



Chipsmall Limited consists of a professional team with an average of over 10 year of expertise in the distribution of electronic components. Based in Hongkong, we have already established firm and mutual-benefit business relationships with customers from,Europe,America and south Asia,supplying obsolete and hard-to-find components to meet their specific needs.

With the principle of “Quality Parts,Customers Priority,Honest Operation,and Considerate Service”,our business mainly focus on the distribution of electronic components. Line cards we deal with include Microchip,ALPS,ROHM,Xilinx,Pulse,ON,Everlight and Freescale. Main products comprise IC,Modules,Potentiometer,IC Socket,Relay,Connector.Our parts cover such applications as commercial,industrial, and automotives areas.

We are looking forward to setting up business relationship with you and hope to provide you with the best service and solution. Let us make a better world for our industry!



## Contact us

Tel: +86-755-8981 8866 Fax: +86-755-8427 6832

Email & Skype: info@chipsmall.com Web: www.chipsmall.com

Address: A1208, Overseas Decoration Building, #122 Zhenhua RD., Futian, Shenzhen, China



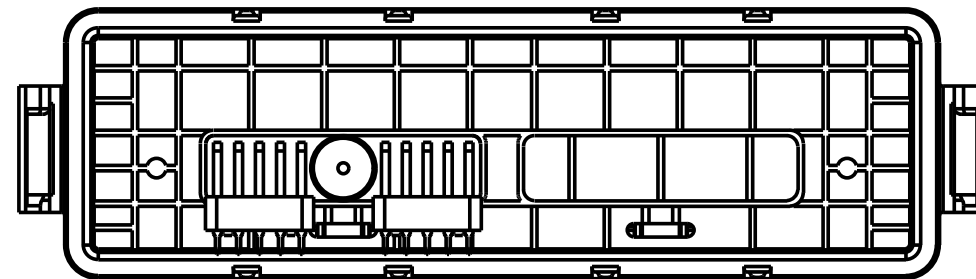
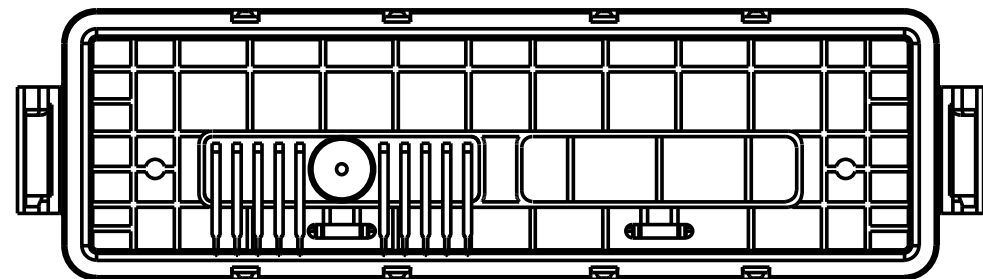
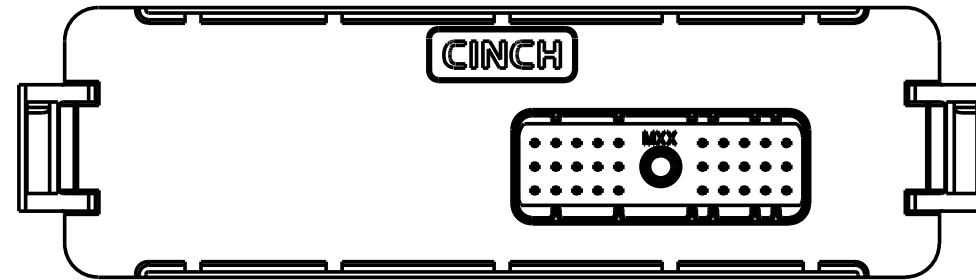
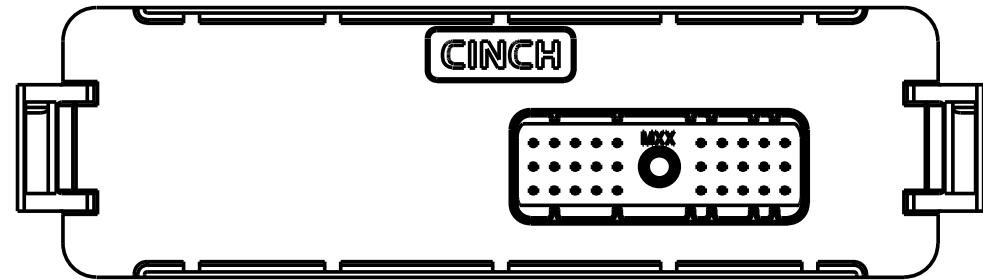
# CINCH PART NUMBER MATRIX

P/N: 581 01 30 045

P/N: 581 01 30 051

30-WAY HEADER ASSEMBLY WITH OUT FERRITE FILTERS

30-WAY HEADER ASSEMBLY WITH FERRITE FILTERS



MATES WITH CINCH HARNESS CONNECTORS P/N:  
581 01 30 029 (30-WAY)

**NOTE:**

1. ALL DIMENSIONS ARE IN INCHES;  
DIMENSIONS INSIDE [.XX] ARE IN mm, AS REF. ONLY.
2. MATERIALS:  
INTERFACE SEAL: SILICONE RUBBER, COLOR BLUE;  
INSULATOR: 30 % GLASS FILLED POLYMER, COLOR BLACK;  
BUSHING: BRASS ALLOY, UNPLATED 10-24 UNC THREAD;  
TERMINAL BLADE: 1.5 mm BRASS WITH TIN OVER NICKEL PLATING;  
FILTERS: FERRITE BLOCKS.
3. ALL HEADERS ARE REFLOW OR WAVE SOLDERING PROCESS, ROHS COMPLIANT.
4. MATES WITH CINCH SHS PUSH-TO-SEAT HARNESS CONNECTORS (SEE TABLE ABOVE).
5. THERMALLY CONDUCTIVE ADHESIVE PASTE SOLD SEPARATELY: RECOMMENDED IS LOCTITE 383.
6. MOSFET SPRING PLATES ARE SOLD SEPARATELY (FOR INSTALLATION REFER TO ENCLOSURE ASSEMBLY INSTRUCTIONS)  
SPRING LABELED AS "L" IS CINCH P/N: 581 00 00 020 AND SPRING LABELED AS "R" IS CINCH P/N: 581 00 00 021.  
(IT IS RECOMMENDED THAT THE 4 SLOTS BE PROTECTED DURING CONFORMAL COATING)
7. STANDARD PACKAGE SIZE: 36 PARTS/CARTON BOX.

**DRAWING REVISIONS**

REV	DOCUMENT	APP	DATE
A	D.O. 05-1217 REL. FOR PRODUCTION	A.C.	9/9/05
B	ECN: 06A069 ADDED SHEET 5 ADDED SHEET 6 MODIFIED SHEET 3 MODIFIED SHEET 4	A.C.	3/24/06
C	ECN: 06A479 REFORMATTED DRAWING PCB LAYOUTS REDRAWN WITH ADDITIONAL KEEP OUT AREAS	A.C.	1/22/07

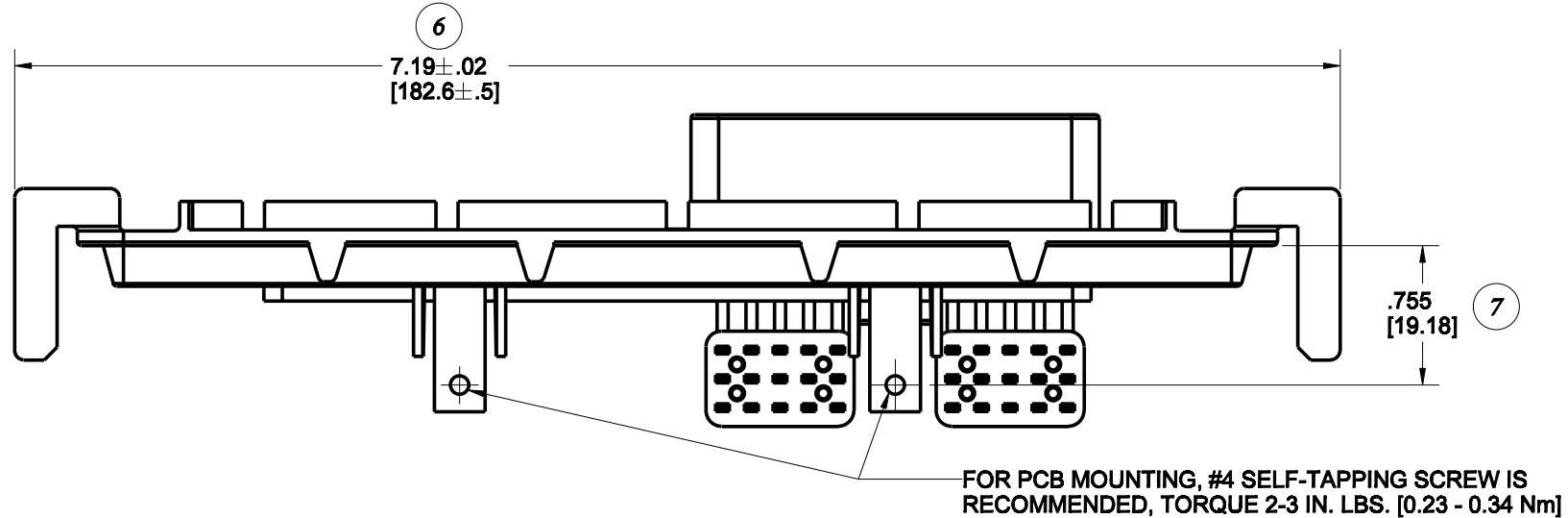
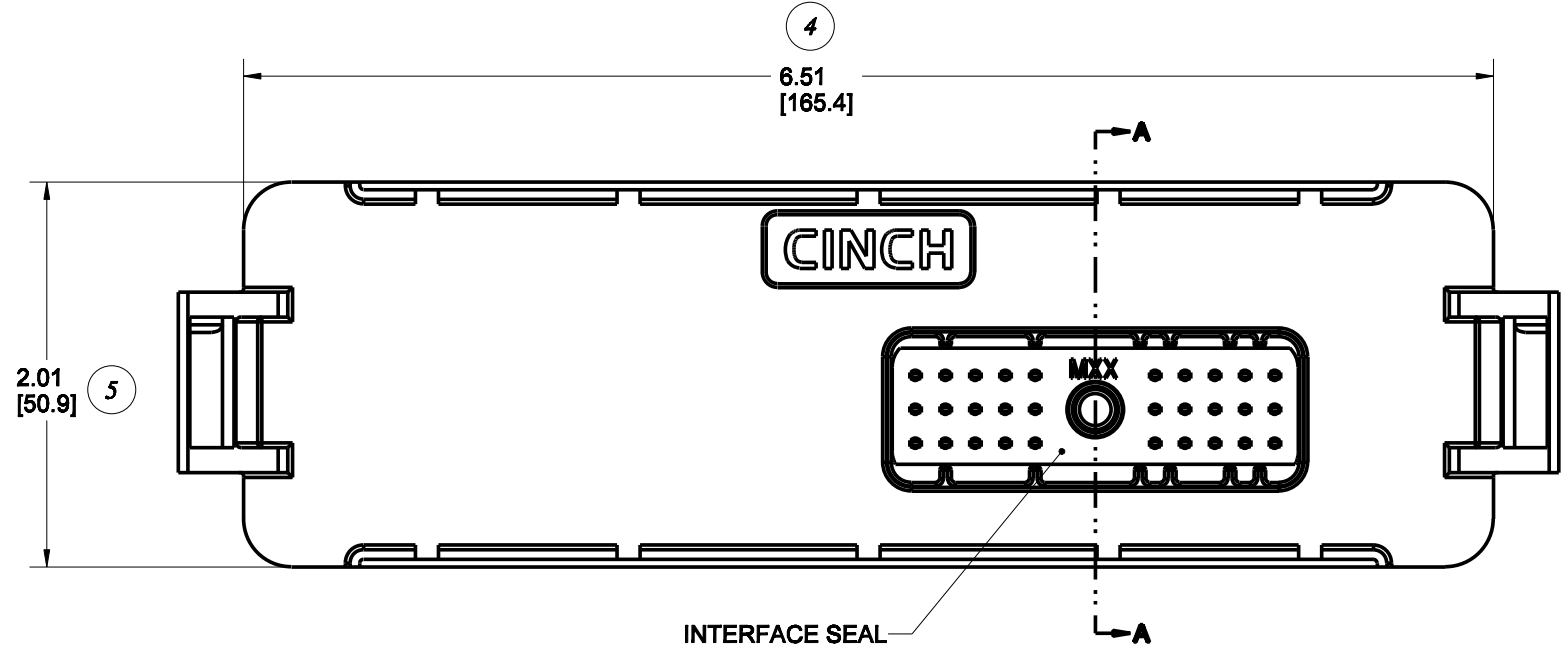
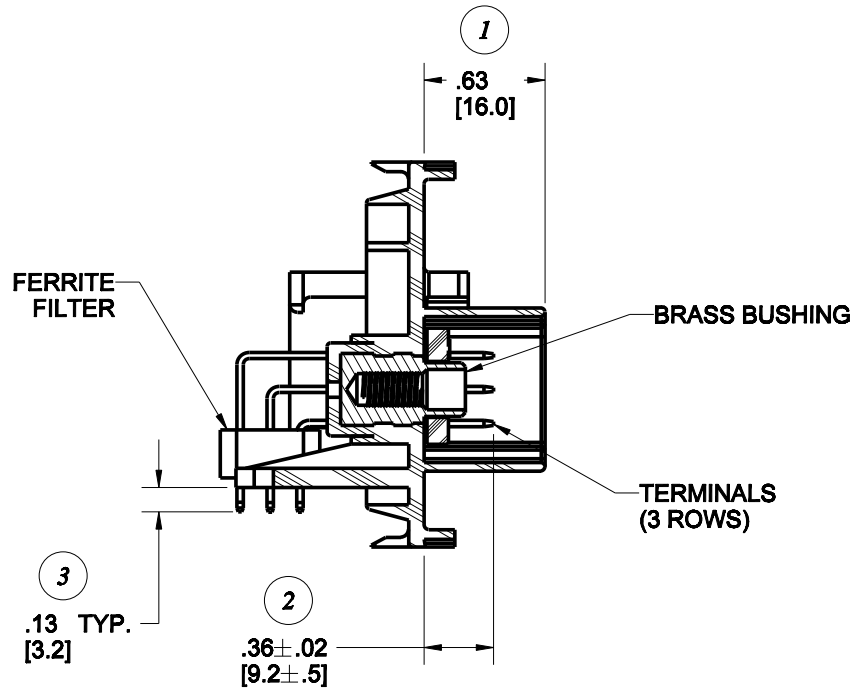
RoHS COMPLIANT

UNITS	ENGLISH	PRO/E	MODELED BY:
DO NOT SCALE DRAWING		DATE	
UNLESS OTHERWISE SPECIFIED: ALL DIMENSIONS ARE IN INCHES	DRAWN BY <b>B. KOSTIC</b>	DATE 9/02/05	TITLE <b>30-WAY HEADERS LE MODICE</b>
FILLET/RADII .02 MAX	DESIGN ENGINEER <b>B. KOSTIC</b>	DATE 9/02/05	MATERIAL SPEC NUMBER CONTROL SPEC NUMBER
TOLERANCES AND LIMITS APPLY OVER ADDITIVE FINISH	DESIGN ENGINEERING MGR. <b>A. CAINES</b>	DATE 9/5/05	PROJECT NUMBER <b>A 14562</b>
THIS DOCUMENT IS THE PROPERTY OF CINCH. NEITHER THIS DOCUMENT NOR ANY OF THE INFORMATION CONTAINED IN IT MAY BE DUPLICATED OR DISCLOSED WITHOUT PRIOR WRITTEN CONSENT OF CINCH.	MFG. ENGINEERING <b>R. GARZA</b>	DATE 9/15/05	CAD FILE NUMBER <b>5810130045</b>
	QUALITY ASSURANCE <b>D. DE LA PENNA</b>	DATE 9/15/05	DRAWING NUMBER <b>581 01 30 045S</b>
		CAGE IDENT NO. <b>71785</b>	SCALE <b>B</b>
		SIZE <b>B</b>	SHEET 1 OF 6

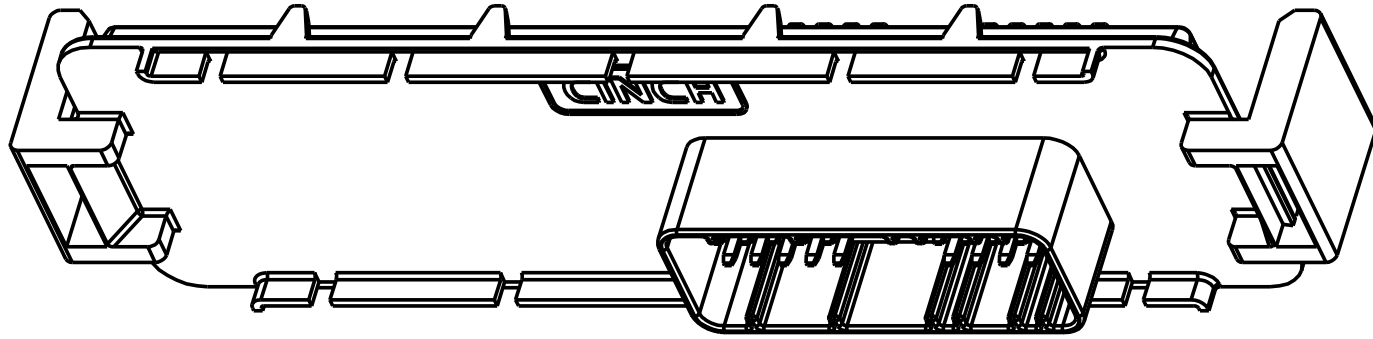
1700 FINLEY RD  
LOMBARD, IL. 60148

**Cinch**

**581 01 30 045S**



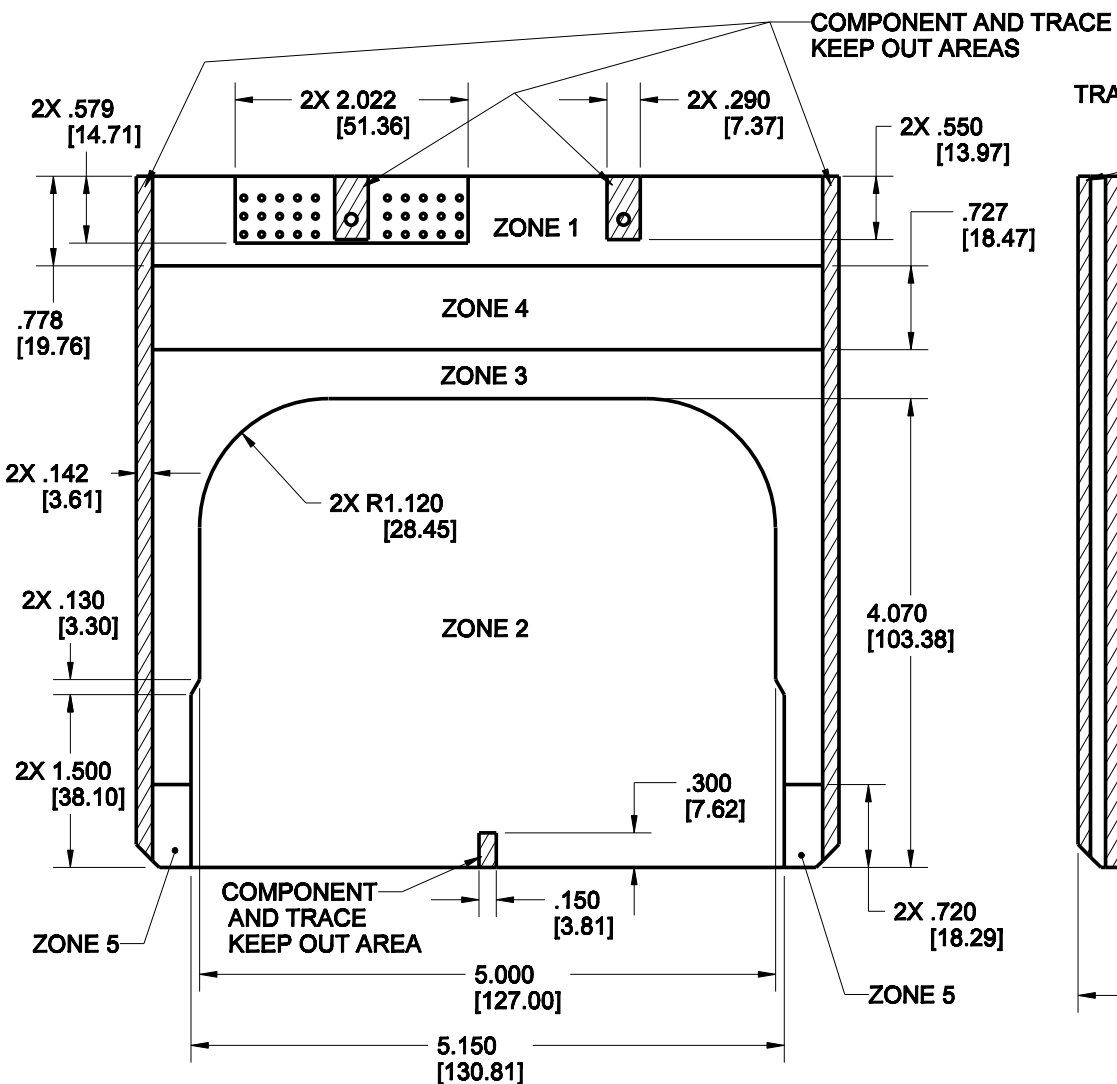
CINCH P/N: 581 01 30 051 SHOWN  
(HEADER WITH FILTERS)



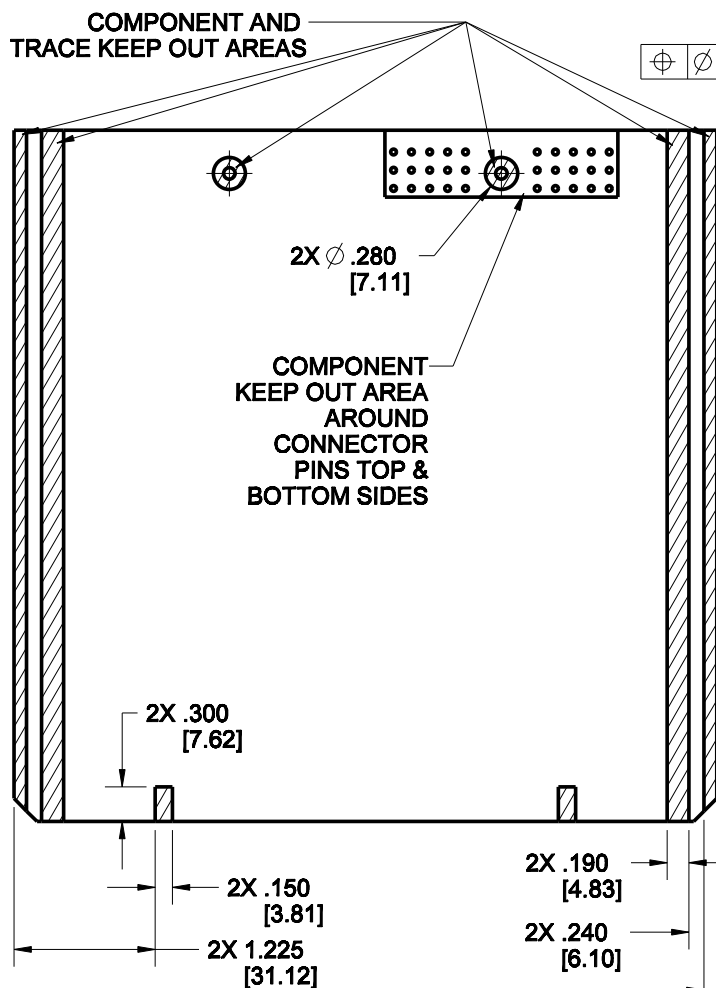
UNITS <b>ENGLISH</b>		<b>Cinch</b>		1700 FINLEY RD LOMBARD, IL 60148	
DO NOT SCALE DRAWING		TITLE <b>30-WAY HEADERS LE MODICE</b>			
UNLESS OTHERWISE SPECIFIED: ALL DIMENSIONS ARE IN INCHES		PRO/E DRAWING			
FILLET/RADI .02 MAX	TOLERANCES X ± .1 .XX ± .01 .XXX ± .005 ANGULAR ± .5	CAD FILE NUMBER <b>5810130045</b>	DRAWING NUMBER <b>581 01 30 045S</b>	REV <b>C</b>	
THIS DOCUMENT IS THE PROPERTY OF CINCH. NEITHER THIS DOCUMENT NOR ANY OF THE INFORMATION CONTAINED IN IT MAY BE DUPLICATED OR DISCLOSED WITHOUT PRIOR WRITTEN CONSENT OF CINCH.		CAGE IDENT NO. <b>71785</b>	SCALE <b>B</b>	1:1	SHEET 2 OF 6

# PCB LAY-OUT WITHOUT HEAT SINKS

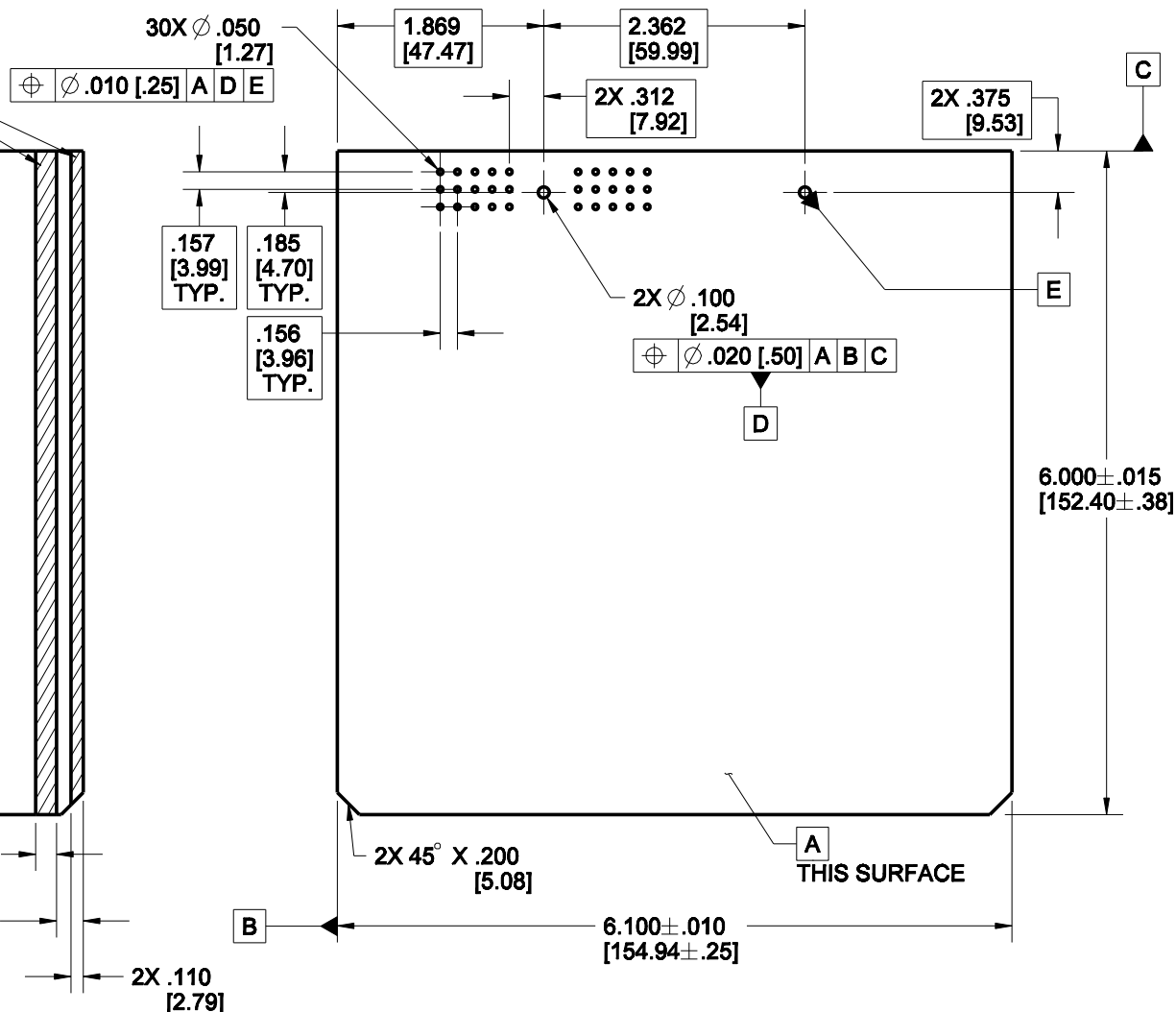
## PCB TOP SIDE GENERAL ZONING & KEEP OUT AREAS



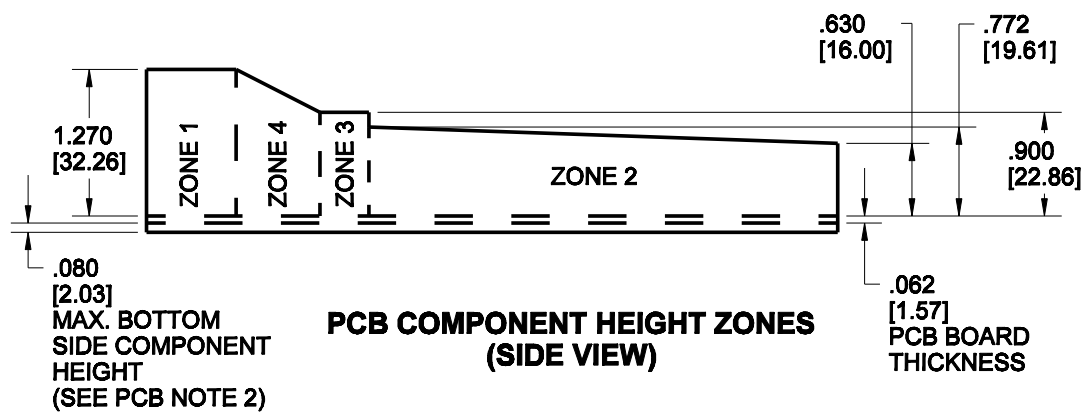
## PCB BOTTOM SIDE GENERAL ZONING & KEEP OUT AREAS



## PCB OVERALL DIMENSIONS AND HOLE LOCATIONS



## PCB COMPONENT HEIGHT ZONES (SIDE VIEW)



## PCB COMPONENTS HEIGHT LIMIT

	ZONE 1	ZONE 2	ZONE 3	ZONE 4	ZONE 5
MAX. HEIGHT FOR COMPONENTS (ABOVE PCB)	1.270"	SEE PCB NOTE 3	.900"	SEE PCB NOTE 3	.420"

### PCB NOTES:

- ON BOTTOM SIDE OF THE PCB, COMPONENTS OR TRACES MUST BE MIN. .100" AWAY FROM THE EDGE OF THE PCB.
- THE BOTTOM SIDE OF THE PCB SHOULD NOT HAVE COMPONENTS OR LEADS THAT EXTEND HIGHER THAN .080" (SEE PG. 6 SIDE VIEW).
- AREA HAS VARIABLE HEIGHT. SEE PCB COMPONENT HEIGHT ZONES VIEW FOR DETAILS.

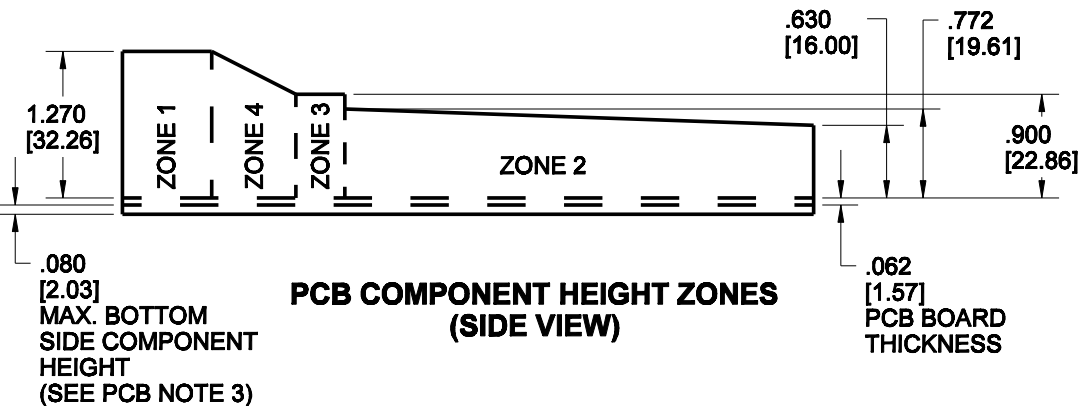
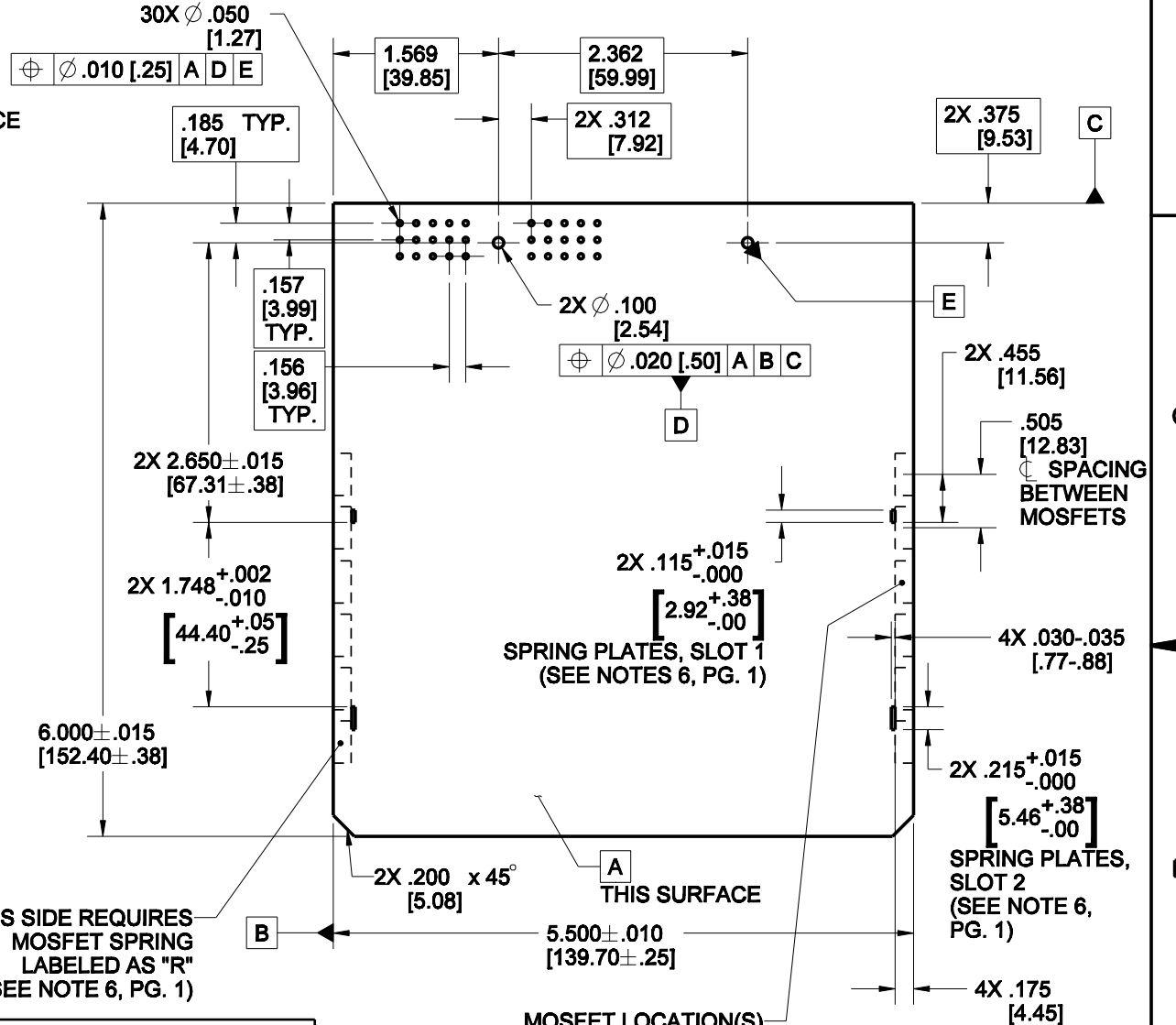
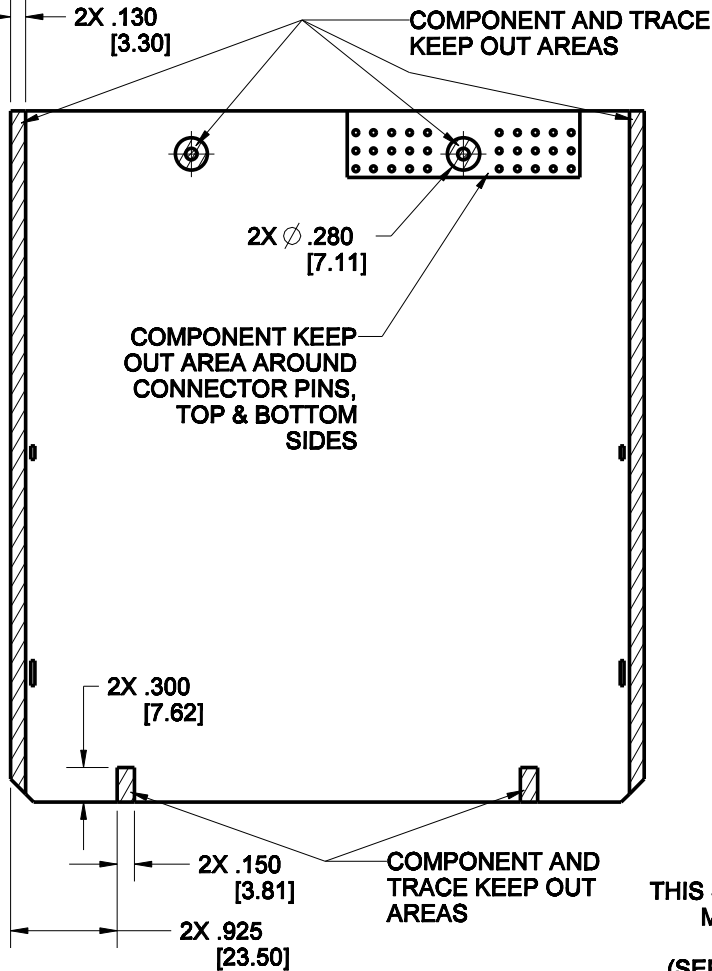
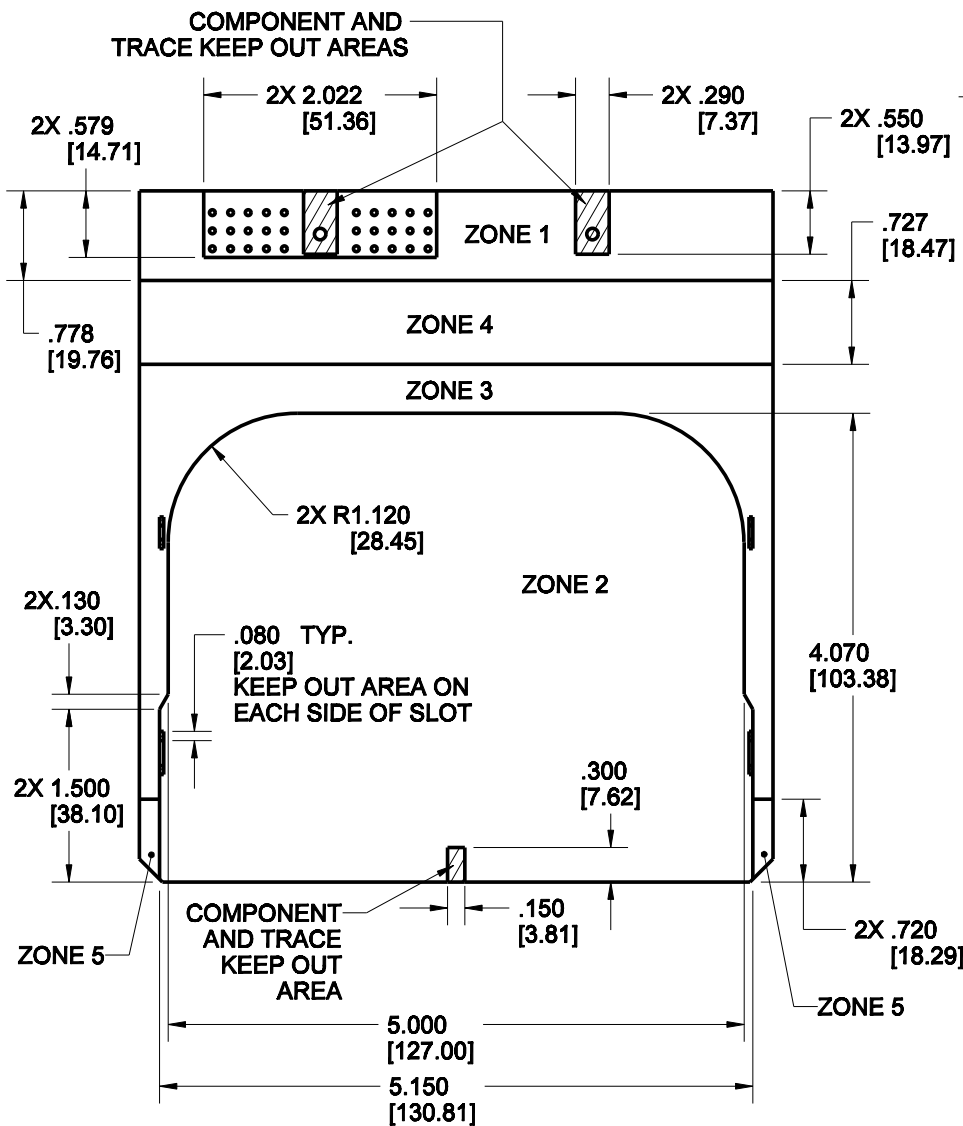
UNITS	ENGLISH		<b>Cinch</b>		1700 FINLEY RD LOMBARD, IL. 60148
DO NOT SCALE DRAWING			TITLE		
UNLESS OTHERWISE SPECIFIED: ALL DIMENSIONS ARE IN INCHES			30-WAY HEADERS LE MODICE		
FILLET/RADI .02 MAX			TOLERANCES		
TOLERANCES AND LIMITS APPLY OVER ADDITIVE FINISH			X ± .1 .XX ± .01 .00X ± .005 ANGULAR ± .5		
THIS DOCUMENT IS THE PROPERTY OF CINCH. NEITHER THIS DOCUMENT NOR ANY OF THE INFORMATION CONTAINED IN IT MAY BE DUPLICATED OR DISCLOSED WITHOUT PRIOR WRITTEN CONSENT OF CINCH.					
CAD FILE NUMBER	5810130045	DRAWING NUMBER	<b>581 01 30 045S</b>		REV
CAGE IDENT NO.	71785	SIZE	B	SCALE	C
			3:5	SHEET 3 OF 6	

# PCB LAY-OUT WITH TWO HEAT SINKS

## PCB TOP SIDE GENERAL ZONING & KEEP OUT AREAS

## PCB BOTTOM SIDE GENERAL ZONING & KEEP OUT AREAS

## PCB OVERALL DIMENSIONS AND HOLE LOCATIONS



PCB COMPONENTS HEIGHT LIMIT					
	ZONE 1	ZONE 2	ZONE 3	ZONE 4	ZONE 5
MAX. HEIGHT FOR COMPONENTS (ABOVE PCB)	1.270"	SEE PCB NOTE 4	.900"	SEE PCB NOTE 4	.420"

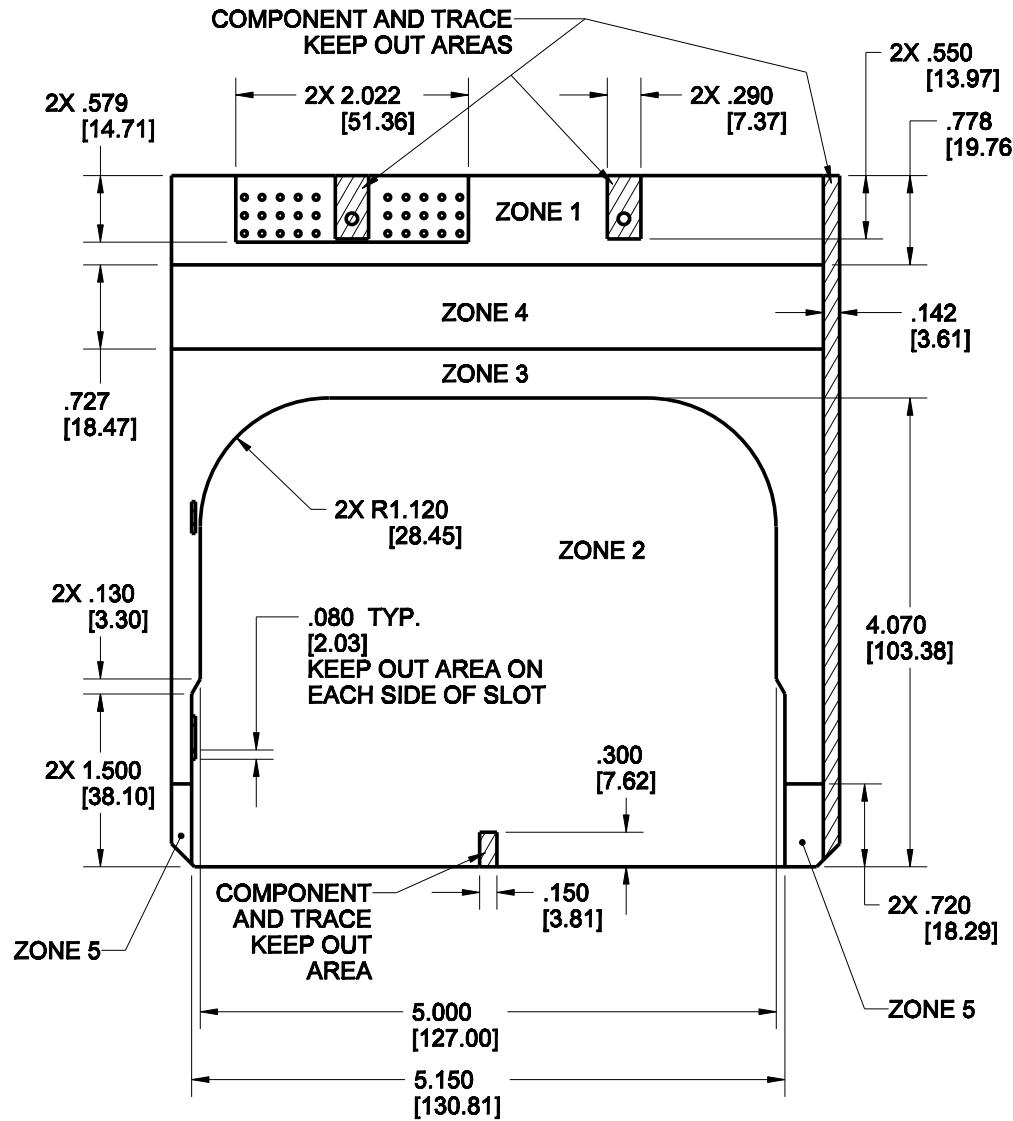
**PCB NOTES:**

- IF MOSFET SPRINGS ARE USED, ZONE 3 SHOULD CONTAIN ONLY MOSFETS AND TRACES BETWEEN THE SPRINGS AND EDGE OF THE BOARD.
- ON BOTTOM SIDE OF THE PCB, COMPONENTS OR TRACES MUST BE MIN. .100" AWAY FROM THE EDGE OF THE PCB.
- THE BOTTOM SIDE OF THE PCB SHOULD NOT HAVE COMPONENTS OR LEADS THAT EXTEND HIGHER THAN .080" (SEE PG. 6 SIDE VIEW).
- AREA HAS VARIABLE HEIGHT. SEE PCB COMPONENT HEIGHT ZONES VIEW FOR DETAILS.

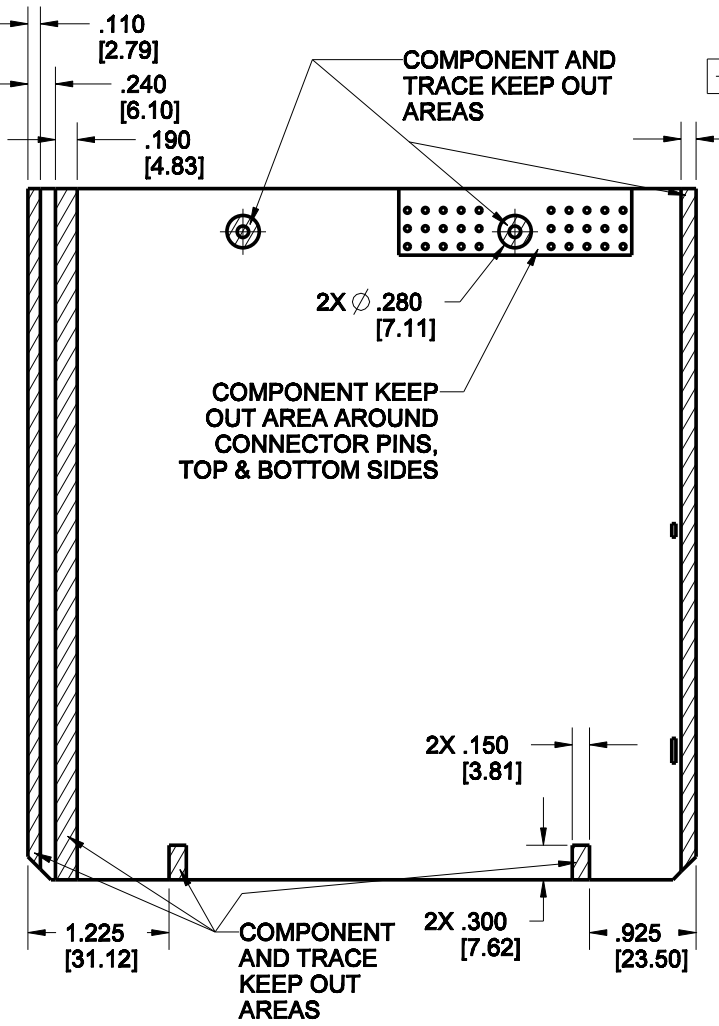
UNITS	ENGLISH	<b>Cinch</b>	1700 FINLEY RD LOMBARD, IL 60148
DO NOT SCALE DRAWING		30-WAY HEADERS LE MODICE	
UNLESS OTHERWISE SPECIFIED: ALL DIMENSIONS ARE IN INCHES		TITLE	
FILLET/RADIUS .02 MAX	TOLERANCES X $\pm$ .1 XX $\pm$ .01 XXX $\pm$ .005 ANGULAR $\pm$ .5	PRO/E DRAWING	
THIS DOCUMENT IS THE PROPERTY OF CINCH. NEITHER THIS DOCUMENT NOR ANY OF THE INFORMATION CONTAINED IN IT MAY BE DUPLICATED OR DISCLOSED WITHOUT PRIOR WRITTEN CONSENT OF CINCH.		CAD FILE NUMBER <b>5810130045</b>	DRAWING NUMBER <b>581 01 30 045S</b>
CAGE IDENT NO. <b>71785</b>	SIZE <b>B</b>	SCALE 3:5	REV <b>C</b> SHEET 4 OF 6

# PCB LAY-OUT WITH ONE HEAT SINK

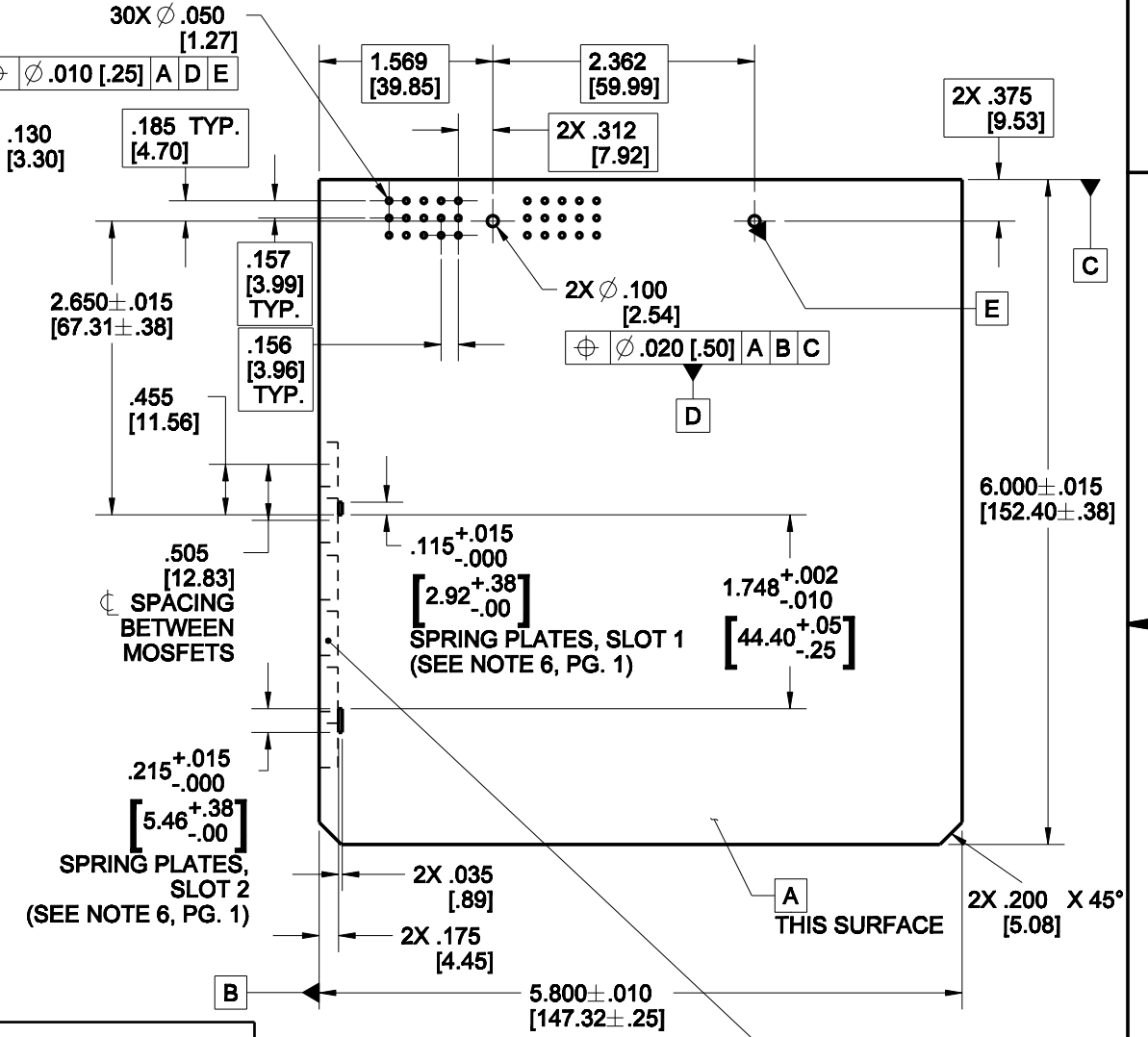
## PCB TOP SIDE GENERAL ZONING & KEEP OUT AREAS



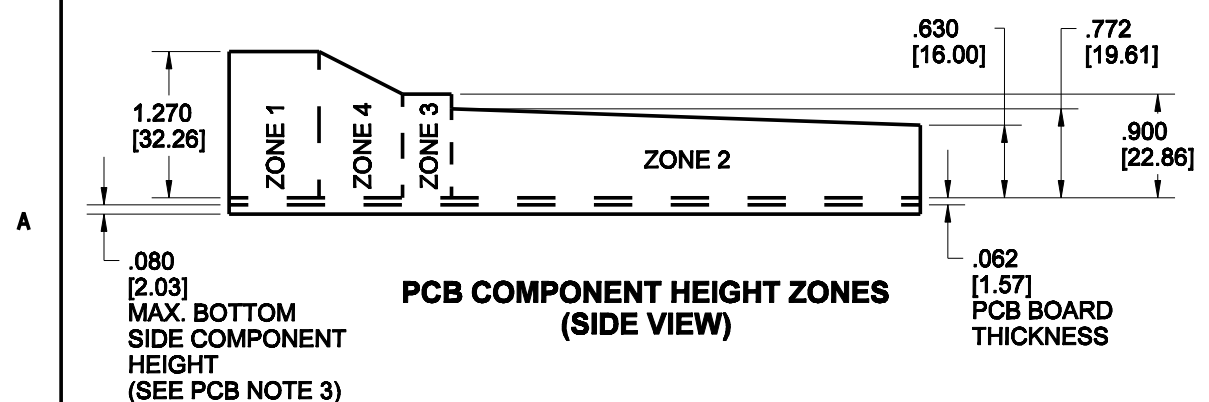
## PCB BOTTOM SIDE GENERAL ZONING & KEEP OUT AREAS



## PCB OVERALL DIMENSIONS AND HOLE LOCATIONS



## PCB COMPONENT HEIGHT ZONES (SIDE VIEW)



## PCB COMPONENTS HEIGHT LIMIT

	ZONE 1	ZONE 2	ZONE 3	ZONE 4	ZONE 5
MAX. HEIGHT FOR COMPONENTS (ABOVE PCB)	1.270"	SEE PCB NOTE 4	.900"	SEE PCB NOTE 4	.420"

### PCB NOTES:

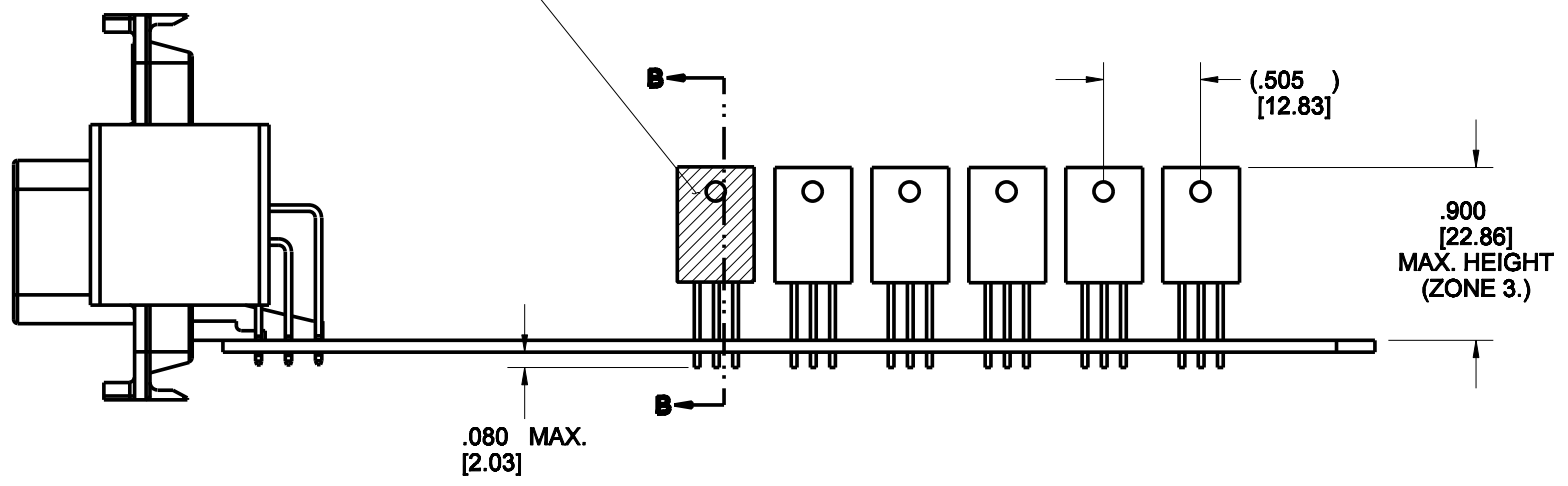
- IF MOSFET SPRINGS ARE USED, ZONE 3 SHOULD CONTAIN ONLY MOSFETS AND TRACES BETWEEN THE SPRINGS AND EDGE OF THE BOARD.
- ON BOTTOM SIDE OF THE PCB, COMPONENTS OR TRACES MUST BE MIN. .100" AWAY FROM THE EDGE OF THE PCB.
- THE BOTTOM SIDE OF THE PCB SHOULD NOT HAVE COMPONENTS OR LEADS THAT EXTEND HIGHER THAN .080" (SEE PG. 6 SIDE VIEW).
- AREA HAS VARIABLE HEIGHT. SEE PCB COMPONENT HEIGHT ZONES VIEW FOR DETAILS.

UNITS	ENGLISH				1700 FINLEY RD LOMBARD, IL 60148	
DO NOT SCALE DRAWING					TITLE	
UNLESS OTHERWISE SPECIFIED: ALL DIMENSIONS ARE IN INCHES			TOLERANCES		X ± .1	
FILLET/RADI .02 MAX			TOLERANCES AND LIMITS APPLY OVER ADDITIVE FINISH		.XX ± .01	
					.00X ± .005	
					ANGULAR ± .5	
THIS DOCUMENT IS THE PROPERTY OF CINCH. NEITHER THIS DOCUMENT NOR ANY OF THE INFORMATION CONTAINED IN IT MAY BE DUPLICATED OR DISCLOSED WITHOUT PRIOR WRITTEN CONSENT OF CINCH.			CAGE IDENT NO.		REV	
			71785		C	
			SCALE		3:5	
			SHEET		5 OF 6	

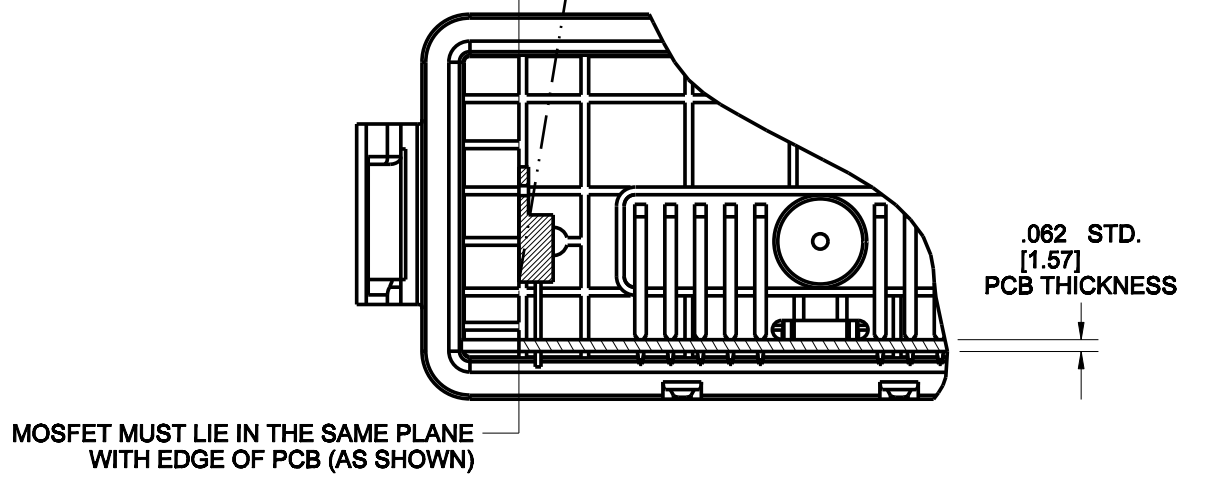
MOSFET LOCATION(S) MAX. 6 TO-220 STYLE MOSFETS THIS SIDE ONLY THIS SIDE REQUIRES MOSFET SPRING LABELED AS "R" (SEE NOTE 6, PG. 1)

APPLY THIN BEAD OF THERMALLY CONDUCTIVE ADHESIVE PASTE TO ENTIRE SURFACE OF EVERY MOSFET (SEE NOTE 5.)

FOR EASE OF ASSEMBLY IT IS RECOMMENDED THAT MOSFET(S) BE TILTED UP TO 10° IN POSITIVE DIRECTION (SEE DOTTED LINE)



**SIDE VIEW  
REQUIRED TO-220 PACKAGE PROFILE**



**SECTION B-B**

UNITS <b>ENGLISH</b>		<b>Cinch</b>		1700 FINLEY RD LOMBARD, IL 60148	
DO NOT SCALE DRAWING					
UNLESS OTHERWISE SPECIFIED: ALL DIMENSIONS ARE IN INCHES		TITLE <b>30-WAY HEADERS LE MODICE</b>			
FILLET/RADI .02 MAX		TOLERANCES X ± .1 .XX ± .01 .XXX ± .005 ANGULAR ± .5			
TOLERANCES AND LIMITS APPLY OVER ADDITIVE FINISH		PRO/E DRAWING			
THIS DOCUMENT IS THE PROPERTY OF CINCH. NEITHER THIS DOCUMENT NOR ANY OF THE INFORMATION CONTAINED IN IT MAY BE DUPLICATED OR DISCLOSED WITHOUT PRIOR WRITTEN CONSENT OF CINCH.		CAD FILE NUMBER <b>5810130045</b>	DRAWING NUMBER <b>581 01 30 045S</b>		REV <b>C</b>
CAGE IDENT NO. <b>71785</b>	SIZE <b>B</b>	SCALE 1:1	SHEET 6 OF 6		