



Chipsmall Limited consists of a professional team with an average of over 10 year of expertise in the distribution of electronic components. Based in Hongkong, we have already established firm and mutual-benefit business relationships with customers from,Europe,America and south Asia,supplying obsolete and hard-to-find components to meet their specific needs.

With the principle of "Quality Parts,Customers Priority,Honest Operation,and Considerate Service",our business mainly focus on the distribution of electronic components. Line cards we deal with include Microchip,ALPS,ROHM,Xilinx,Pulse,ON,Everlight and Freescale. Main products comprise IC,Modules,Potentiometer,IC Socket,Relay,Connector.Our parts cover such applications as commercial,industrial, and automotives areas.

We are looking forward to setting up business relationship with you and hope to provide you with the best service and solution. Let us make a better world for our industry!



Contact us

Tel: +86-755-8981 8866 Fax: +86-755-8427 6832

Email & Skype: info@chipsmall.com Web: www.chipsmall.com

Address: A1208, Overseas Decoration Building, #122 Zhenhua RD., Futian, Shenzhen, China



8

7

6

5

4

3

2

1

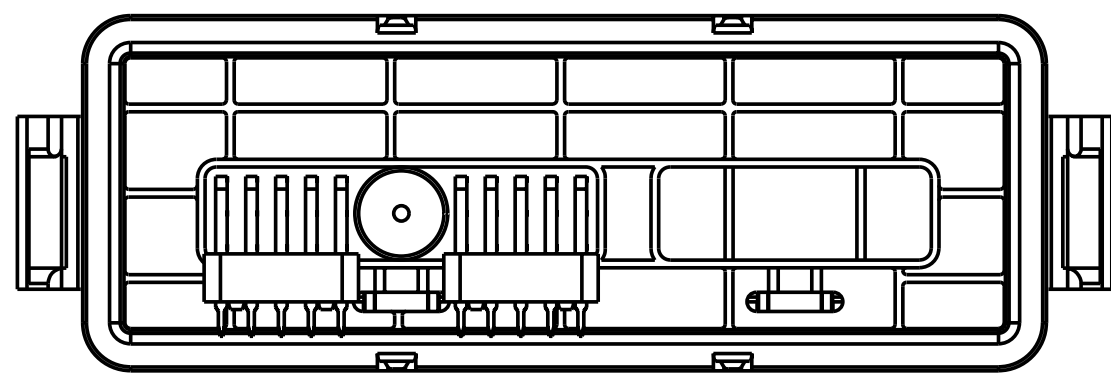
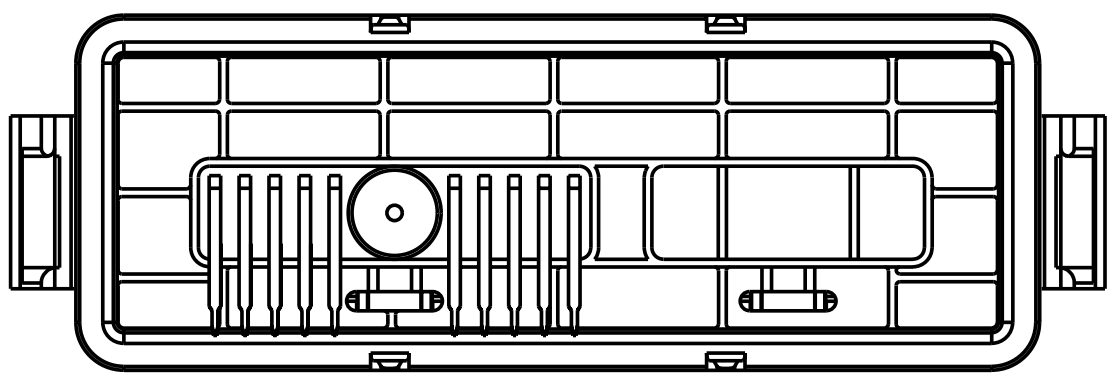
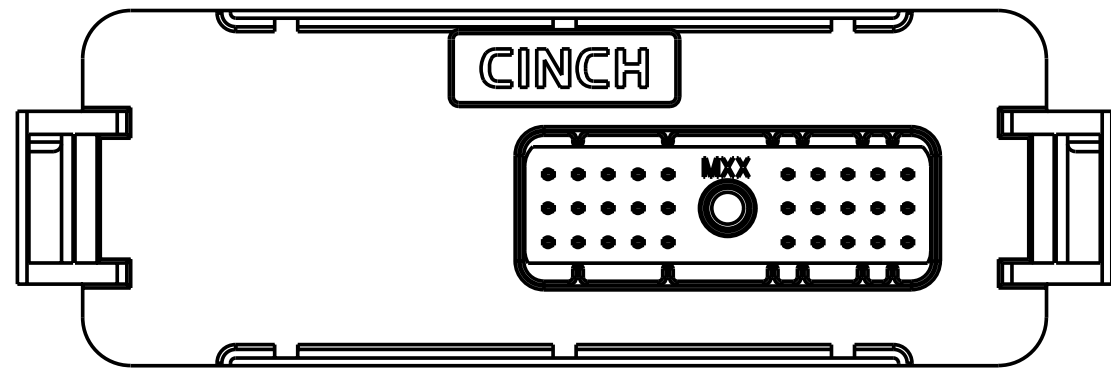
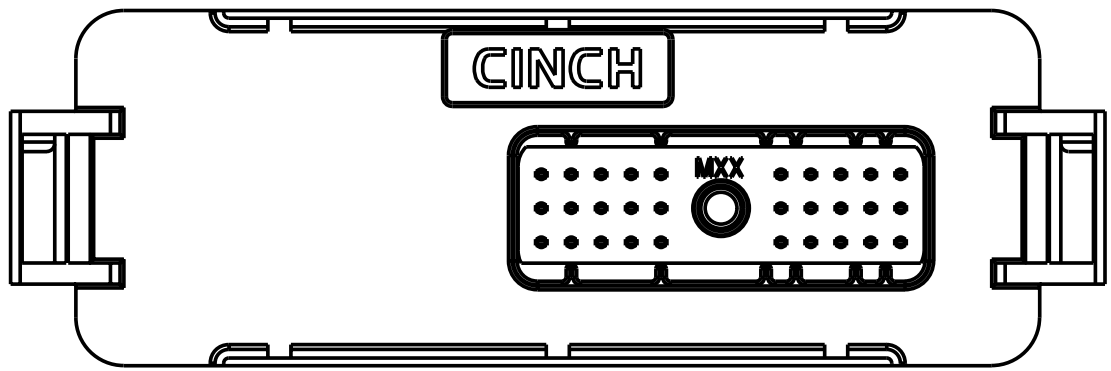
CINCH PART NUMBER MATRIX

P/N: 581 01 30 044

P/N: 581 01 30 046

30-WAY HEADER ASSEMBLY WITH OUT FERRITE FILTERS

30-WAY HEADER ASSEMBLY WITH FERRITE FILTERS



MATES WITH CINCH HARNESS CONNECTORS P/N:
581 01 30 029 (30-WAY)

DRAWING REVISIONS			
REV	DOCUMENT	APP	DATE
A	REL. FOR PRODUCTION D.O. 05-1157	A.C.	7/21/05
B	ECN: 05A468 ADDED LEGS AND ADDED SLOTS TO RIBS	A.C.	9/27/05
C	ECN: 06A032 ADDED SHEET 5 ADDED SHEET 6 MODIFIED SHEET 3 MODIFIED SHEET 4	A.C.	3/23/06
D	ECN: 06A409 REFORMATTED DRAWING PCB LAYOUTS REDRAWN WITH ADDITIONAL KEEP OUT AREAS	A.C.	9/29/06

NOTE:

- ALL DIMENSIONS ARE IN INCHES;
DIMENSION INSIDE [.XX] ARE IN MM, AS REF. ONLY.
- MATERIALS:
INTERFACE SEAL: SILICONE RUBBER, COLOR BLUE;
INSULATOR: 30 % GLASS FILLED POLYMER, COLOR BLACK;
BUSHING: BRASS ALLOY, UNPLATED 10-24 UNC THREAD;
TERMINAL BLADE: 1.5 MM BRASS WITH TIN OVER NICKEL PLATING;
FILTERS: FERRITE BLOCKS.
- ALL HEADERS ARE REFLOW OR WAVE SOLDERING PROCESS, ROHS COMPLIANT.
- MATES WITH CINCH SHS PUSH-TO-SEAT HARNESS CONNECTORS (SEE TABLE ABOVE).
- THERMALLY CONDUCTIVE ADHESIVE PASTE SOLD SEPARATLY: RECOMMENDED IS LOCTITE 383.
- MOSFET SPRING PLATES ARE SOLD SEPARATLY (FOR INSTALLATION REFER TO ENCLOSURE ASSEMBLY INSTRUCTIONS)
SPRING LABELED AS "L" IS CINCH P/N: 581 00 00 020 AND SPRING LABELED AS "R" IS CINCH P/N: 581 00 00 021.
(IT IS RECOMMENDED THAT THE 4 SLOTS BE PROTECTED DURING CONFORMAL COATING)
- STANDARD PACKAGE SIZE: 72 PARTS/CARTON BOX.

UNITS		RoHS COMPLIANT		MODELED BY:	
ENGLISH		PRO/E		Cinch	
DO NOT SCALE DRAWING		DRAWN BY B. KOSTIC		DATE 09/03/04	
UNLESS OTHERWISE SPECIFIED: ALL DIMENSIONS ARE IN INCHES		DESIGN ENGINEER B. KOSTIC		TITLE 30-WAY HEADERS MODICE SE	
FILLET/RADII .02 MAX		DESIGN ENGINEERING MGR. A. CAINES		MATERIAL SEE NOTE 2.	
TOLERANCES X ± .1 XX ± .01 XXX ± .005 ANGULAR ± .5°		DATE 11/18/04		CONTROL SPEC NUMBER A14562	
TOLERANCES AND LIMITS APPLY OVER ADDITIVE FINISH		MFG. ENGINEERING R. GARZA		MATERIAL SPEC NUMBER FINISH PROJECT NUMBER	
THIS DOCUMENT IS THE PROPERTY OF CINCH. NEITHER THIS DOCUMENT NOR ANY OF THE INFORMATION CONTAINED IN IT MAY BE DUPLICATED OR DISCLOSED WITHOUT PRIOR WRITTEN CONSENT OF CINCH.		DATE 11/18/04		DRAWING NUMBER 581 01 30 044 S	
		QUALITY ASSURANCE R. QUIROZ		CAGE IDENT NO. 71785	
				SCALE 1:1	
				SHEET 1 OF 6	

8

7

6

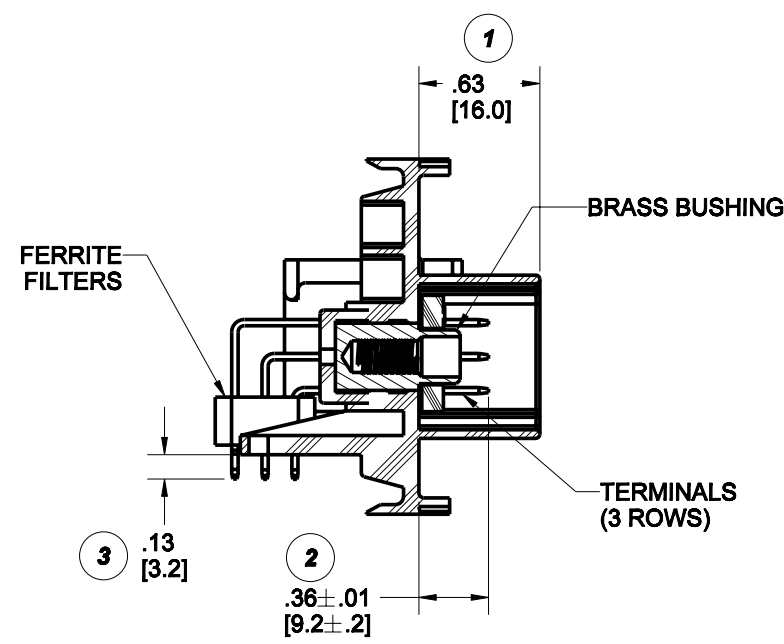
5

4

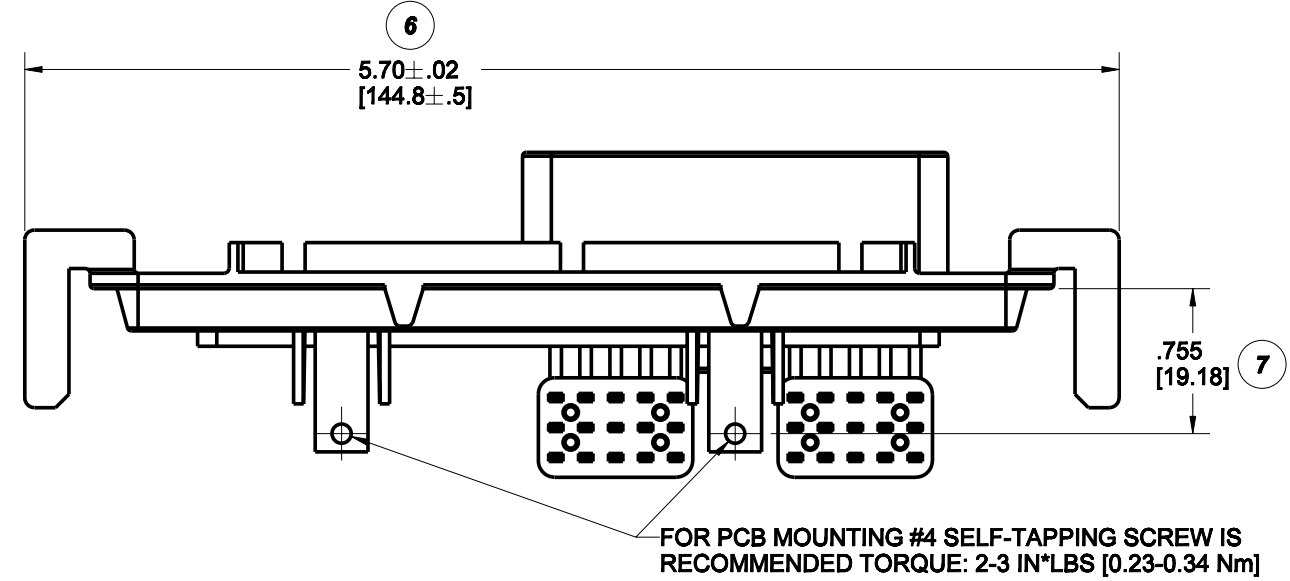
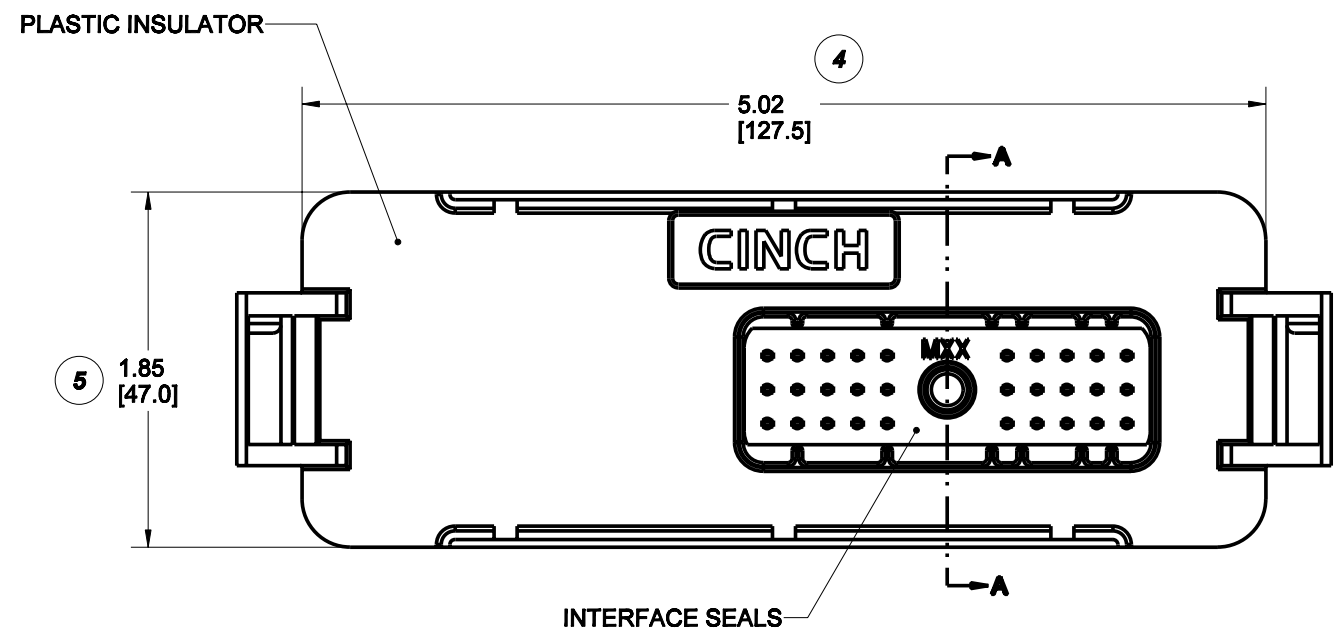
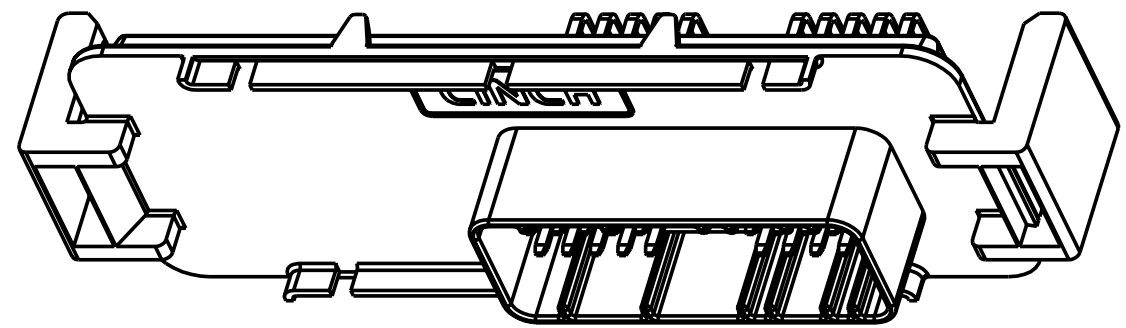
3

2

1



SECTION A-A

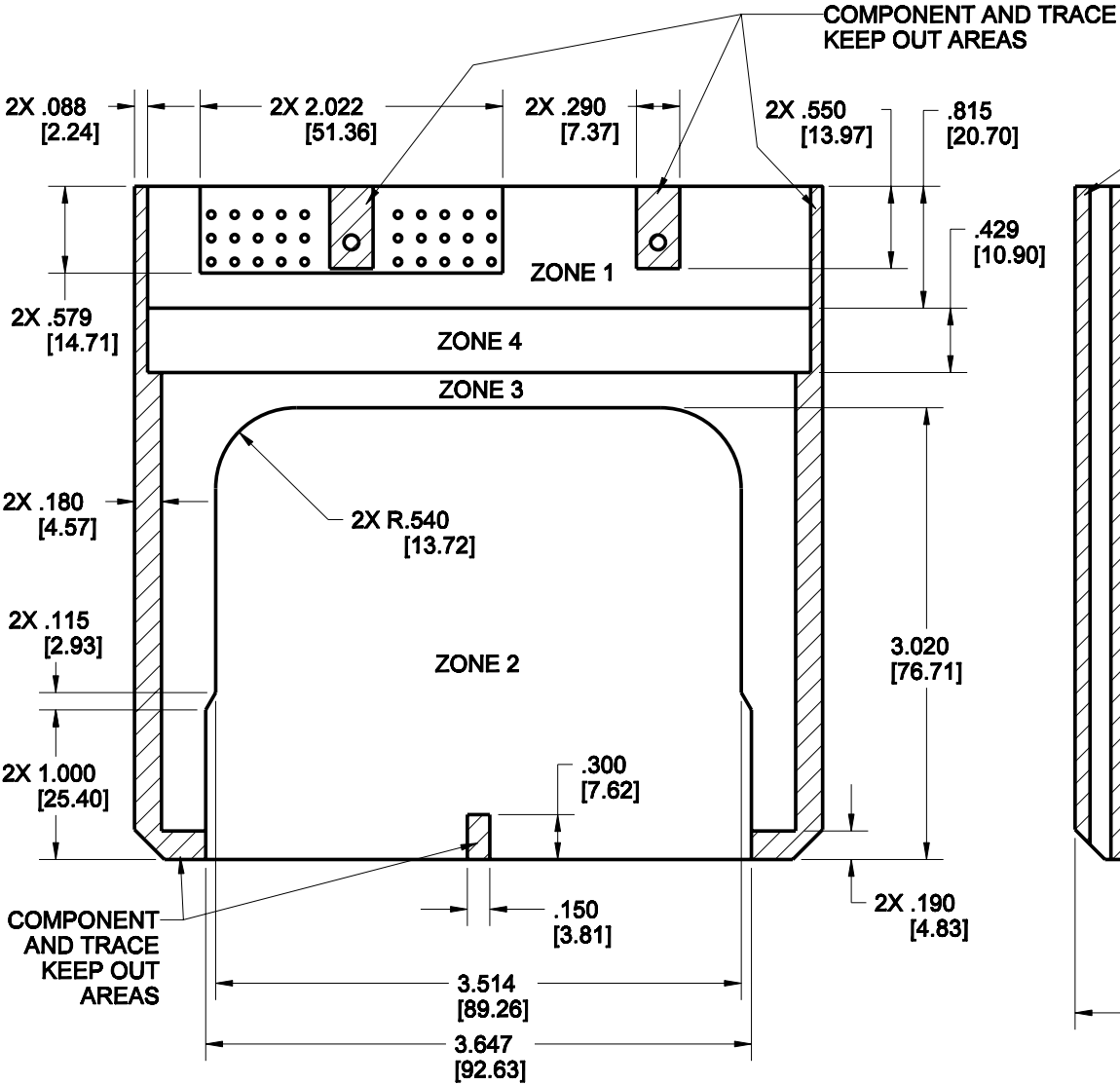


CINCH P/N: 581 01 30 046 SHOWN
(HEADER WITH FILTERS)

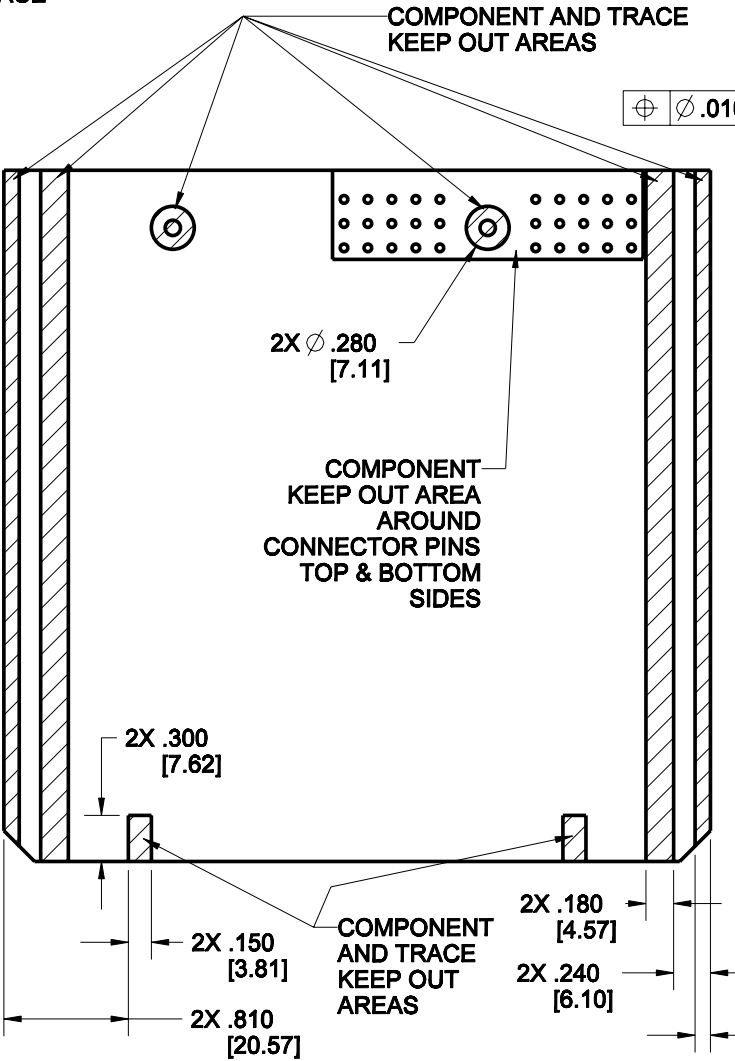
UNITS ENGLISH	Cinch		1700 FINLEY RD LOMBARD, IL 60148
DO NOT SCALE DRAWING	TITLE 30-WAY HEADERS MODICE SE		
UNLESS OTHERWISE SPECIFIED: ALL DIMENSIONS ARE IN INCHES	PRO/E DRAWING		
FILLET/RADII .02 MAX	TOLERANCES X ± .1 .XX ± .01 .XXX ± .005 ANGULAR ± .5°	CAD FILE NUMBER 58101300448_HEADERS	DRAWING NUMBER 581 01 30 044 S
TOLERANCES AND LIMITS APPLY OVER ADDITIVE FINISH	THIS DOCUMENT IS THE PROPERTY OF CINCH. NEITHER THIS DOCUMENT NOR ANY OF THE INFORMATION CONTAINED IN IT MAY BE DUPLICATED OR DISCLOSED WITHOUT PRIOR WRITTEN CONSENT OF CINCH.	CAGE IDENT NO. 71785	REV D
	SIZE B	SCALE 1:1	SHEET 2 OF 6

PCB LAYOUT WITHOUT HEAT SINKS

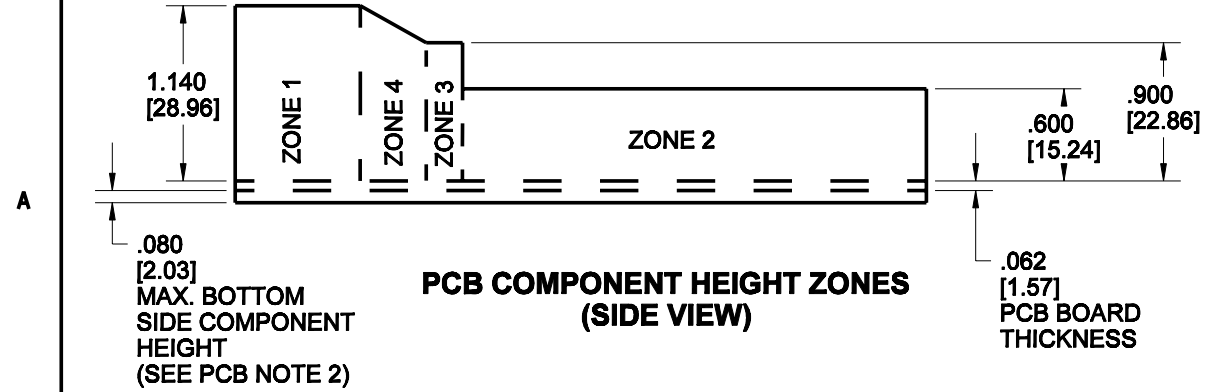
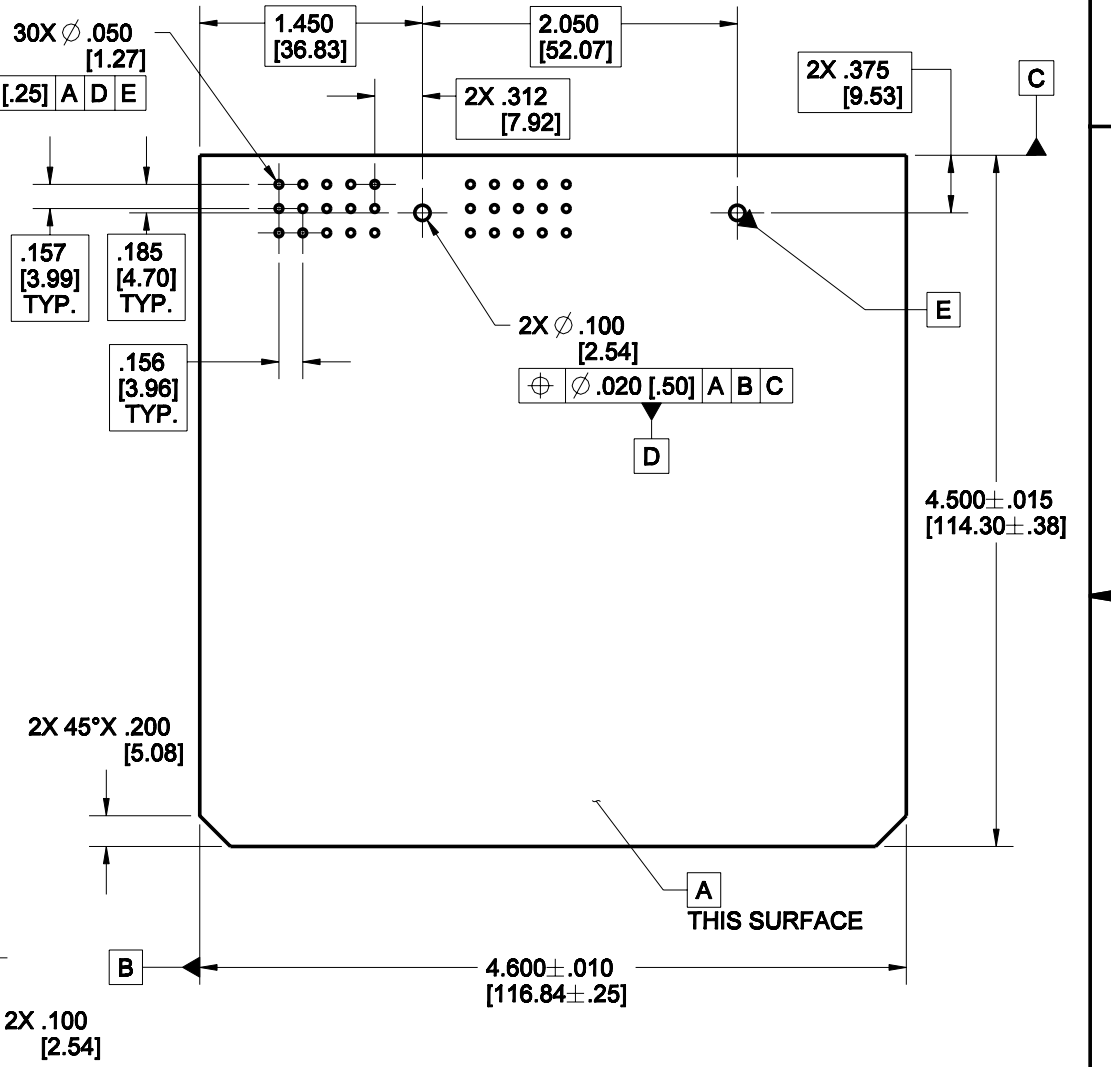
PCB TOP SIDE GENERAL ZONING & KEEP OUT AREAS



PCB BOTTOM SIDE GENERAL ZONING & KEEP OUT AREAS



PCB OVERALL DIMENSIONS AND HOLE LOCATIONS



PCB COMPONENTS HEIGHT LIMIT				
	ZONE 1	ZONE 2	ZONE 3	ZONE 4
MAX. HEIGHT FOR COMPONENTS (ABOVE PCB)	1.140"	.600"	.900"	SEE PCB NOTE 3

PCB NOTES:

- ON BOTTOM SIDE OF THE PCB, COMPONENTS OR TRACES MUST BE MIN. .100" AWAY FROM THE EDGE OF THE PCB.
- THE BOTTOM SIDE OF THE PCB SHOULD NOT HAVE COMPONENTS OR LEADS THAT EXTEND HIGHER THAN .080" (SEE PG. 6 SIDE VIEW).
- AREA HAS VARIABLE HEIGHT. SEE PCB COMPONENT HEIGHT ZONES VIEW FOR DETAILS.

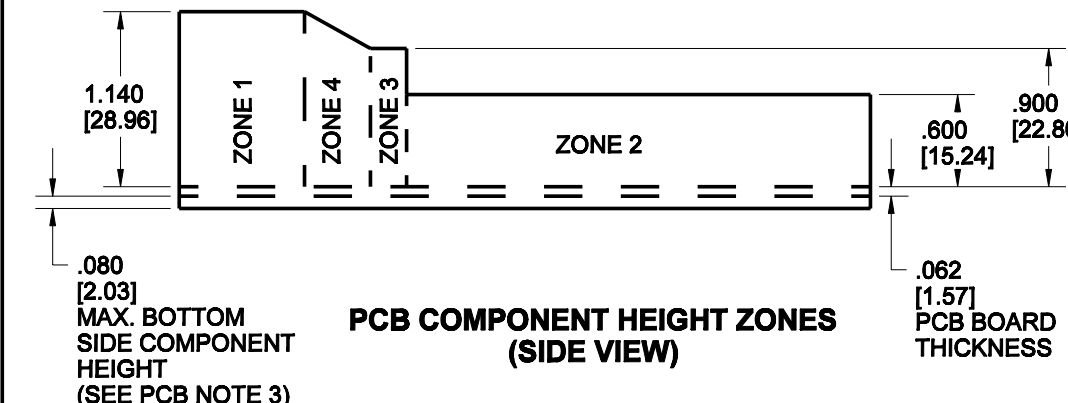
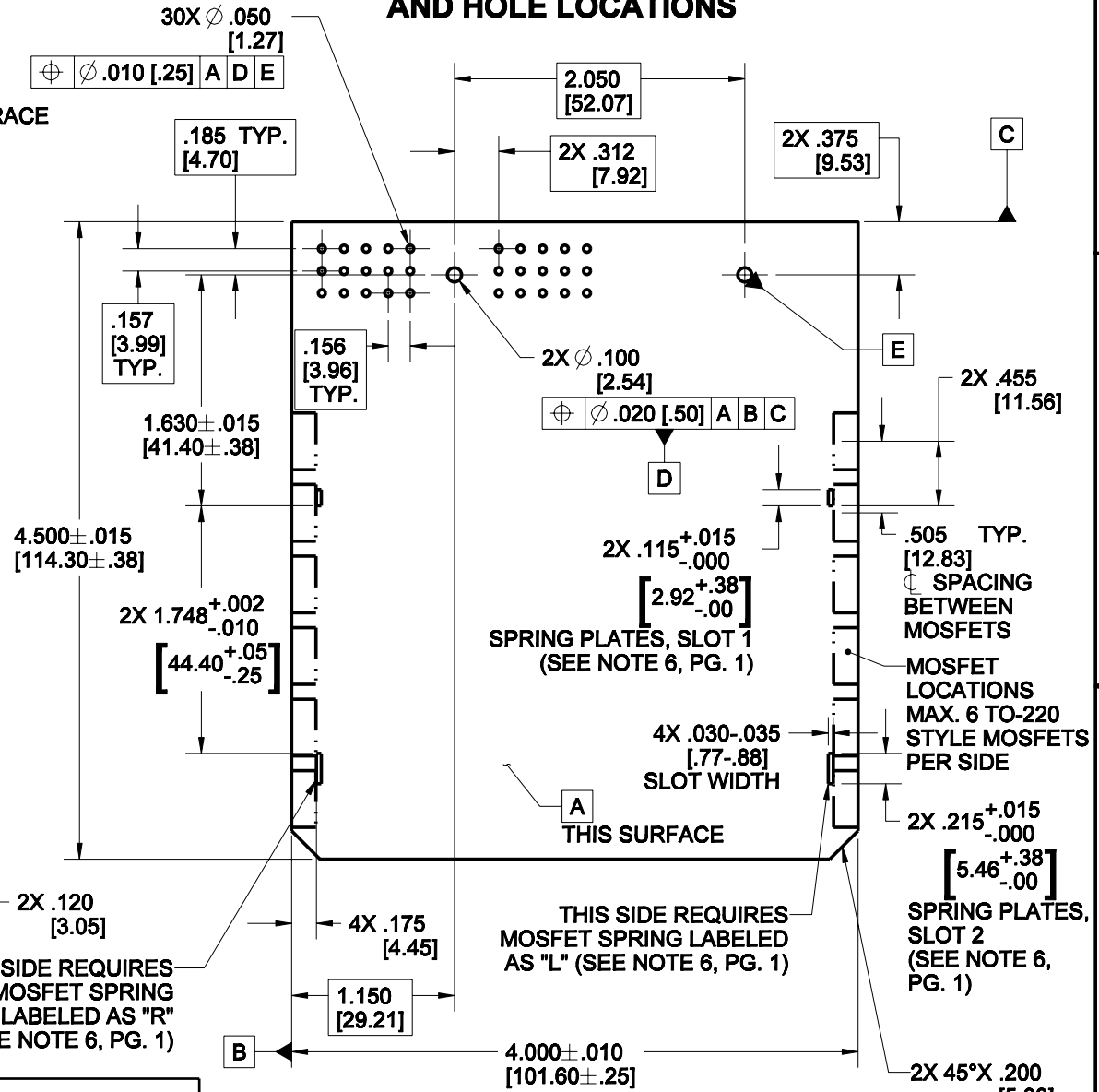
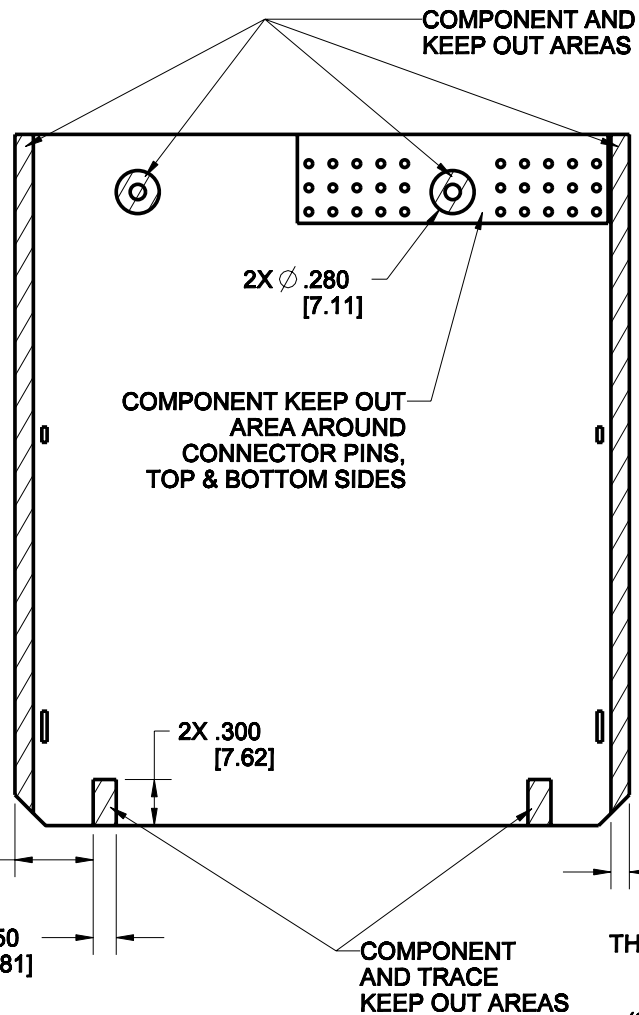
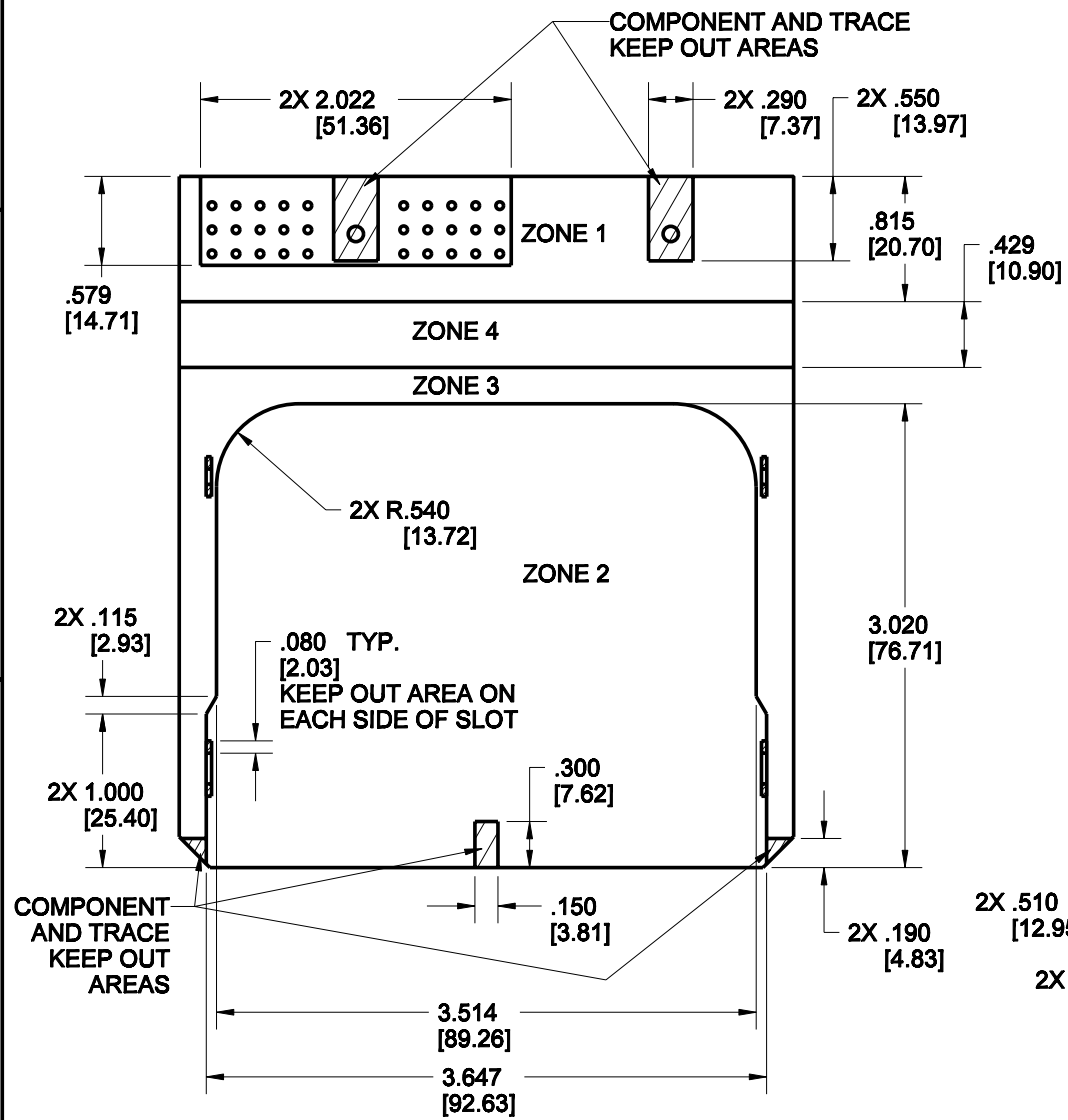
UNITS	ENGLISH	Cinch		1700 FINLEY RD LOMBARD, IL 60148
DO NOT SCALE DRAWING		TITLE 30-WAY HEADERS MODICE SE		
UNLESS OTHERWISE SPECIFIED: ALL DIMENSIONS ARE IN INCHES		PRO/E DRAWING		
FILLET/RADI .02 MAX	TOLERANCES X ± .1 .XX ± .01 .00X ± .005 ANGULAR ± .5	CAGE IDENT NO. 71785	DRAWING NUMBER 581 01 30 044 S	REV D
THIS DOCUMENT IS THE PROPERTY OF CINCH. NEITHER THIS DOCUMENT NOR ANY OF THE INFORMATION CONTAINED IN IT MAY BE DUPLICATED OR DISCLOSED WITHOUT PRIOR WRITTEN CONSENT OF CINCH.		SCALE B	SCALE 4:5	SHEET 3 OF 6

PCB LAYOUT WITH TWO HEAT SINKS

PCB TOP SIDE GENERAL ZONING & KEEP OUT AREAS

PCB BOTTOM SIDE GENERAL ZONING & KEEP OUT AREAS

PCB OVERALL DIMENSIONS AND HOLE LOCATIONS



PCB COMPONENTS HEIGHT LIMIT				
	ZONE 1	ZONE 2	ZONE 3	ZONE 4
MAX. HEIGHT FOR COMPONENTS (ABOVE PCB)	1.140"	.600"	.900"	SEE PCB NOTE 4

- PCB NOTES:
- IF MOSFET SPRINGS ARE USED, ZONE 3 SHOULD CONTAIN ONLY MOSFETS AND TRACES BETWEEN THE SPRINGS AND EDGE OF THE BOARD.
 - ON BOTTOM SIDE OF THE PCB, COMPONENTS OR TRACES MUST BE MIN. .100" AWAY FROM THE EDGE OF THE PCB.
 - THE BOTTOM SIDE OF THE PCB SHOULD NOT HAVE COMPONENTS OR LEADS THAT EXTEND HIGHER THAN .080" (SEE PG. 6 SIDE VIEW).
 - AREA HAS VARIABLE HEIGHT. SEE PCB COMPONENT HEIGHT ZONES VIEW FOR DETAILS.

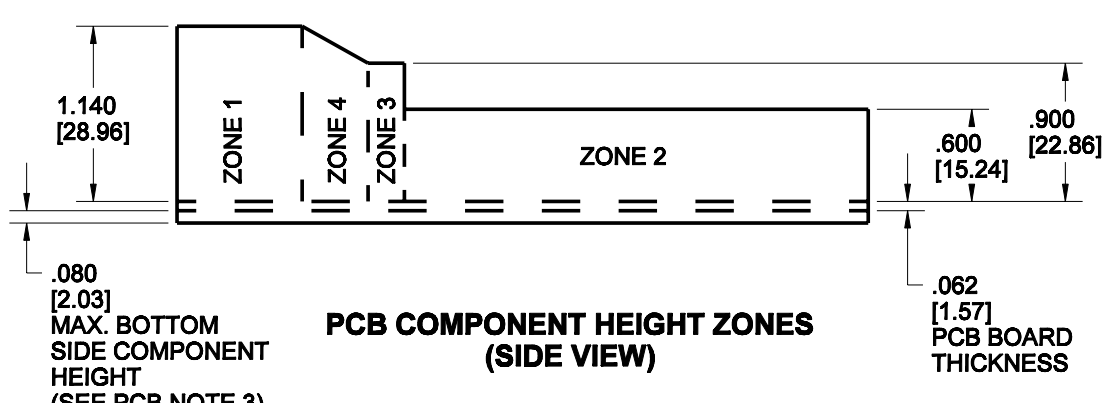
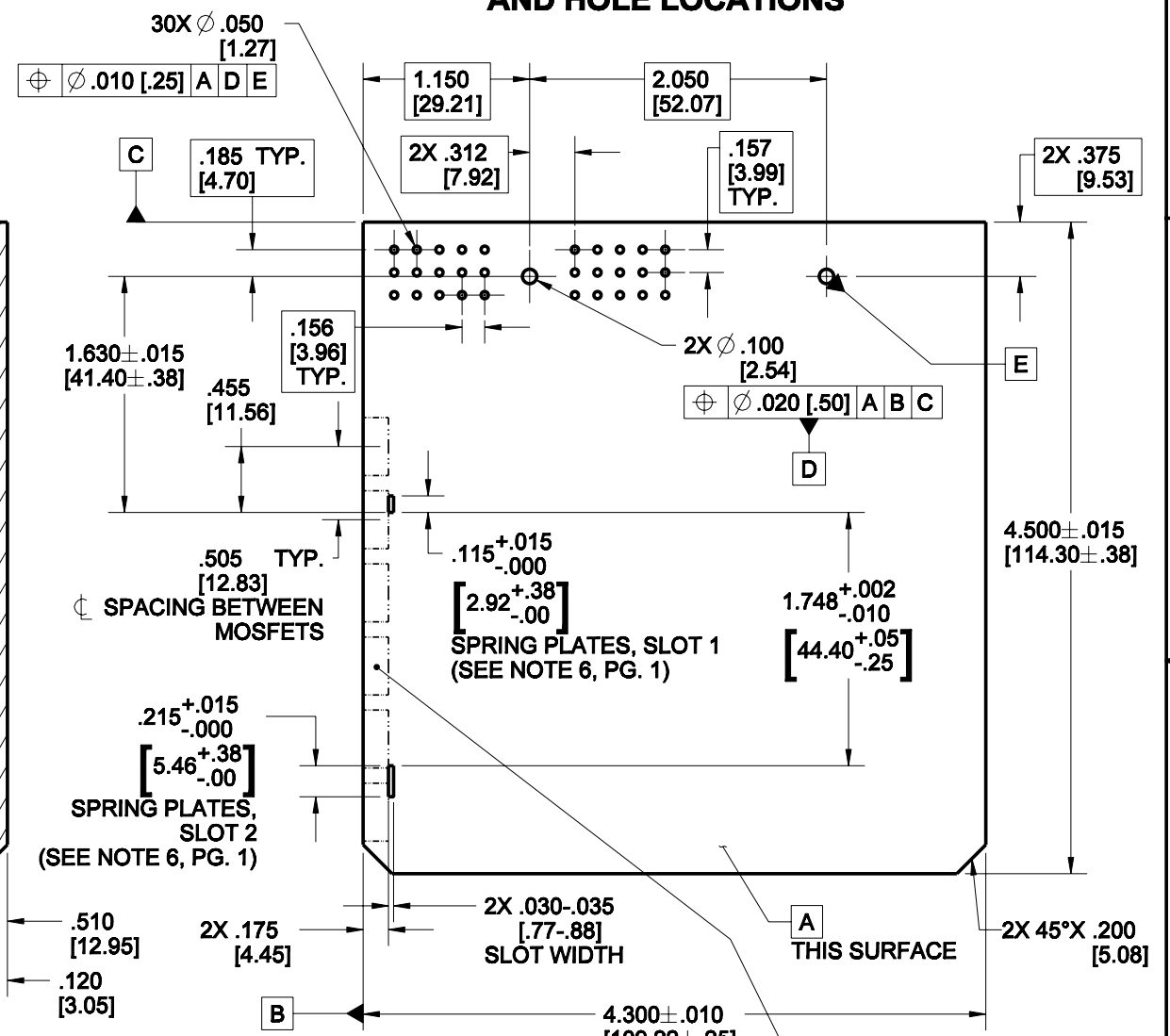
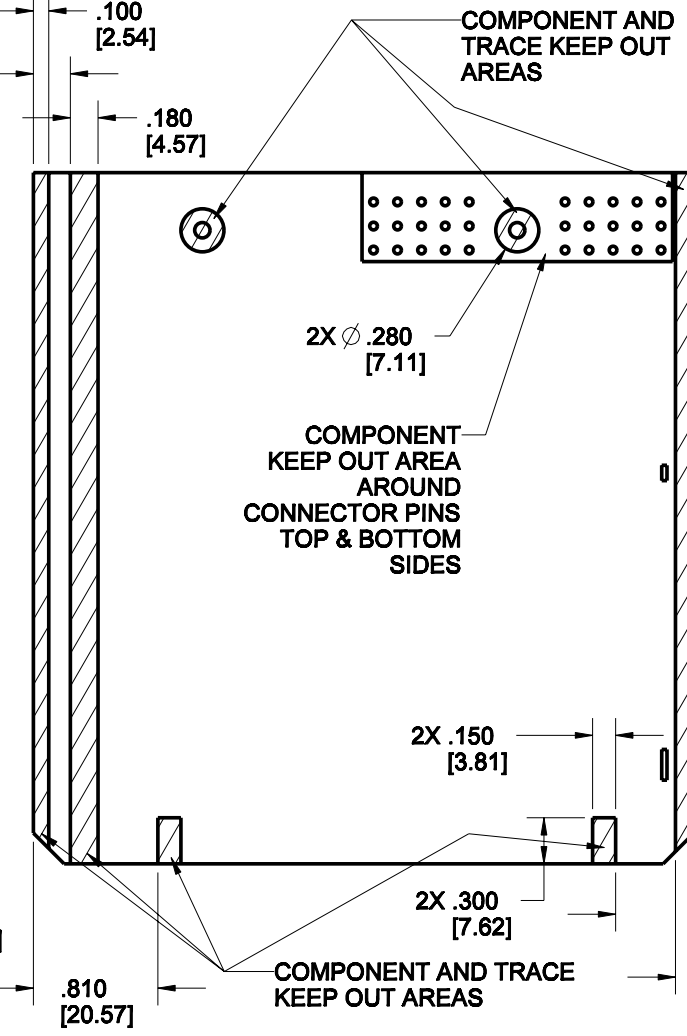
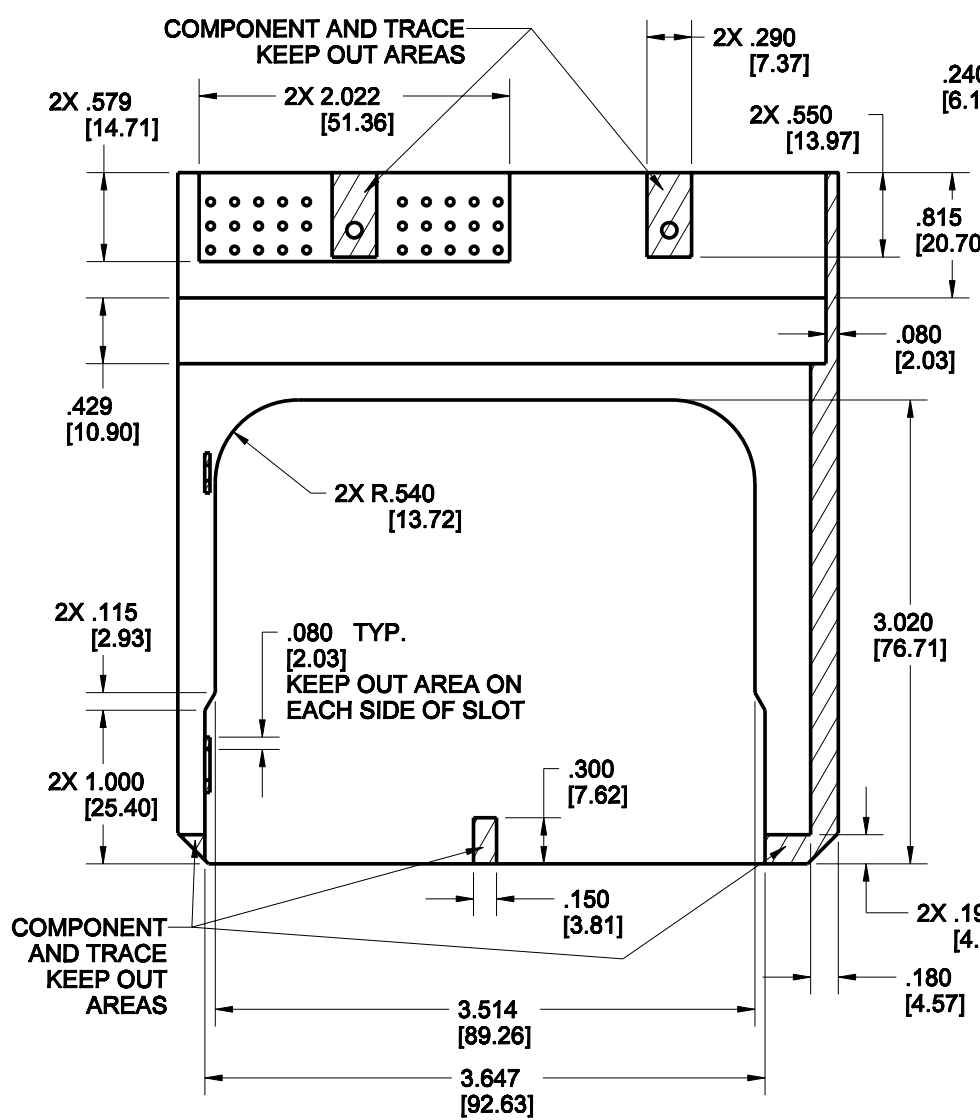
UNITS ENGLISH	Cinch 1700 FINLEY RD LOMBARD, IL. 60148	
DO NOT SCALE DRAWING	TITLE 30-WAY HEADERS MODICE SE	
UNLESS OTHERWISE SPECIFIED: ALL DIMENSIONS ARE IN INCHES	PRO/E DRAWING	
FILLET/RADI .02 MAX	TOLERANCES X ± .1 .XX ± .01 .00X ± .005 ANGULAR ± .5	CAD FILE NUMBER 5810130044_HEADERS
TOLERANCES AND LIMITS APPLY OVER ADDITIVE FINISH	CAGE IDENT NO. 71785	DRAWING NUMBER 581 01 30 044 S
THIS DOCUMENT IS THE PROPERTY OF CINCH. NEITHER THIS DOCUMENT NOR ANY OF THE INFORMATION CONTAINED IN IT MAY BE DUPLICATED OR DISCLOSED WITHOUT PRIOR WRITTEN CONSENT OF CINCH.	SIZE B	REV D
	SCALE 4:5	SHEET 4 OF 6

PCB LAY-OUT WITH ONE HEAT SINK

PCB TOP SIDE GENERAL ZONING & KEEP OUT AREAS

PCB BOTTOM SIDE GENERAL ZONING & KEEP OUT AREAS

PCB OVERALL DIMENSIONS AND HOLE LOCATIONS



PCB COMPONENTS HEIGHT LIMIT

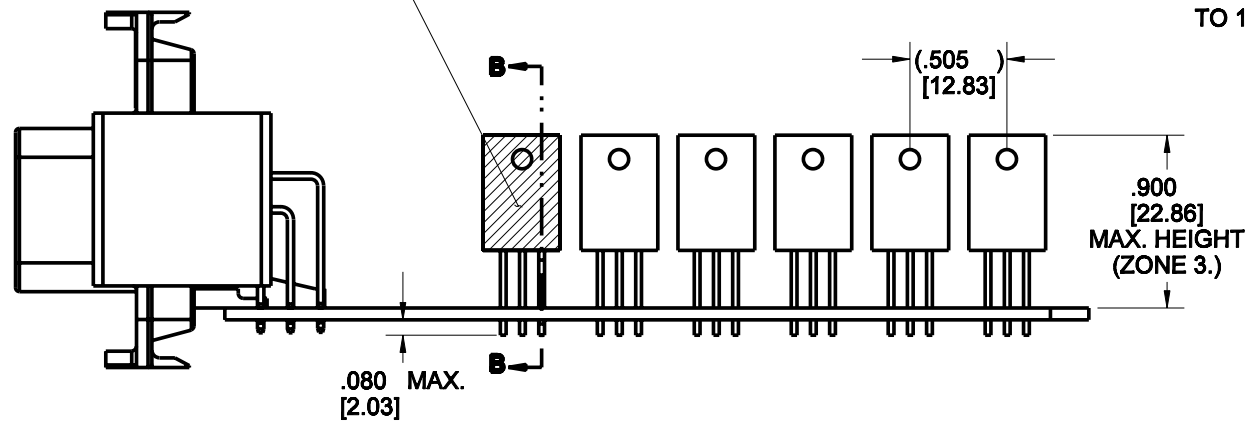
	ZONE 1	ZONE 2	ZONE 3	ZONE 4
MAX. HEIGHT FOR COMPONENTS (ABOVE PCB)	1.140"	.600"	.900"	SEE PCB NOTE 4

- PCB NOTES:**
- IF MOSFET SPRINGS ARE USED, ZONE 3 SHOULD CONTAIN ONLY MOSFETS AND TRACES BETWEEN THE SPRINGS AND EDGE OF THE BOARD.
 - ON BOTTOM SIDE OF THE PCB, COMPONENTS OR TRACES MUST BE MIN. .100" AWAY FROM THE EDGE OF THE PCB.
 - THE BOTTOM SIDE OF THE PCB SHOULD NOT HAVE COMPONENTS OR LEADS THAT EXTEND HIGHER THAN .080" (SEE PG. 6 SIDE VIEW).
 - AREA HAS VARIABLE HEIGHT. SEE PCB COMPONENT HEIGHT ZONES VIEW FOR DETAILS.

MOSFET LOCATION(S) MAX. 6 TO-220 STYLE MOSFETS THIS SIDE ONLY THIS SIDE REQUIRES MOSFET SPRING LABELED AS "R" (SEE NOTE 6, PG. 1)

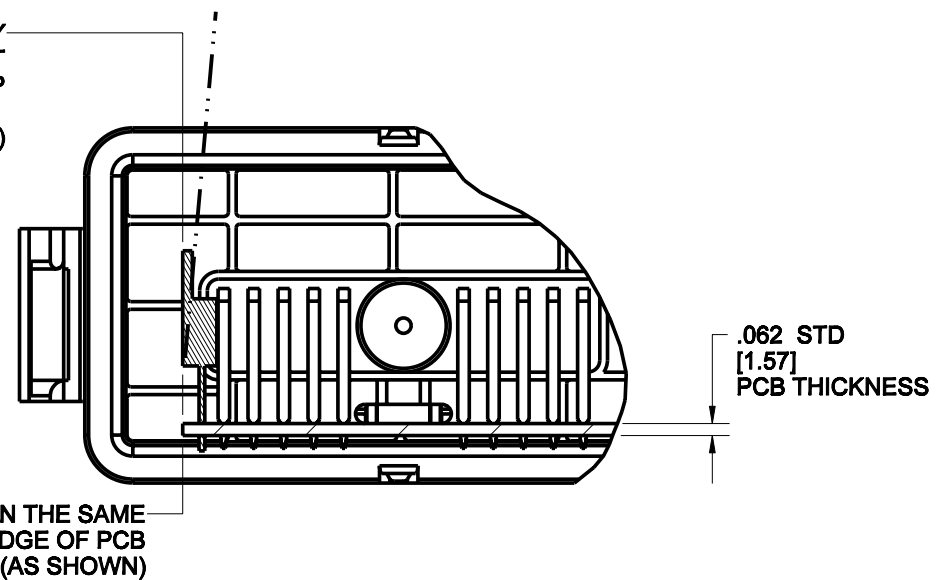
UNITS ENGLISH	Cinch 1700 FINLEY RD LOMBARD, IL 60148	
DO NOT SCALE DRAWING		
UNLESS OTHERWISE SPECIFIED: ALL DIMENSIONS ARE IN INCHES	TITLE 30-WAY HEADERS MODICE SE	
FILLET/RADI .02 MAX	TOLERANCES X ± .1 .XX ± .01 .XXX ± .005 ANGULAR ± .5	
TOLERANCES AND LIMITS APPLY OVER ADDITIVE FINISH	PRO/E DRAWING	
THIS DOCUMENT IS THE PROPERTY OF CINCH. NEITHER THIS DOCUMENT NOR ANY OF THE INFORMATION CONTAINED IN IT MAY BE DUPLICATED OR DISCLOSED WITHOUT PRIOR WRITTEN CONSENT OF CINCH.	CAD FILE NUMBER 58101300448_HEADERS	DRAWING NUMBER 581 01 30 044 S
	CAGE IDENT NO. 71785	REV D
	SCALE B	SHEET 5 OF 6

APPLY THIN BEAD OF THERMALLY CONDUCTIVE ADHESIVE PASTE TO ENTIRE MOSFET SURFACE. (SEE NOTE 5.)



**SIDE VIEW
REQUIRED TO-220 PACKAGE PROFILE**

FOR EASE OF ASSEMBLY IT IS RECOMMENDED THAT MOSFET(S) BE TILTED UP TO 10° IN POSITIVE DIRECTION (SEE DOTTED LINE)



**REQUIRES TO-220 PACKAGING PROFILE
PARTIAL SECTION B-B**

UNITS ENGLISH	Cinch		1700 FINLEY RD LOMBARD, IL 60148
DO NOT SCALE DRAWING	TITLE 30-WAY HEADERS MODICE SE		
UNLESS OTHERWISE SPECIFIED: ALL DIMENSIONS ARE IN INCHES	PRO/E DRAWING		
FILLET/RADI .02 MAX	TOLERANCES X ± .1 .0X ± .01 .00X ± .005 ANGULAR ± .5	CAD FILE NUMBER 5810130044e_HEADERS	DRAWING NUMBER 581 01 30 044 S
TOLERANCES AND LIMITS APPLY OVER ADDITIVE FINISH	THIS DOCUMENT IS THE PROPERTY OF CINCH. NEITHER THIS DOCUMENT NOR ANY OF THE INFORMATION CONTAINED IN IT MAY BE DUPLICATED OR DISCLOSED WITHOUT PRIOR WRITTEN CONSENT OF CINCH.	CAGE IDENT NO. 71785	REV D
	SIZE B	SCALE 1:1	SHEET 6 OF 6