



Chipsmall Limited consists of a professional team with an average of over 10 year of expertise in the distribution of electronic components. Based in Hongkong, we have already established firm and mutual-benefit business relationships with customers from,Europe,America and south Asia,supplying obsolete and hard-to-find components to meet their specific needs.

With the principle of “Quality Parts,Customers Priority,Honest Operation,and Considerate Service”,our business mainly focus on the distribution of electronic components. Line cards we deal with include Microchip,ALPS,ROHM,Xilinx,Pulse,ON,Everlight and Freescale. Main products comprise IC,Modules,Potentiometer,IC Socket,Relay,Connector.Our parts cover such applications as commercial,industrial, and automotives areas.

We are looking forward to setting up business relationship with you and hope to provide you with the best service and solution. Let us make a better world for our industry!



Contact us

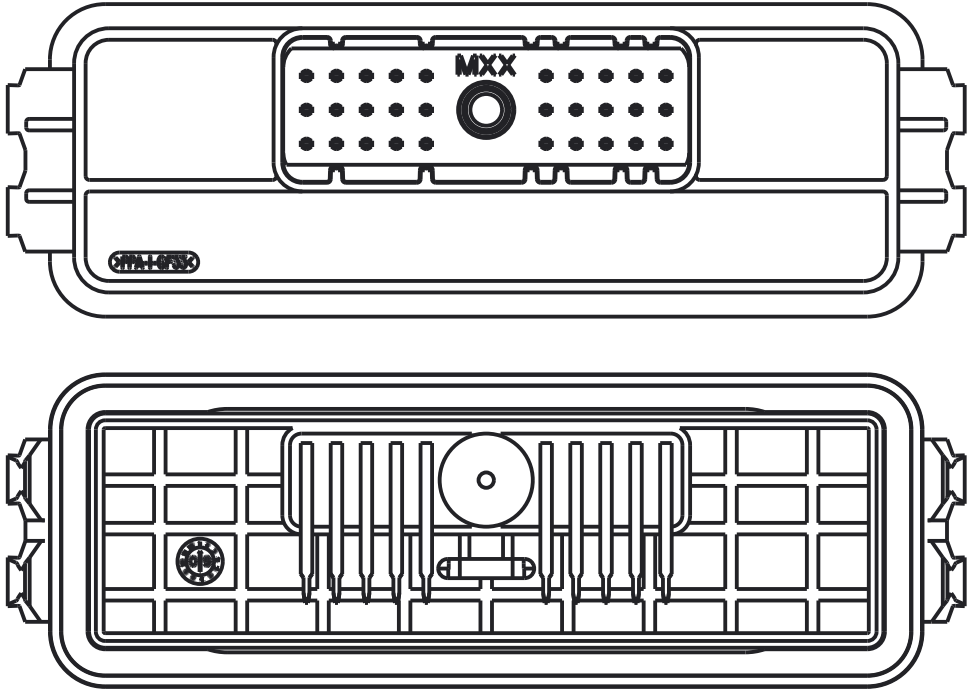
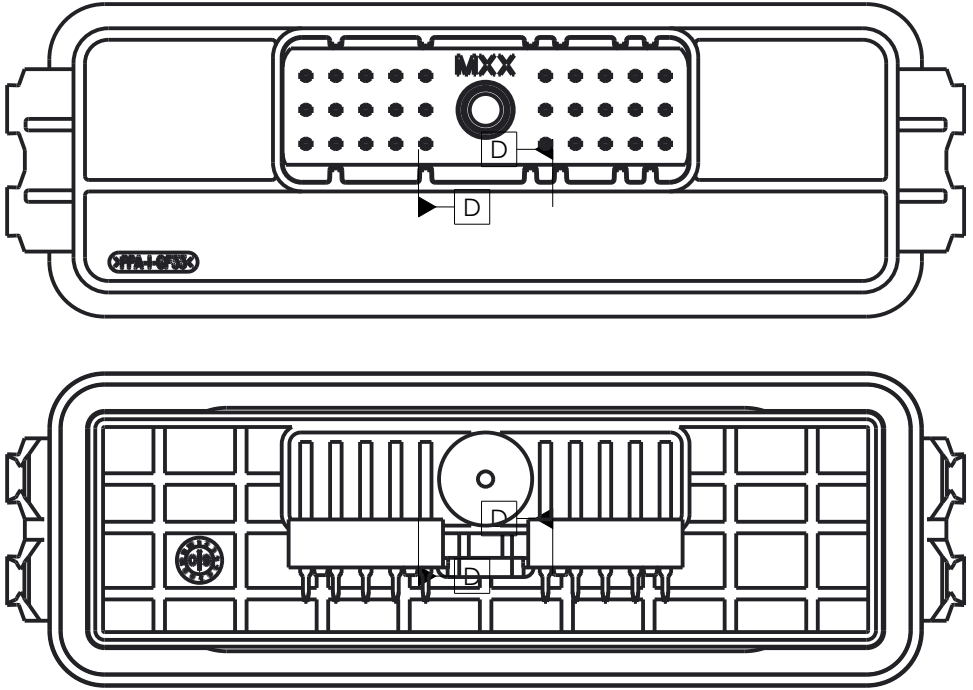
Tel: +86-755-8981 8866 Fax: +86-755-8427 6832

Email & Skype: info@chipsmall.com Web: www.chipsmall.com

Address: A1208, Overseas Decoration Building, #122 Zhenhua RD., Futian, Shenzhen, China



CINCH PART NUMBER MATRIX

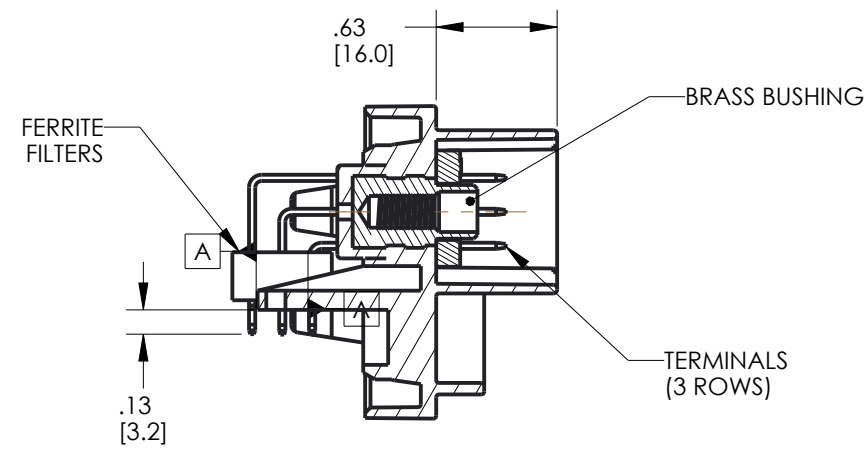
P/N: 5810130064	P/N: 5810130072
30-WAY HEADER ASSEMBLY WITHOUT FERRITE FILTERS	30-WAY HEADER ASSEMBLY WITH FERRITE FILTERS
	
MATES WITH CINCH HARNESS CONNECTOR P/N: 5810130029	

DRAWING REVISIONS (RELEASE DATE ON FILE)			
REV	DOCUMENT	APP	APPROVAL DATE
C	CO 3274	KR	7/18/16

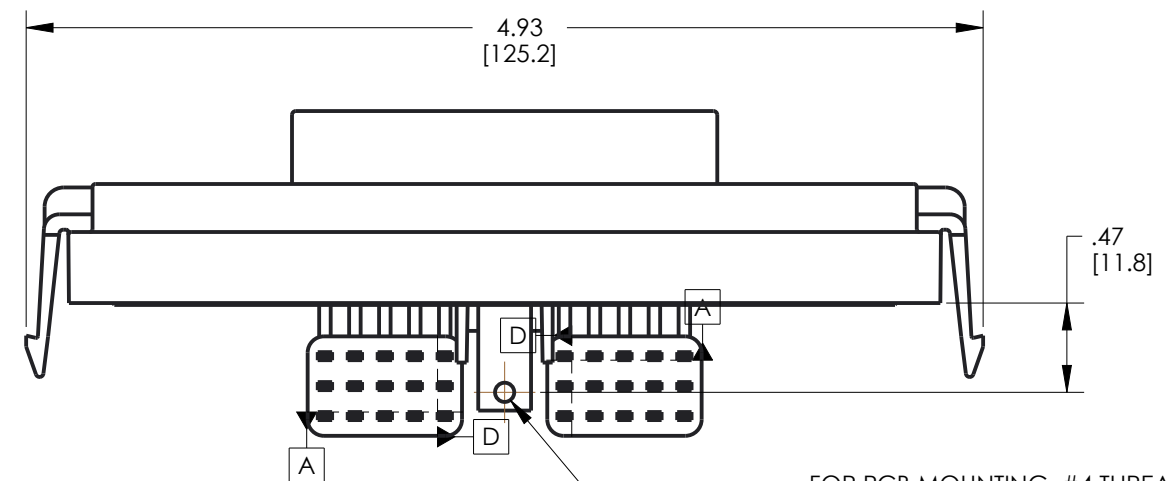
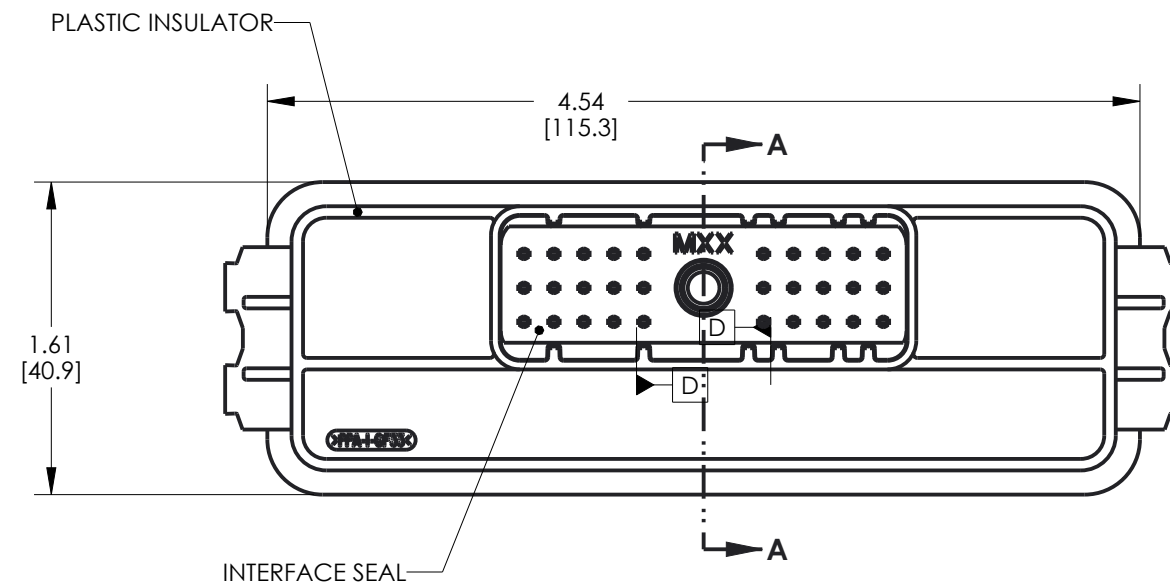
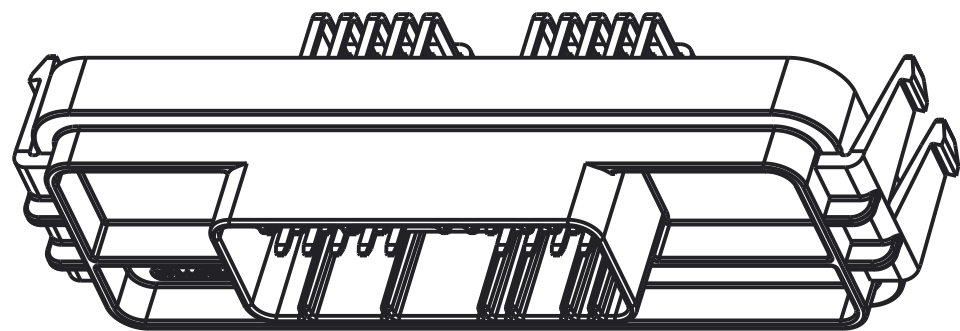
NOTES:

- ALL DIMENSIONS ARE IN INCHES; DIMENSIONS INSIDE [.XX] ARE IN mm, AS REFERENCE ONLY
- MATERIALS:
 INTERFACE SEAL: SILICONE RUBBER, COLOR BLUE
 INSULATOR: 30% GLASS FILLED POLYMER, COLOR BLACK
 BUSHING: BRASS ALLOY, UNPLATED 10-24 UNC THREAD
 TERMINAL BLADES: 1.5 mm BRASS WITH TIN OVER NICKEL PLATING
 FILTERS: FERRITE BLOCKS
- ALL HEADERS ARE REFLOW OR WAVE SOLDERING PROCESS, ROHS COMPLIANT
- SUGGESTED PCB THICKNESS: .062 [1.57]
- IF USING FERRITE FILTER VERSION, TRACES SHOULD BE AVOIDED UNDER THE FERRITE SPACER FEET. SEE "PCB TOP SIDE PIN AREA WITH FERRITES DETAIL" - PAGE 3.
- MATES WITH CINCH SHS PUSH-TO-SEAT HARNESS CONNECTORS (SEE TABLE ABOVE)
- TORQUE MATING CONNECTOR SCREW TO 15 - 20 IN*LBS [1.70 - 2.26 N*m]

UNITS ENGLISH INCHES		DESIGN ENGINEER A. ECKHART	DATE 9/9/08	PRO/E	CINCH 1700 FINLEY RD LOMBARD, IL 60148 MODELED BY: A. ECKHART			
DO NOT SCALE DRAWING		APPROVALS ON FILE			TITLE 30-WAY HEADERS MODICE ME			
CONFIDENTIAL THIS DOCUMENT IS THE PROPERTY OF CINCH. NEITHER THIS DOCUMENT NOR ANY OF THE INFORMATION CONTAINED IN IT MAY BE DUPLICATED OR DISCLOSED WITHOUT PRIOR WRITTEN CONSENT OF CINCH. ©COPYRIGHT 2008 CINCH					MATERIAL		CONTROL SPEC NUMBER	
					MATERIAL SPEC NUMBER		PROJECT NUMBER A14926	
CAD FILE NUMBER 5810130064S					DRAWING NUMBER 5810130064S		SCALE 1:1	
CAGE IDENT NO. 71785		SIZE B		SHEET 1 OF 3				



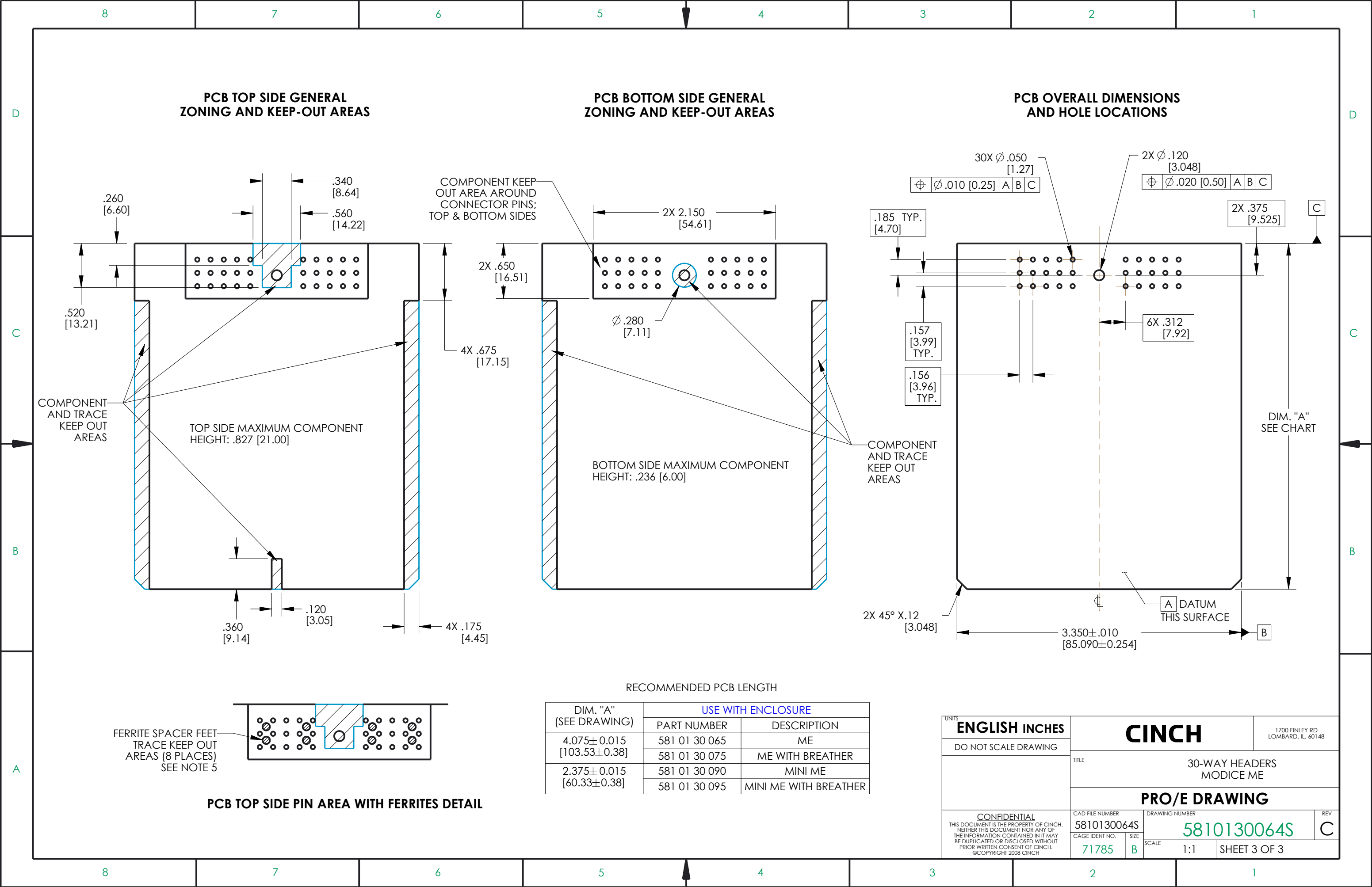
SECTION A-A



CINCH P/N: 5810130072 SHOWN
(HEADER WITH FILTERS)

FOR PCB MOUNTING, #4 THREAD CUTTING SCREW (TYPE 23 OR SIMILAR) IS RECOMMENDED; TORQUE TO 2-3 IN*LBS [0.23-0.34Nm]

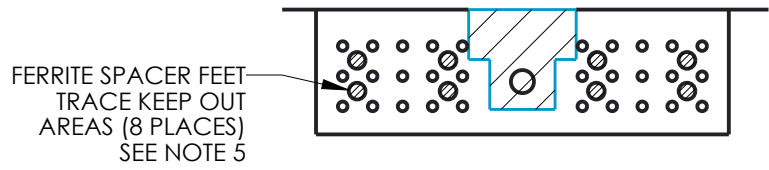
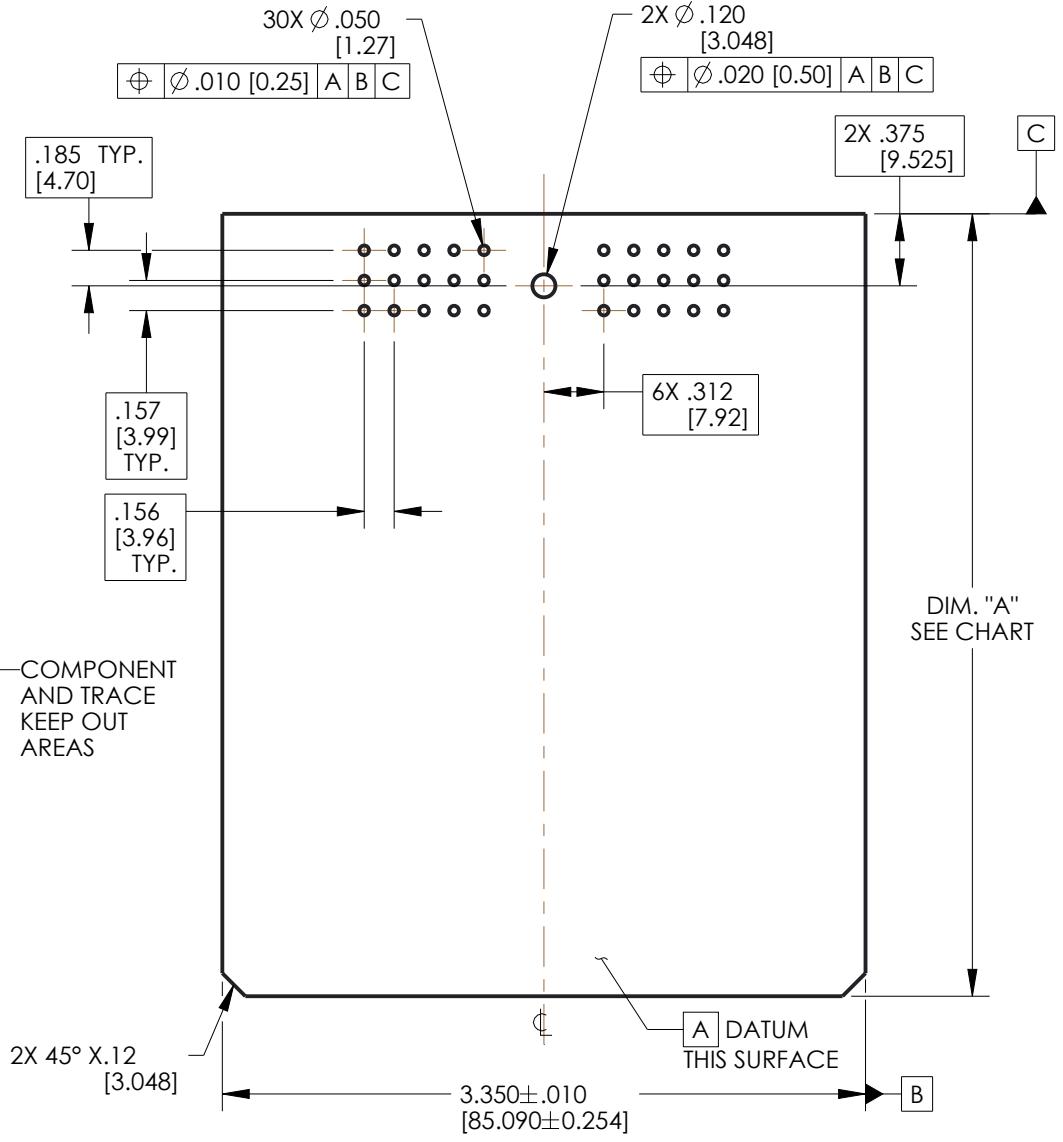
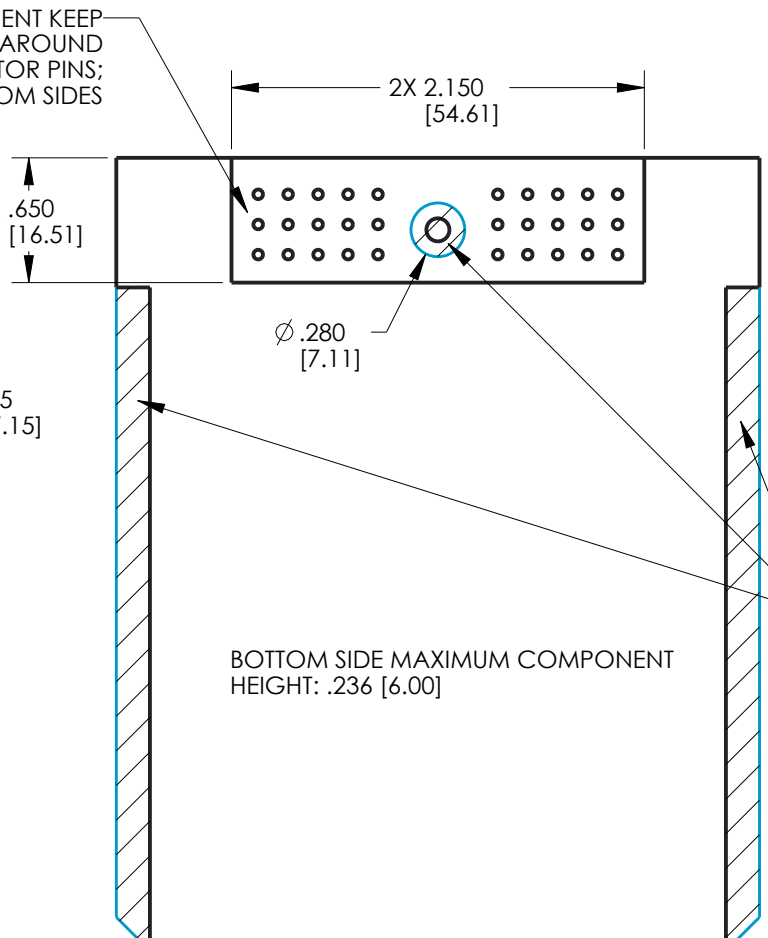
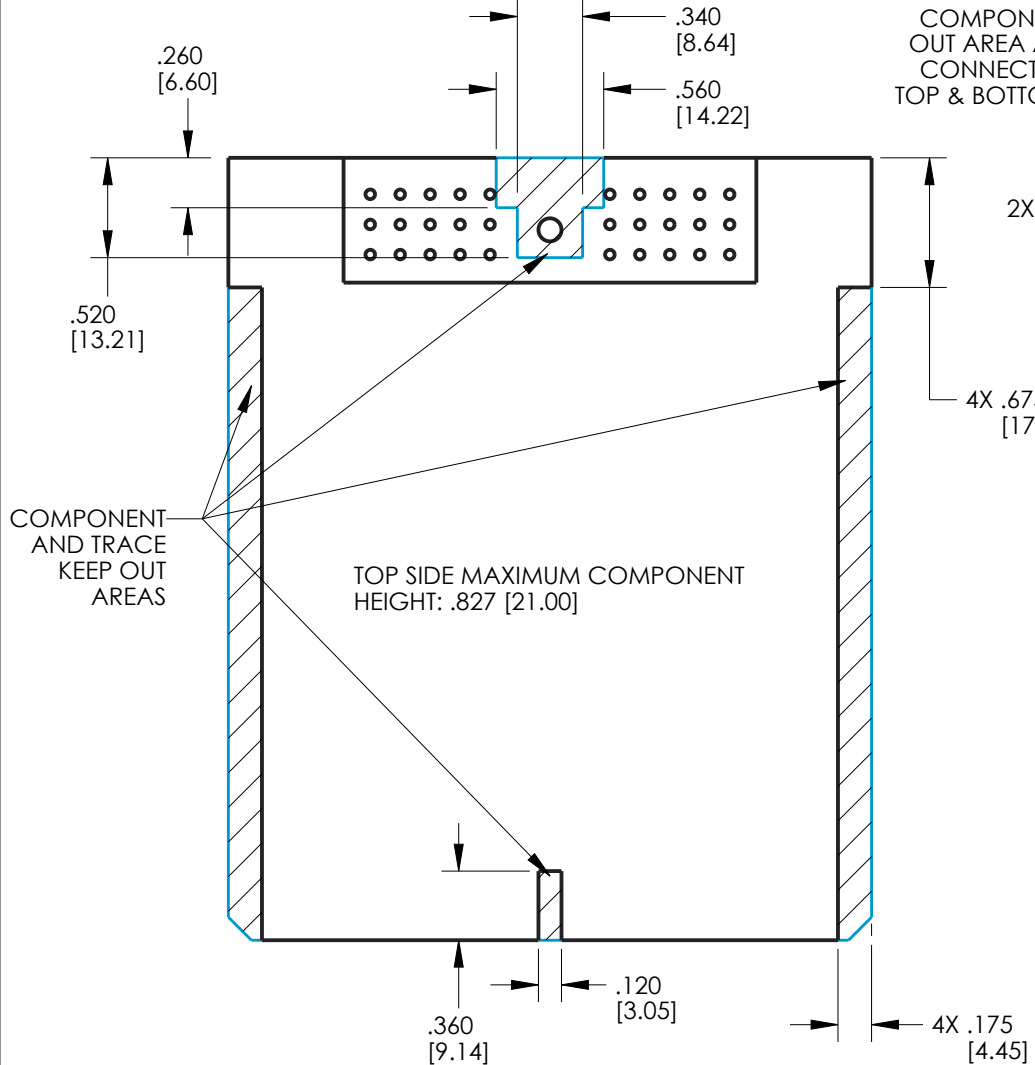
UNITS ENGLISH INCHES	CINCH		1700 FINLEY RD LOMBARD, IL. 60148
DO NOT SCALE DRAWING	TITLE 30-WAY HEADERS MODICE ME		
CONFIDENTIAL THIS DOCUMENT IS THE PROPERTY OF CINCH. NEITHER THIS DOCUMENT NOR ANY OF THE INFORMATION CONTAINED IN IT MAY BE DUPLICATED OR DISCLOSED WITHOUT PRIOR WRITTEN CONSENT OF CINCH. ©COPYRIGHT 2008 CINCH	DRAWING NUMBER 5810130064S		REV C
	CAD FILE NUMBER 5810130064S	DRAWING NUMBER 5810130064S	
	CAGE IDENT NO. 71785	SIZE B	SCALE 1:1
	SHEET 2 OF 3		



PCB TOP SIDE GENERAL ZONING AND KEEP-OUT AREAS

PCB BOTTOM SIDE GENERAL ZONING AND KEEP-OUT AREAS

PCB OVERALL DIMENSIONS AND HOLE LOCATIONS



PCB TOP SIDE PIN AREA WITH FERRITES DETAIL

RECOMMENDED PCB LENGTH

DIM. "A" (SEE DRAWING)	USE WITH ENCLOSURE	
	PART NUMBER	DESCRIPTION
4.075±0.015 [103.53±0.38]	581 01 30 065	ME
	581 01 30 075	ME WITH BREATHER
2.375±0.015 [60.33±0.38]	581 01 30 090	MINI ME
	581 01 30 095	MINI ME WITH BREATHER

UNITS: **ENGLISH INCHES**

DO NOT SCALE DRAWING

CINCH

1700 FINLEY RD
LOMBARD, IL. 60148

TITLE: 30-WAY HEADERS
MODICE ME

PRO/E DRAWING

CONFIDENTIAL
THIS DOCUMENT IS THE PROPERTY OF CINCH. NEITHER THIS DOCUMENT NOR ANY OF THE INFORMATION CONTAINED IN IT MAY BE DUPLICATED OR DISCLOSED WITHOUT PRIOR WRITTEN CONSENT OF CINCH. ©COPYRIGHT 2008 CINCH

CAD FILE NUMBER 5810130064S	DRAWING NUMBER 5810130064S	REV C
CAGE IDENT NO. 71785	SIZE B	SCALE 1:1
		SHEET 3 OF 3