



Chipsmall Limited consists of a professional team with an average of over 10 year of expertise in the distribution of electronic components. Based in Hongkong, we have already established firm and mutual-benefit business relationships with customers from,Europe,America and south Asia,supplying obsolete and hard-to-find components to meet their specific needs.

With the principle of “Quality Parts,Customers Priority,Honest Operation,and Considerate Service”,our business mainly focus on the distribution of electronic components. Line cards we deal with include Microchip,ALPS,ROHM,Xilinx,Pulse,ON,Everlight and Freescale. Main products comprise IC,Modules,Potentiometer,IC Socket,Relay,Connector.Our parts cover such applications as commercial,industrial, and automotives areas.

We are looking forward to setting up business relationship with you and hope to provide you with the best service and solution. Let us make a better world for our industry!



Contact us

Tel: +86-755-8981 8866 Fax: +86-755-8427 6832

Email & Skype: info@chipsmall.com Web: www.chipsmall.com

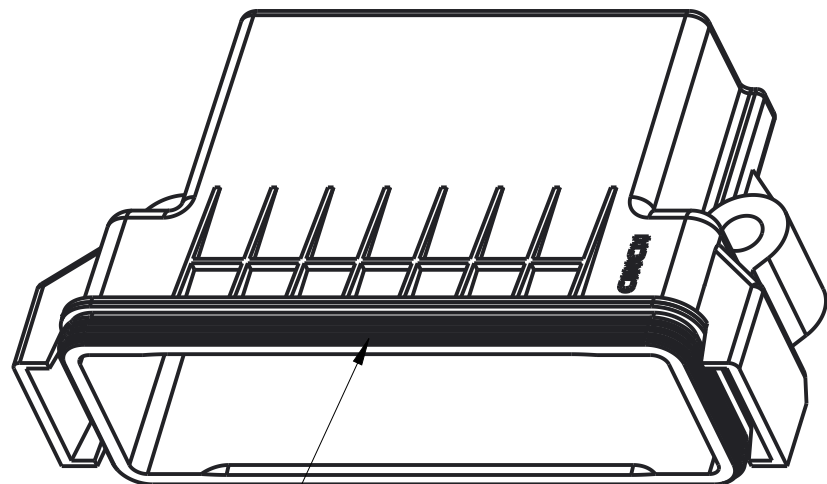
Address: A1208, Overseas Decoration Building, #122 Zhenhua RD., Futian, Shenzhen, China



CINCH PART NUMBER MATRIX

P/N: 581 01 30 090

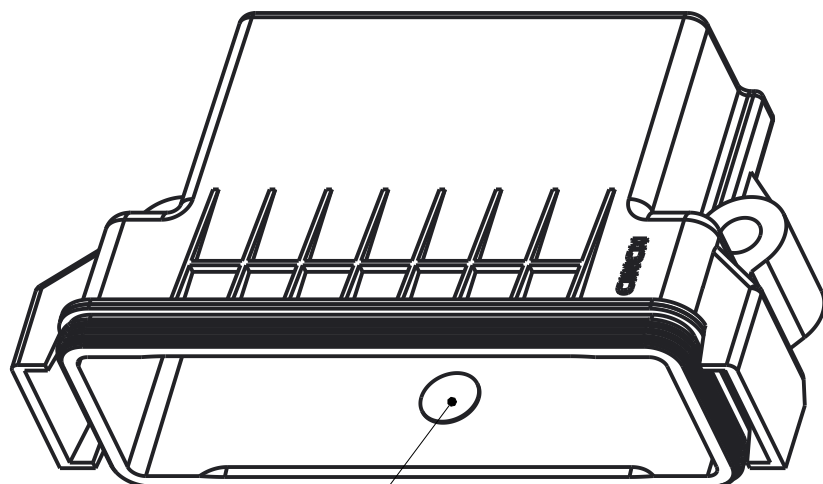
STANDARD ENCLOSURE



PERIPHERAL SEAL

P/N: 581 01 30 095

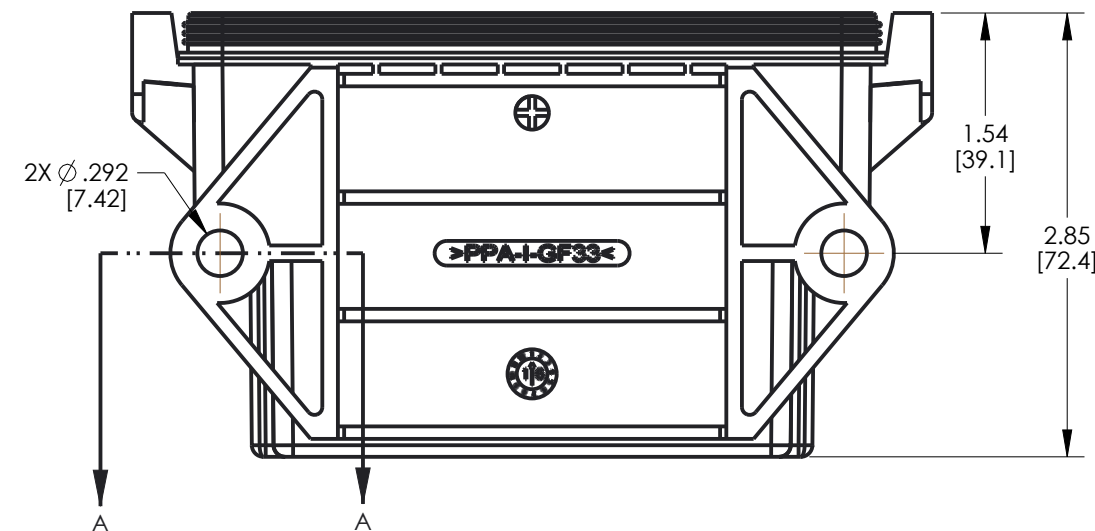
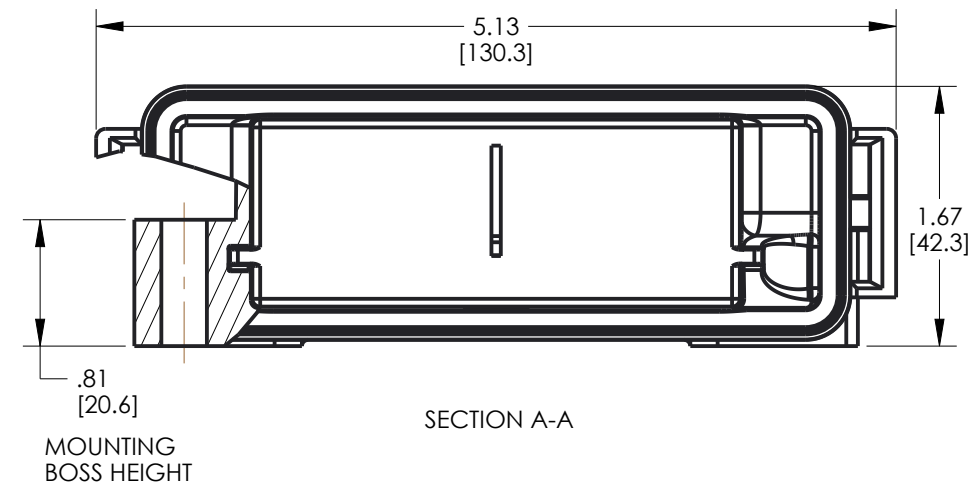
ENCLOSURE WITH BREATHER VENT



BREATHER VENT

DRAWING REVISIONS (RELEASE DATE ON FILE)

REV	DOCUMENT	APP	APPROVAL DATE
A	INITIAL	JT	12/13/2016



NOTES:

- ALL DIMENSIONS ARE IN INCHES; DIMENSIONS IN [XX] ARE IN mm AS REFERENCE ONLY
- MATERIALS: (ROHS COMPLIANT)
ENCLOSURE: 33% GLASS FILLED POLYMER, COLOR BLACK;
PERIPHERAL SEAL: SILICONE RUBBER, COLOR BLUE
- HEADERS ARE SOLD SEPARATELY (CONSULT FACTORY FOR P/N);
FOR PCB SIZE AND REQUIREMENTS REFER TO HEADER DRAWINGS.
- FASTENERS SHOULD BE TIGHTENED BY HAND AT EACH LOCATION,
APPLYING EQUAL PRESSURE AGAINST MOUNTING SURFACE, THEN TORQUE
TO 10-12 IN. LB. [1.13-1.36 Nm]

UNITS ENGLISH INCHES		PRO/E		CINCH <small>1700 FINLEY RD LOMBARD, IL 60148</small>		
DO NOT SCALE DRAWING		DESIGN ENGINEER A.PONCE	DATE 12/2/2016	TITLE MODICE MINI ME (MME) ENCLOSURE ASSEMBLY		
UNLESS OTHERWISE SPECIFIED: ALL DIMENSIONS ARE IN INCHES		APPROVALS ON FILE		MATERIAL SEE NOTE 2	CONTROL SPEC NUMBER	
FILLET/RADIUS .02 MAX.	TOLERANCES .X ± .1 .XX ± .01 .XXX ± .005 ANGULAR ± .5°			MATERIAL SPEC NUMBER	FINISH	PROJECT NUMBER A15135
CONFIDENTIAL THIS DOCUMENT IS THE PROPERTY OF CINCH. NEITHER THIS DOCUMENT NOR ANY OF THE INFORMATION CONTAINED IN IT MAY BE DUPLICATED OR DISCLOSED WITHOUT PRIOR WRITTEN CONSENT OF CINCH. ©COPYRIGHT 2012 CINCH				CAD FILE NUMBER 5810130090S	DRAWING NUMBER 581 01 30 090S	
CAGE IDENT NO. 71785	SIZE B	SCALE 1:1	SHEET 1 OF 1			