



Chipsmall Limited consists of a professional team with an average of over 10 year of expertise in the distribution of electronic components. Based in Hongkong, we have already established firm and mutual-benefit business relationships with customers from,Europe,America and south Asia,supplying obsolete and hard-to-find components to meet their specific needs.

With the principle of “Quality Parts,Customers Priority,Honest Operation,and Considerate Service”,our business mainly focus on the distribution of electronic components. Line cards we deal with include Microchip,ALPS,ROHM,Xilinx,Pulse,ON,Everlight and Freescale. Main products comprise IC,Modules,Potentiometer,IC Socket,Relay,Connector.Our parts cover such applications as commercial,industrial, and automotives areas.

We are looking forward to setting up business relationship with you and hope to provide you with the best service and solution. Let us make a better world for our industry!



Contact us

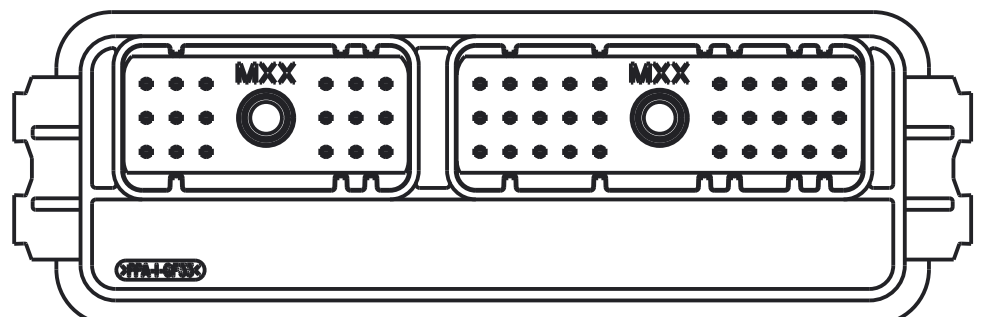
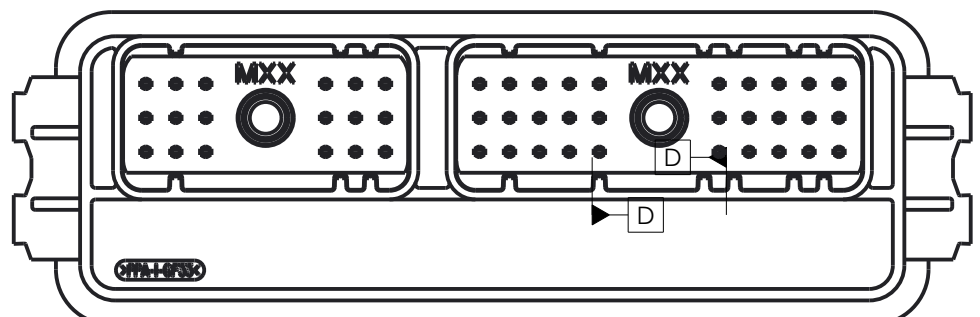
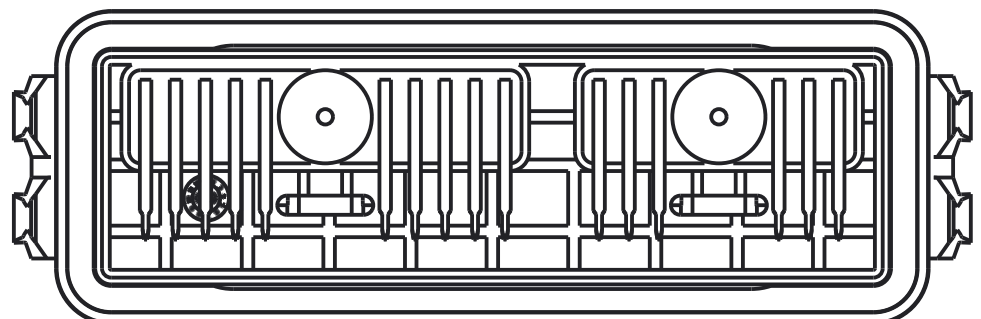
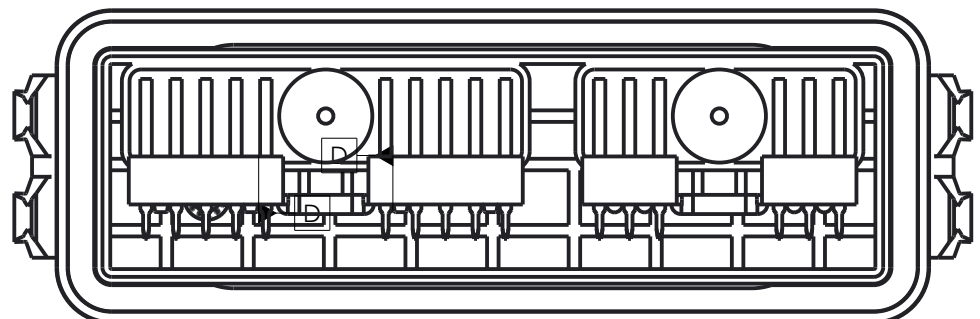
Tel: +86-755-8981 8866 Fax: +86-755-8427 6832

Email & Skype: info@chipsmall.com Web: www.chipsmall.com

Address: A1208, Overseas Decoration Building, #122 Zhenhua RD., Futian, Shenzhen, China



CINCH PART NUMBER MATRIX

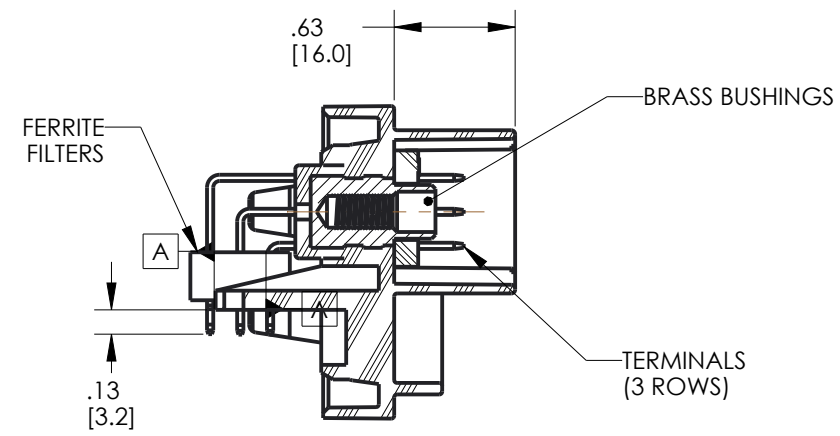
P/N: 5810148009	P/N: 5810148010
48-WAY HEADER ASSEMBLY WITHOUT FERRITE FILTERS	48-WAY HEADER ASSEMBLY WITH FERRITE FILTERS
	
	
<p>MATES WITH CINCH HARNESS CONNECTORS P/N: 5810118023 (18-WAY) AND 5810130029 (30-WAY)</p>	

DRAWING REVISIONS (RELEASE DATE ON FILE)			
REV	DOCUMENT	APP	APPROVAL DATE
C	CO 3274	KR	7/18/16

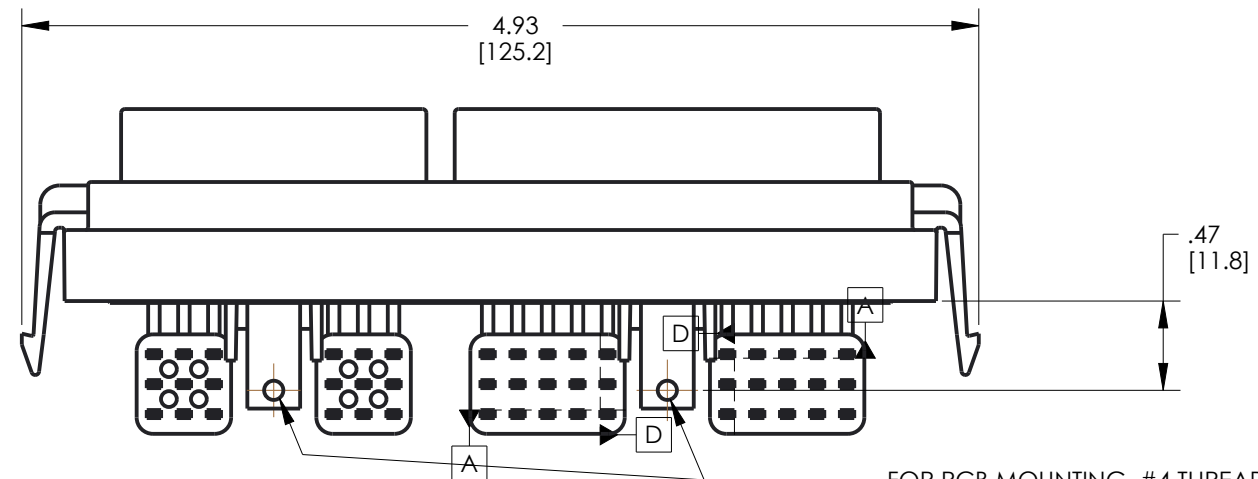
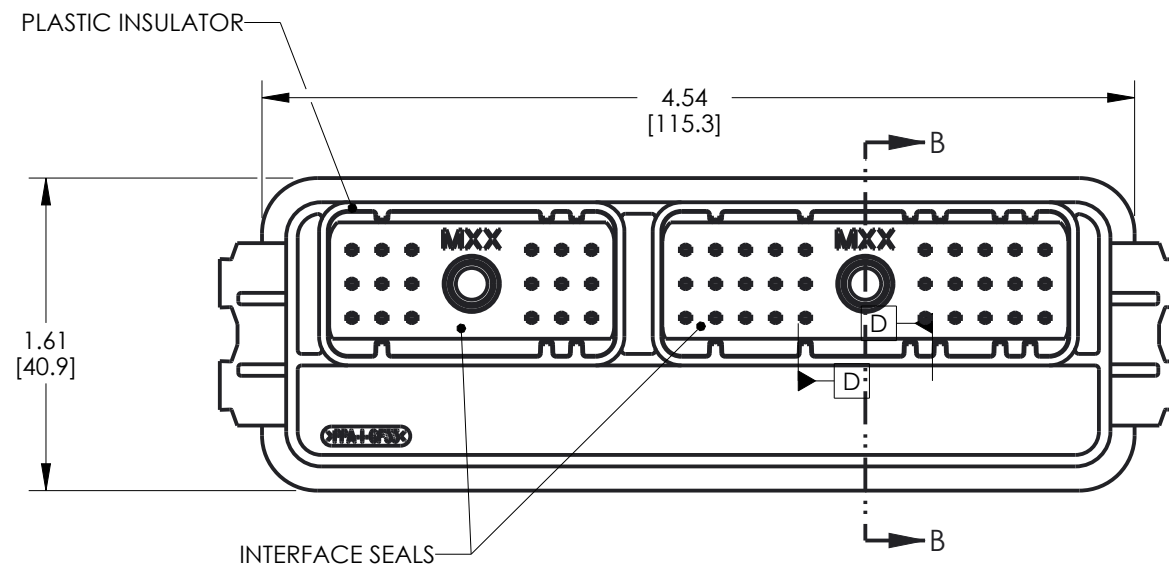
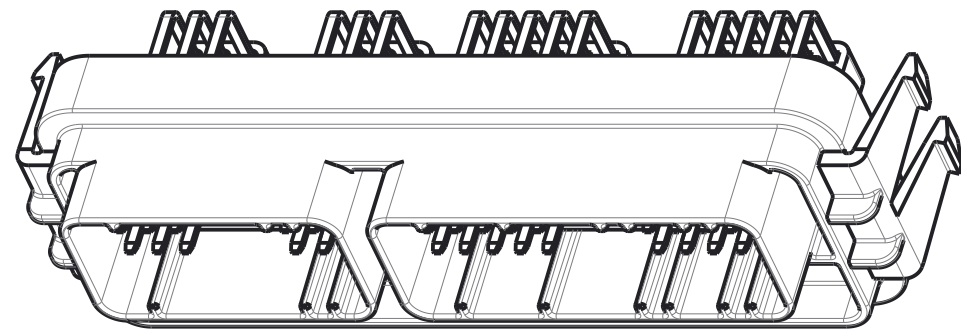
NOTES:

- ALL DIMENSIONS ARE IN INCHES; DIMENSIONS INSIDE [.XX] ARE IN mm, AS REFERENCE ONLY
- MATERIALS:
 INTERFACE SEALS: SILICONE RUBBER, COLOR BLUE
 INSULATOR: 30% GLASS FILLED POLYMER, COLOR BLACK
 BUSHINGS: BRASS ALLOY, UNPLATED 10-24 UNC THREAD
 TERMINAL BLADES: 1.5 mm BRASS WITH TIN OVER NICKEL PLATING
 FILTERS: FERRITE BLOCKS
- ALL HEADERS ARE REFLOW OR WAVE SOLDERING PROCESS, ROHS COMPLIANT
- SUGGESTED PCB THICKNESS: .062 [1.57]
- IF USING FERRITE FILTER VERSION, TRACES SHOULD BE AVOIDED UNDER THE FERRITE SPACER FEET. SEE "PCB TOP SIDE PIN AREA WITH FERRITES DETAIL" - PAGE 3.
- MATES WITH CINCH SHS PUSH-TO-SEAT HARNESS CONNECTORS (SEE TABLE ABOVE)
- TORQUE MATING CONNECTOR SCREW TO 15 - 20 IN*LBS [1.70 - 2.26 N*m]

UNITS ENGLISH INCHES		DESIGN ENGINEER A. ECKHART	DATE 4/3/09	PRO/E	CINCH 1700 FINLEY RD LOMBARD, IL. 60148 MODELED BY: A. ECKHART		
DO NOT SCALE DRAWING		APPROVALS ON FILE			TITLE 48-WAY HEADERS MODICE ME		
CONFIDENTIAL THIS DOCUMENT IS THE PROPERTY OF CINCH. NEITHER THIS DOCUMENT NOR ANY OF THE INFORMATION CONTAINED IN IT MAY BE DUPLICATED OR DISCLOSED WITHOUT PRIOR WRITTEN CONSENT OF CINCH. ©COPYRIGHT 2009 CINCH					MATERIAL SEE NOTES		CONTROL SPEC NUMBER
		MATERIAL SPEC NUMBER		FINISH		PROJECT NUMBER A14926	
		CAD FILE NUMBER 5810148009S		DRAWING NUMBER 5810148009S		SCALE 1:1	
CAGE IDENT NO. 71785		SIZE B		SHEET 1 OF 3			



SECTION B-B



CINCH P/N: 5810148010 SHOWN
(HEADER WITH FILTERS)

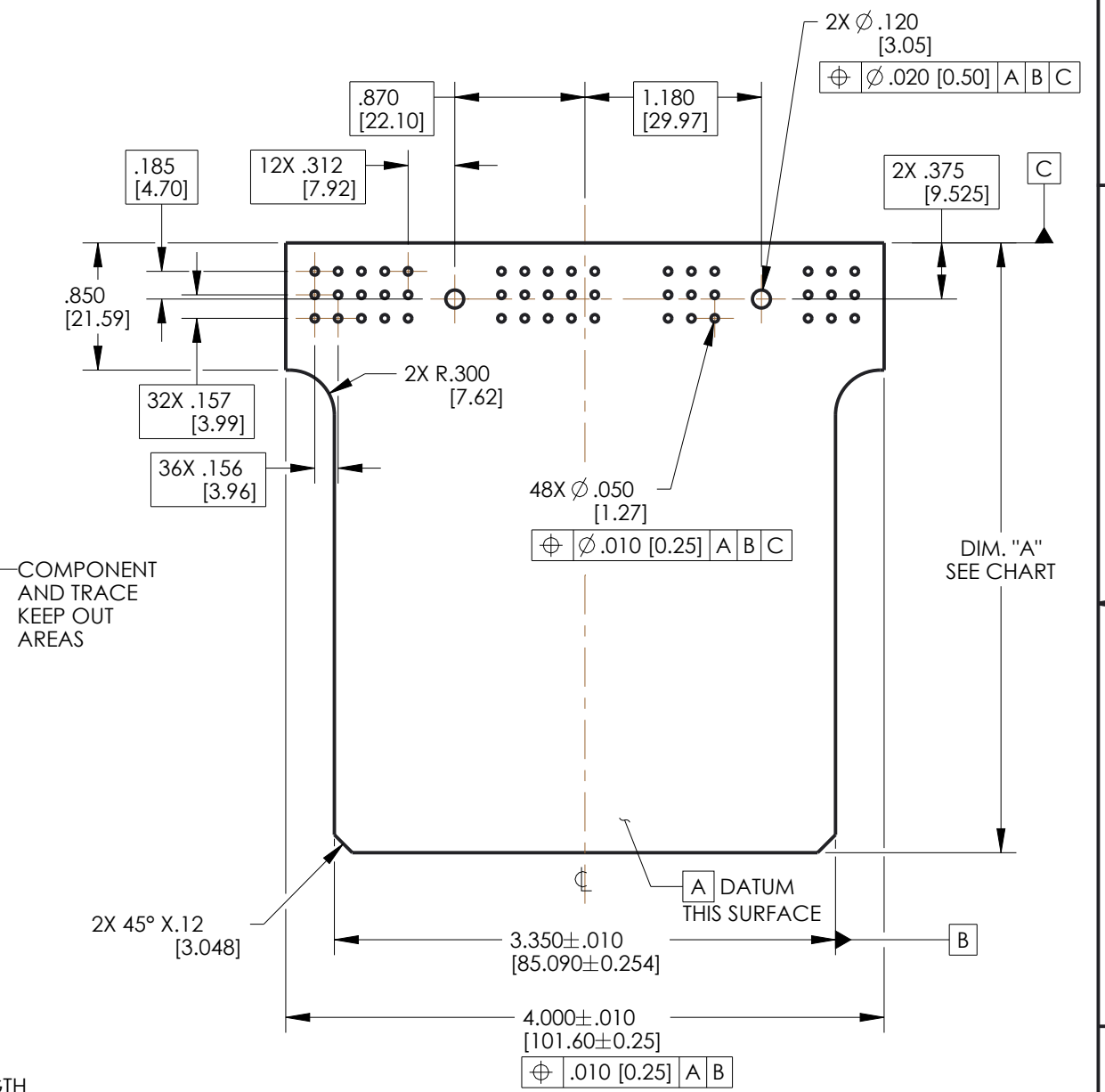
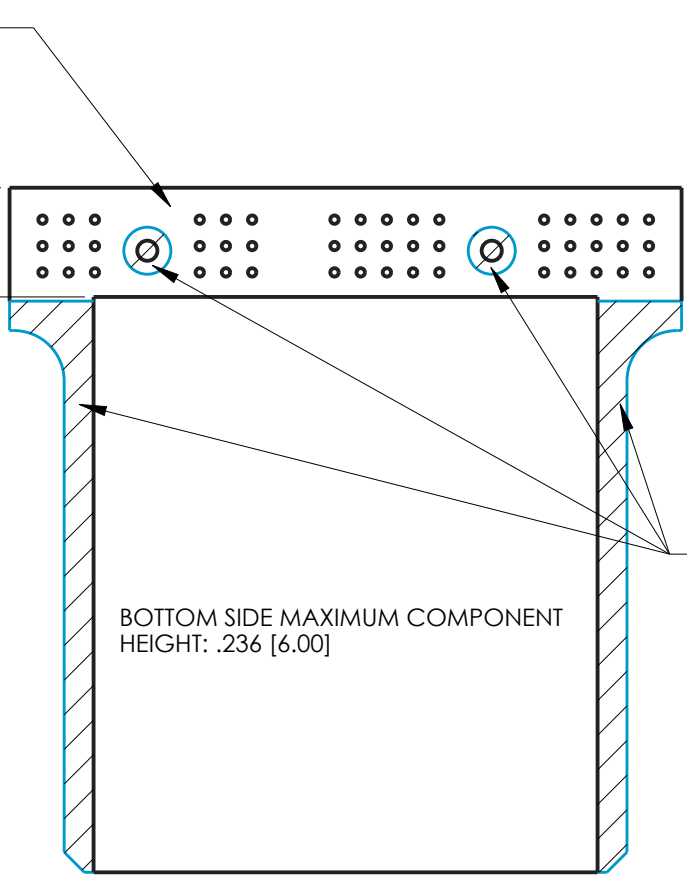
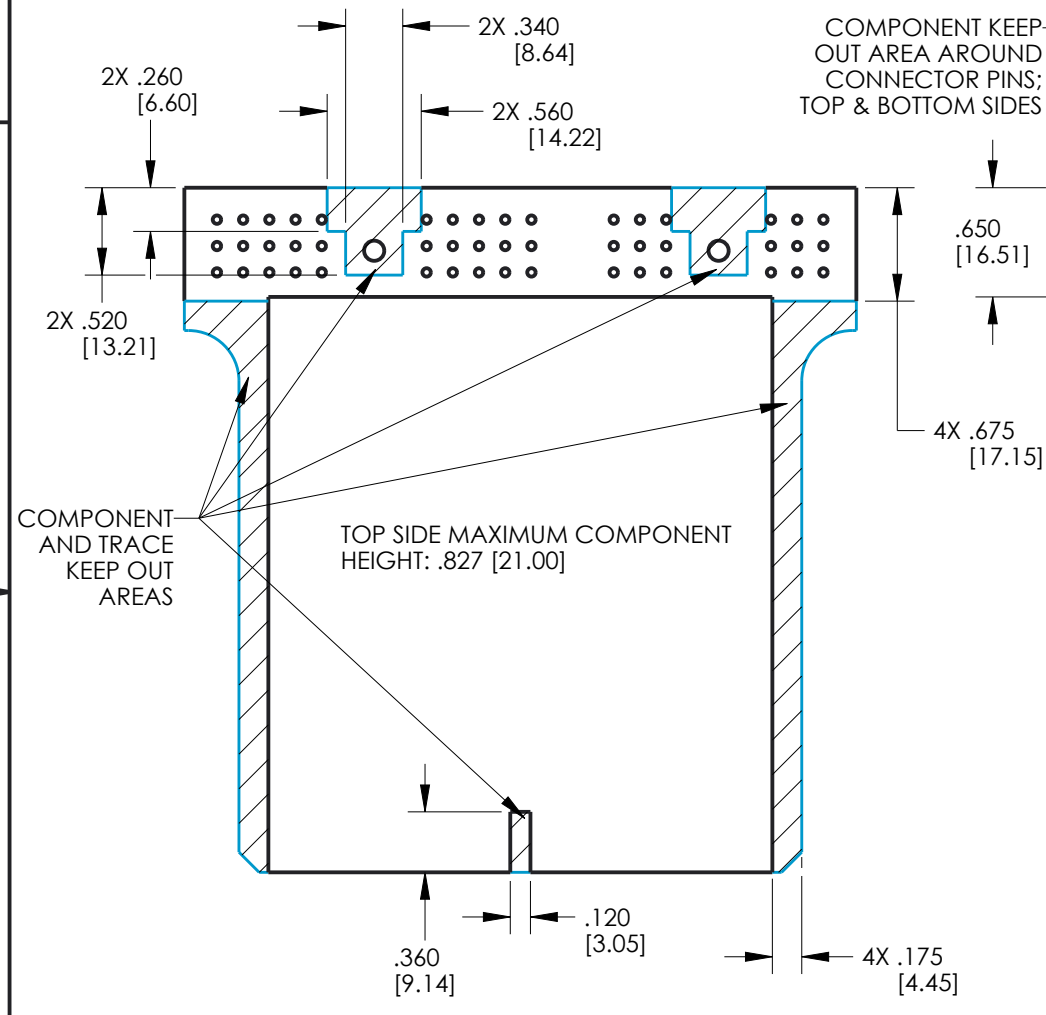
FOR PCB MOUNTING, #4 THREAD CUTTING SCREWS (TYPE 23 OR SIMILAR) ARE RECOMMENDED; TORQUE TO 2-3 IN*LBS [0.23-0.34Nm]

UNITS ENGLISH INCHES	CINCH		1700 FINLEY RD LOMBARD, IL. 60148
DO NOT SCALE DRAWING	TITLE 48-WAY HEADERS MODICE ME		
CONFIDENTIAL THIS DOCUMENT IS THE PROPERTY OF CINCH. NEITHER THIS DOCUMENT NOR ANY OF THE INFORMATION CONTAINED IN IT MAY BE DUPLICATED OR DISCLOSED WITHOUT PRIOR WRITTEN CONSENT OF CINCH. ©COPYRIGHT 2009 CINCH	CAD FILE NUMBER 5810148009S	DRAWING NUMBER 5810148009S	REV C
	CAGE IDENT NO. 71785	SIZE B	SCALE 1:1
			SHEET 2 OF 3

PCB TOP SIDE GENERAL ZONING AND KEEP-OUT AREAS

PCB BOTTOM SIDE GENERAL ZONING AND KEEP-OUT AREAS

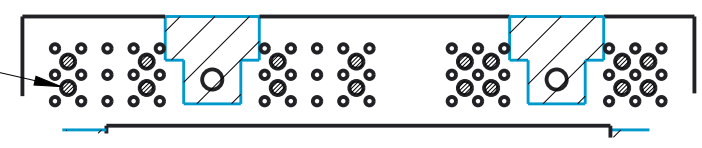
PCB OVERALL DIMENSIONS AND HOLE LOCATIONS



RECOMMENDED PCB LENGTH

DIM. "A" (SEE DRAWING)	USE WITH ENCLOSURE	
	PART NUMBER	DESCRIPTION
4.075±0.015 [103.53±0.38]	581 01 30 065	ME
	581 01 30 075	ME WITH BREATHER
2.375±0.015 [60.33±0.38]	581 01 30 090	MINI ME
	581 01 30 095	MINI ME WITH BREATHER

FERRITE SPACER FEET TRACE KEEP OUT AREAS (16 PLACES) SEE NOTE 5



PCB TOP SIDE PIN AREA WITH FERRITES DETAIL

UNITS ENGLISH INCHES	CINCH		1700 FINLEY RD LOMBARD, IL. 60148
DO NOT SCALE DRAWING	TITLE 48-WAY HEADERS MODICE ME		
PRO/E DRAWING			
CONFIDENTIAL THIS DOCUMENT IS THE PROPERTY OF CINCH. NEITHER THIS DOCUMENT NOR ANY OF THE INFORMATION CONTAINED IN IT MAY BE DUPLICATED OR DISCLOSED WITHOUT PRIOR WRITTEN CONSENT OF CINCH. ©COPYRIGHT 2009 CINCH	CAD FILE NUMBER 5810148009S	DRAWING NUMBER 5810148009S	REV C
	CAGE IDENT NO. 71785	SIZE B	SCALE 7:8
		SHEET 3 OF 3	