



Chipsmall Limited consists of a professional team with an average of over 10 year of expertise in the distribution of electronic components. Based in Hongkong, we have already established firm and mutual-benefit business relationships with customers from,Europe,America and south Asia,supplying obsolete and hard-to-find components to meet their specific needs.

With the principle of “Quality Parts,Customers Priority,Honest Operation,and Considerate Service”,our business mainly focus on the distribution of electronic components. Line cards we deal with include Microchip,ALPS,ROHM,Xilinx,Pulse,ON,Everlight and Freescale. Main products comprise IC,Modules,Potentiometer,IC Socket,Relay,Connector.Our parts cover such applications as commercial,industrial, and automotives areas.

We are looking forward to setting up business relationship with you and hope to provide you with the best service and solution. Let us make a better world for our industry!



## Contact us

Tel: +86-755-8981 8866 Fax: +86-755-8427 6832

Email & Skype: info@chipsmall.com Web: www.chipsmall.com

Address: A1208, Overseas Decoration Building, #122 Zhenhua RD., Futian, Shenzhen, China



# CINCH PART NUMBER MATRIX

DRAWING REVISIONS (RELEASE DATE ON FILE)			
REV	DOCUMENT	APP	APPROVAL DATE
D	CO 1985	V.RICE	9-11-12

**P/N: 5810160031**  
ENCLOSURE WITH TWO HEAT SINKS

**P/N: 5810160032**  
ENCLOSURE WITH ONE HEAT SINK

**P/N: 5810160033**  
ENCLOSURE WITHOUT HEAT SINKS

**P/N: 5810160037**  
ENCLOSURE WITH TWO HEAT SINKS & MEMBRANE VENT

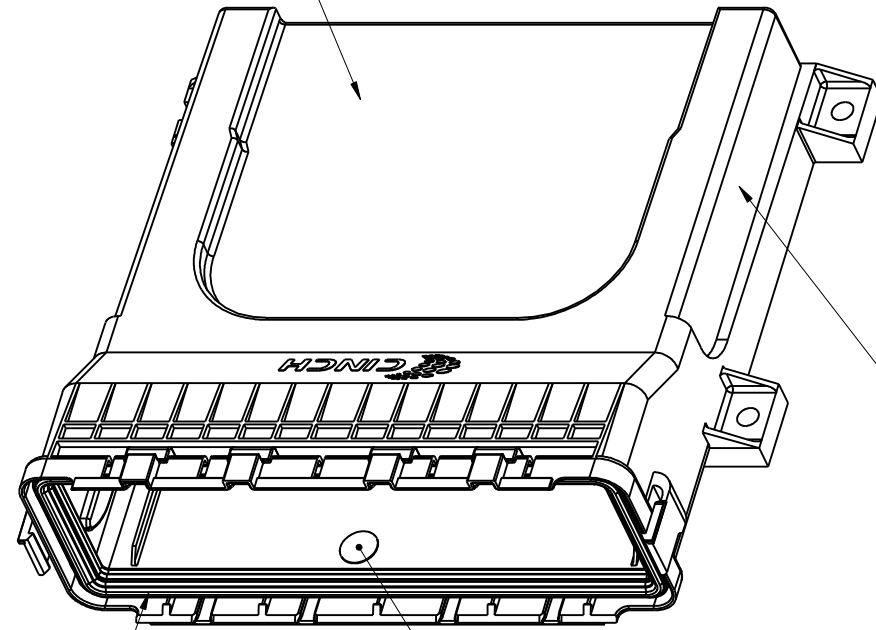
**P/N: 5810160038**  
ENCLOSURE WITH ONE HEAT SINK & MEMBRANE VENT

**P/N: 5810160039**  
ENCLOSURE WITHOUT HEAT SINKS & MEMBRANE VENT

- NOTE:**
- ALL DIMENSIONS ARE IN INCHES; DIMENSIONS IN [.XX] ARE IN mm AS REF. ONLY.
  - MATERIALS:**  
ENCLOSURE: 30 % GLASS FILLED POLYMER, COLOR BLACK;  
PERIPHERAL SEAL: SILICONE RUBBER, COLOR BLUE.  
HEAT SINK: ANODIZED ALUMINUM ALLOY.
  - HEADERS ARE SOLD SEPARATELY (CONSULT FACTORY FOR P/N);  
FOR PCB SIZE AND REQUIREMENTS REFER TO HEADER DRAWINGS.
  - STANDARD PACKAGE SIZE: 21 PARTS / CARTON BOX.

UNITS <b>ENGLISH INCHES</b>		RoHS COMPLIANT		MODELED BY:	
DO NOT SCALE DRAWING		PRO/E		1700 FINLEY RD LOMBARD, IL 60148	
UNLESS OTHERWISE SPECIFIED: ALL DIMENSIONS ARE IN INCHES		DESIGN ENGINEER B. KOSTIC	DATE 11/09/04	TITLE ENCLOSURE ASSEMBLY MODICE LE	
Fillet/Radii .02 MAX.		APPROVALS ON FILE		CONTROL SPEC NUMBER	
TOLERANCES X ± .1 XX ± .01 XXX ± .005 ANGULAR ± .5°				PROJECT NUMBER A 14562	
CONFIDENTIAL THIS DOCUMENT IS THE PROPERTY OF CINCH. NEITHER THIS DOCUMENT NOR ANY OF THE INFORMATION CONTAINED IN IT MAY BE DUPLICATED OR DISCLOSED WITHOUT PRIOR WRITTEN CONSENT OF CINCH. ©COPYRIGHT 2012 CINCH				CAGE IDENT NO. 71785	
				SCALE 1:3	SHEET 1 OF 2

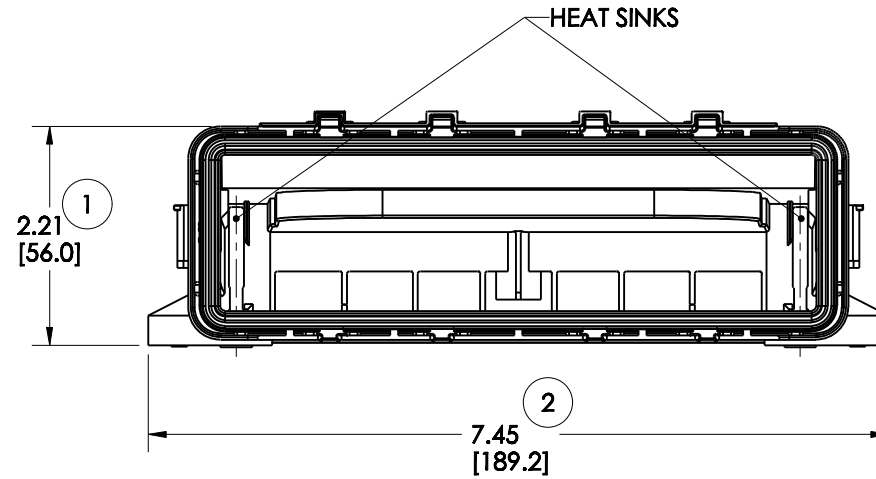
AREA SPECIFIED FOR LABELS  
(APPROX. 4.00" X 3.25" MAX.)



ENCLOSURE

PERIPHERAL SEAL

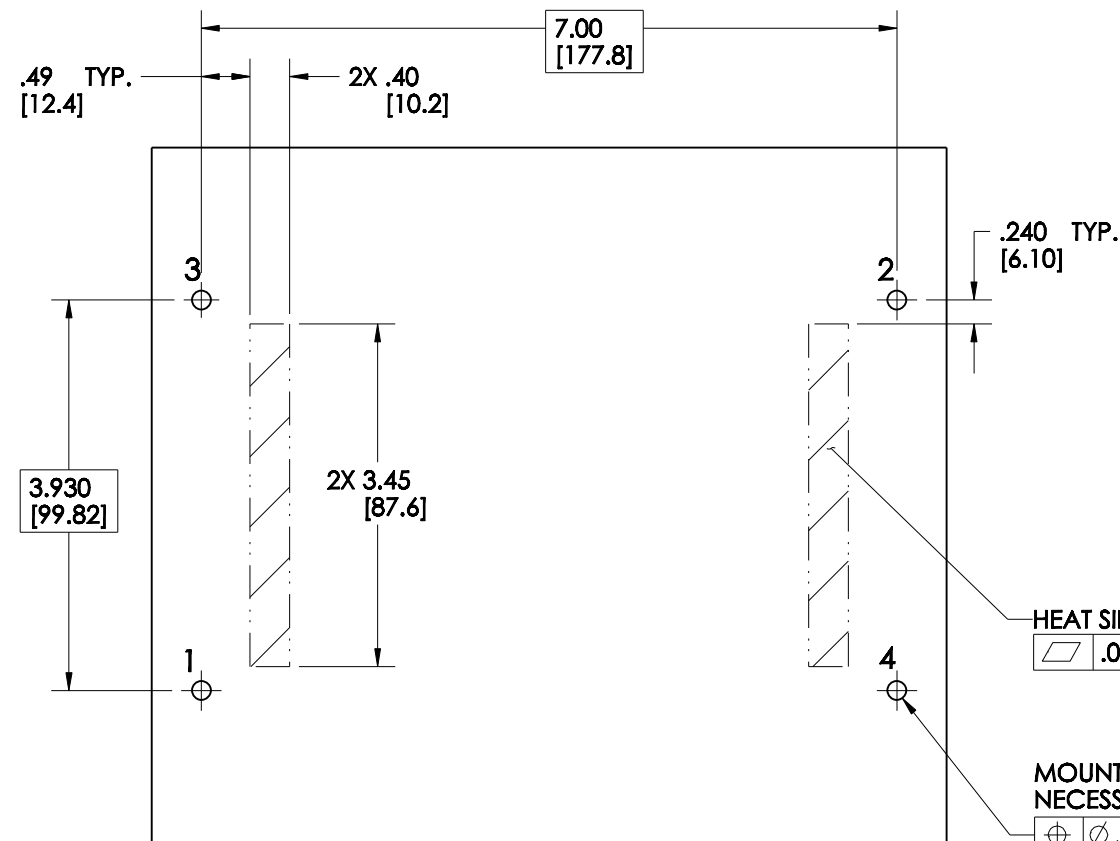
MEMBRANE VENT  
(IF ENCLOSURE HAS VENT)



HEAT SINKS

1  
2.21  
[56.0]

2  
7.45  
[189.2]



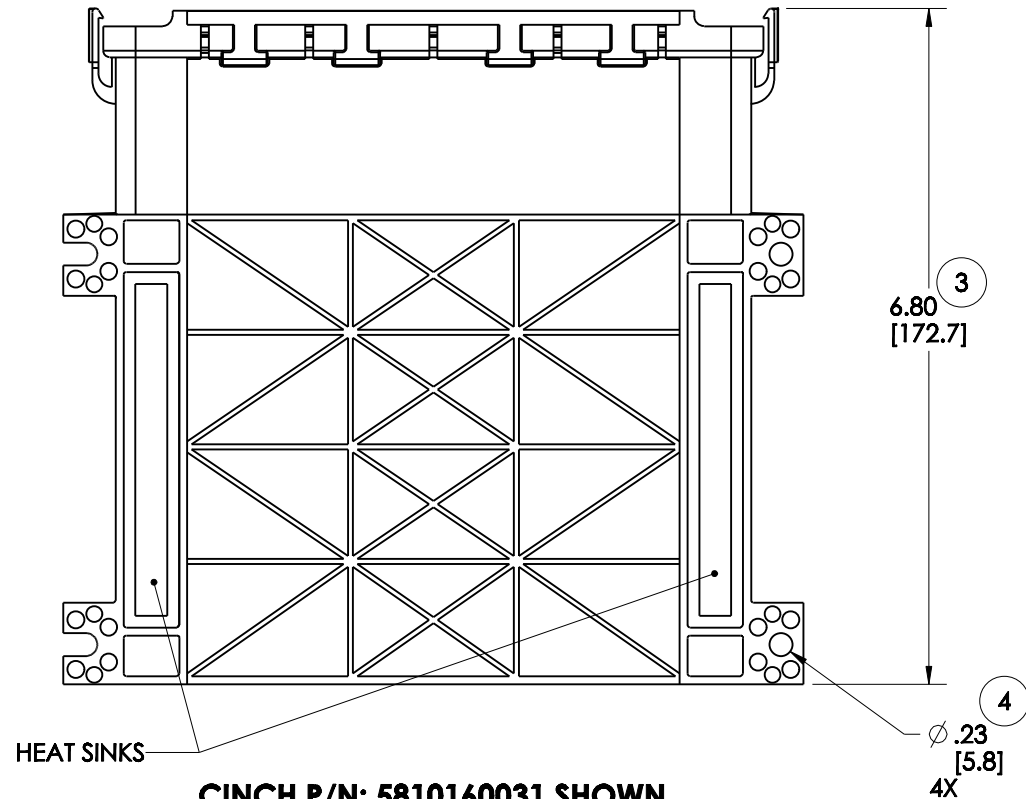
HEAT SINK CONTACT AREA  
□ .005 [.12] (2X)

MOUNTING HOLES. HOLE SIZING AND / OR TAPPING AS NECESSARY FOR CUSTOMER MOUNTING HARDWARE

⊕ ∅ .005 [.12] A

FASTENERS SHOULD BE TIGHTENED BY HAND AT EACH LOCATION, APPLYING EQUAL PRESSURE AGAINST MOUNTING SURFACE IN ALL LOCATIONS, THEN TORQUE TO 10-12 IN. LB. [1.13-1.36 Nm] FOLLOWING THE PATTERN SHOWN.  
TORQUE PATTERN: 1, 2, 3, 4

**MOUNTING BRACKET LAY-OUT  
SCALE 1:2**



HEAT SINKS

3  
6.80  
[172.7]

4  
∅ .23  
[5.8]  
4X

**CINCH P/N: 5810160031 SHOWN**

UNITS <b>ENGLISH INCHES</b>		<b>CINCH</b>		1700 FINLEY RD LOMBARD, IL. 60148	
DO NOT SCALE DRAWING		TITLE ENCLOSURE ASSEMBLY MODICE LE			
UNLESS OTHERWISE SPECIFIED: ALL DIMENSIONS ARE IN INCHES		PRO/E DRAWING			
FILLET/RADI .02 MAX.	TOLERANCES X ± .1 XX ± .01 XXX ± .005 ANGULAR ± .5°	CAD FILE NUMBER 5810160031S_JCE60	DRAWING NUMBER <b>5810160031S</b>	REV <b>D</b>	
CONFIDENTIAL THIS DOCUMENT IS THE PROPERTY OF CINCH. NEITHER THIS DOCUMENT NOR ANY OF THE INFORMATION CONTAINED IN IT MAY BE DUPLICATED OR DISCLOSED WITHOUT PRIOR WRITTEN CONSENT OF CINCH. ©COPYRIGHT 2012 CINCH		CAGE IDENT NO. 71785	SIZE B	SCALE 1:2	SHEET 2 OF 2