



Chipsmall Limited consists of a professional team with an average of over 10 year of expertise in the distribution of electronic components. Based in Hongkong, we have already established firm and mutual-benefit business relationships with customers from,Europe,America and south Asia,supplying obsolete and hard-to-find components to meet their specific needs.

With the principle of “Quality Parts,Customers Priority,Honest Operation,and Considerate Service”,our business mainly focus on the distribution of electronic components. Line cards we deal with include Microchip,ALPS,ROHM,Xilinx,Pulse,ON,Everlight and Freescale. Main products comprise IC,Modules,Potentiometer,IC Socket,Relay,Connector.Our parts cover such applications as commercial,industrial, and automotives areas.

We are looking forward to setting up business relationship with you and hope to provide you with the best service and solution. Let us make a better world for our industry!



Contact us

Tel: +86-755-8981 8866 Fax: +86-755-8427 6832

Email & Skype: info@chipsmall.com Web: www.chipsmall.com

Address: A1208, Overseas Decoration Building, #122 Zhenhua RD., Futian, Shenzhen, China





BOARD LEVEL COOLING – Extruded 5810

Extruded 5810 is a series of rectangular bi-directional board level heat sinks designed to cool TO-218, TO-220, and TO-220-single gauge devices. Representative image only.

ORDERING INFORMATION

Part Number	Device Type
581002B02500G	TO-220, TO-220-single gauge
581101B02500G	TO-218
581102B02100G	TO-220, TO-220-single gauge
581102B02500G	TO-220, TO-220-single gauge
581202B02500G	TO-220, TO-220-single gauge



HEAT SINK DETAILS

Property	Details
Material	Aluminum
Finish	Black Anodize
Device Attachment Options	Requires Mounting Kit
Thermal Interface Material	-

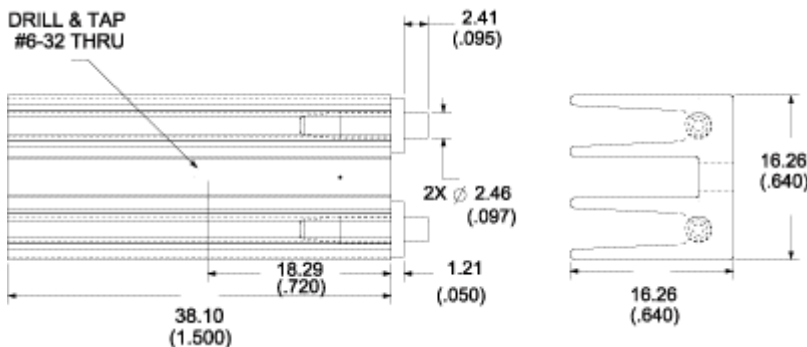
Property	Details
Heat Sink Width (mm)	16.26
Heat Sink Length (mm)	16.26
Heat Sink Height (mm)	See "A" Dim below
Heat Sink Mounting Direction	Vertical

MECHANICAL & PERFORMANCE

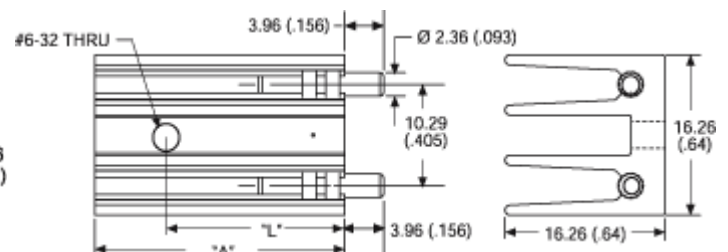
Drawing dimensions are shown in mm, (in)

Part Number	"A" Dim	"L" Dim	"X" Dim	"Y" Dim	"Z" Dim
581002B02500G	25.40	18.29	5.16 (0.203)	3.45 (0.136)	2.67 (0.105)
581101B02500G	38.10	21.59	5.16 (0.203)	3.45 (0.136)	2.67 (0.105)
581102B02100G	38.10	-	5.16 (0.203)	3.45 (0.136)	3.10 (0.122)
581102B02500G	38.10	18.29	5.16 (0.203)	3.45 (0.136)	2.67 (0.105)
581202B02500G	50.88	18.29	5.16 (0.203)	3.45 (0.136)	2.67 (0.105)

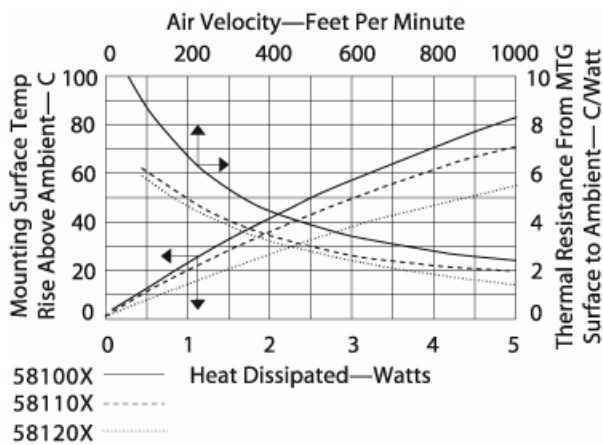
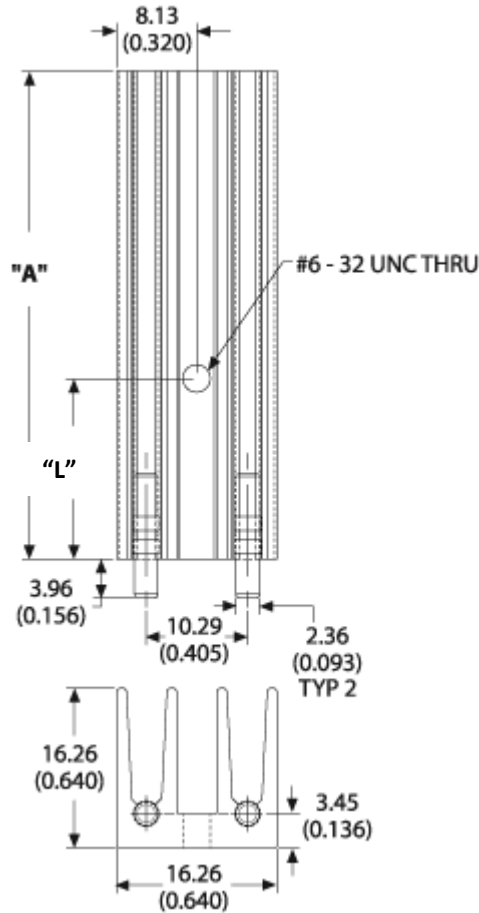
Part Number: 581102B02100G



Part Number: 581202B02500G



Part Number: 581002B02500G, 581101B02500G,
581102B02500G



Mounting Details:

