



Chipsmall Limited consists of a professional team with an average of over 10 year of expertise in the distribution of electronic components. Based in Hongkong, we have already established firm and mutual-benefit business relationships with customers from,Europe,America and south Asia,supplying obsolete and hard-to-find components to meet their specific needs.

With the principle of "Quality Parts,Customers Priority,Honest Operation,and Considerate Service",our business mainly focus on the distribution of electronic components. Line cards we deal with include Microchip,ALPS,ROHM,Xilinx,Pulse,ON,Everlight and Freescale. Main products comprise IC,Modules,Potentiometer,IC Socket,Relay,Connector.Our parts cover such applications as commercial,industrial, and automotives areas.

We are looking forward to setting up business relationship with you and hope to provide you with the best service and solution. Let us make a better world for our industry!



## Contact us

Tel: +86-755-8981 8866 Fax: +86-755-8427 6832

Email & Skype: info@chipsmall.com Web: www.chipsmall.com

Address: A1208, Overseas Decoration Building, #122 Zhenhua RD., Futian, Shenzhen, China



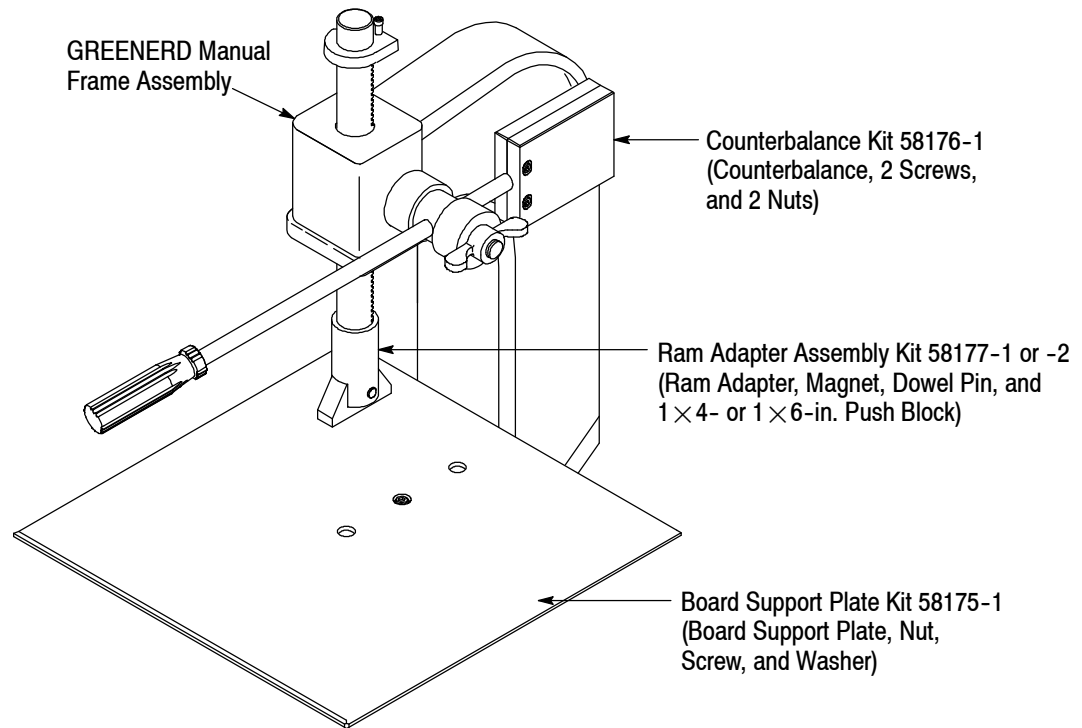


Figure 1

## 1. INTRODUCTION

Counterbalance Kit 58176-1, Ram Adapter Assembly Kit 58177-1 or 58177-2, and Board Support Plate Kit 58175-1 are designed to be installed onto GREENERD Manual Frame Assemblies 3A and 3B. These kits are used to adapt the frame assembly for seating connectors with ACTION PIN\* contacts onto a (pc) printed circuit board.

Read these instructions thoroughly before using the kits.

### NOTE



Dimensions in this instruction sheet are in millimeters [with inches in brackets]. Figures are not drawn to scale.

Reasons for reissue of this instruction sheet are provided in Section 5, REVISION SUMMARY.

## 2. DESCRIPTION

When properly assembled onto the frame assembly, the counterbalance kit balances the handle and ram, the board support plate kit supports the pc board during connector seating, and the ram adapter assembly kit prevents damage to the connector during seating.

## 3. INSTALLATION

Refer to Figure 1, and install the adapter kits as follows:

1. Install the counterbalance onto the handle of the frame assembly. Secure with the hardware.
2. Install the board support plate onto the base plate of the frame assembly. Insert the screw through the hole from the top of the plate. Secure with the hardware.

### NOTE



The board support plate can be installed in one of three positions. Choose the position that best supports the size of the pc board being used.

3. Insert the push block from the ram adapter assembly kit onto the ram adapter, making sure that the magnet in the ram adapter holds the push block. Install the ram adapter onto the ram of the frame assembly. Insert the dowel pin through the hole in the ram adapter.

## 4. REPLACEMENT AND REPAIR

Customer-replaceable parts are listed in Figure 2.

A complete inventory should be stocked and controlled to prevent lost time when replacement of

parts is necessary. Parts other than those listed should be replaced by TE to ensure quality and reliability. Order replacement parts through your representative, or call 1-800-526-5142, or send a facsimile of your purchase order to 717-986-7605, or write to:

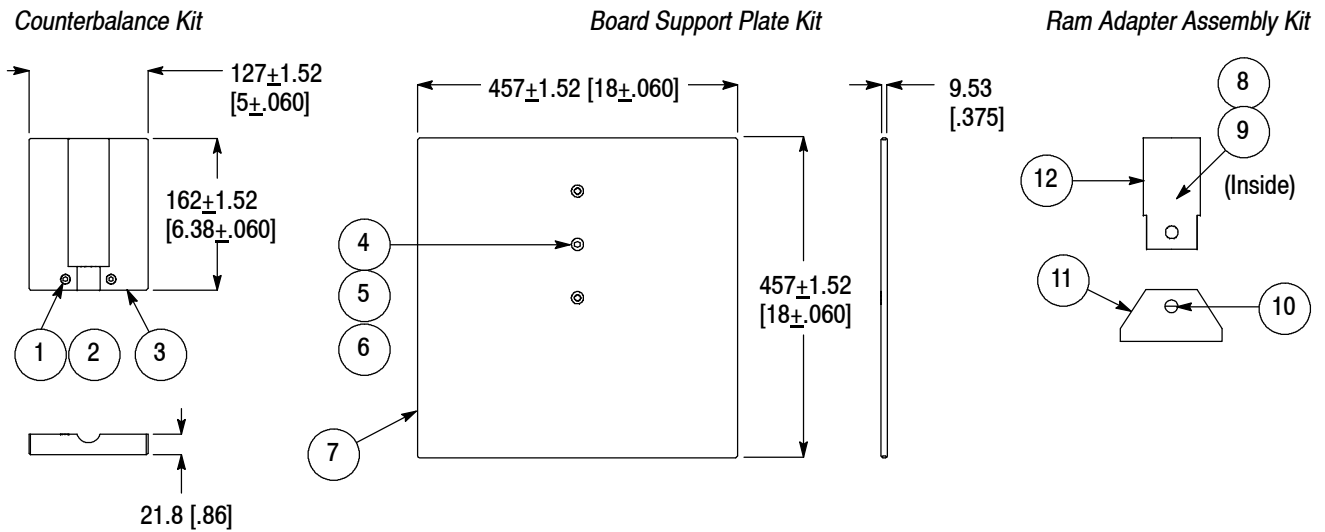
CUSTOMER SERVICE (038-035)  
 TYCO ELECTRONICS CORPORATION  
 PO BOX 3608  
 HARRISBURG PA 17105-3608

For customer repair service, call 1-800-526-5136.

### 5. REVISION SUMMARY

Revisions to this instruction sheet include:

- Updated document to corporate requirements



### REPLACEMENT PARTS

ITEM	PART NUMBER	DESCRIPTION	QTY PER KIT
1	1-21018-5	NUT, Hex, <sup>5</sup> / <sub>16</sub> -18	2
2	2-21001-2	SCREW, Socket Head Cap, <sup>5</sup> / <sub>16</sub> -18 × 1.50 L	2
3	312750-1	COUNTERBALANCE	2
4	1-21018-5	NUT, Hex, <sup>5</sup> / <sub>16</sub> -18	1
5	5-21003-1	SCREW, Socket Head Cap, <sup>5</sup> / <sub>16</sub> -18 × 1.75 L	1
6	21055-9	WASHER, Flat, <sup>5</sup> / <sub>16</sub>	1
7	312749-1	PLATE, Board Support	1
8	3-21000-4	SCREW, Socket Head Cap, 10-32 × .38 L	1
9	20908-1	MAGNET, 1.38 D × 1.19 L	1
10	6-21030-8	PIN, Dowel, .50 D × 2.25 L	1
11	312751-1	PUSH BLOCK, 25.4 × 102 [1 × 4] (Included with Kit 58177-1)	1
	312751-2	PUSH BLOCK, 25.4 × 152 [1 × 6] (Included with Kit 58177-2)	1
12	312752-1	ADAPTER, Ram	1

Figure 2