



Chipsmall Limited consists of a professional team with an average of over 10 year of expertise in the distribution of electronic components. Based in Hongkong, we have already established firm and mutual-benefit business relationships with customers from,Europe,America and south Asia,supplying obsolete and hard-to-find components to meet their specific needs.

With the principle of “Quality Parts,Customers Priority,Honest Operation,and Considerate Service”,our business mainly focus on the distribution of electronic components. Line cards we deal with include Microchip,ALPS,ROHM,Xilinx,Pulse,ON,Everlight and Freescale. Main products comprise IC,Modules,Potentiometer,IC Socket,Relay,Connector.Our parts cover such applications as commercial,industrial, and automotives areas.

We are looking forward to setting up business relationship with you and hope to provide you with the best service and solution. Let us make a better world for our industry!



Contact us

Tel: +86-755-8981 8866 Fax: +86-755-8427 6832

Email & Skype: info@chipsmall.com Web: www.chipsmall.com

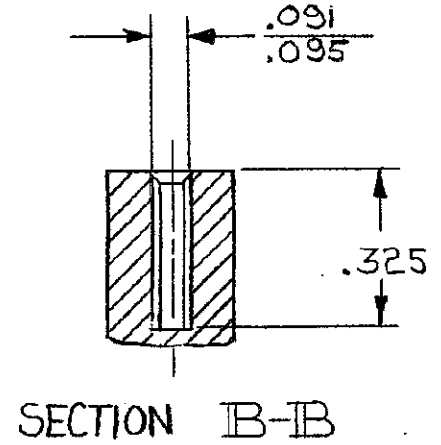
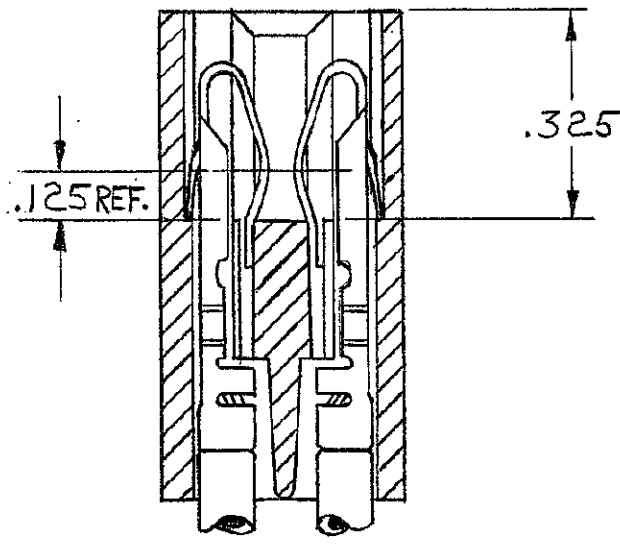
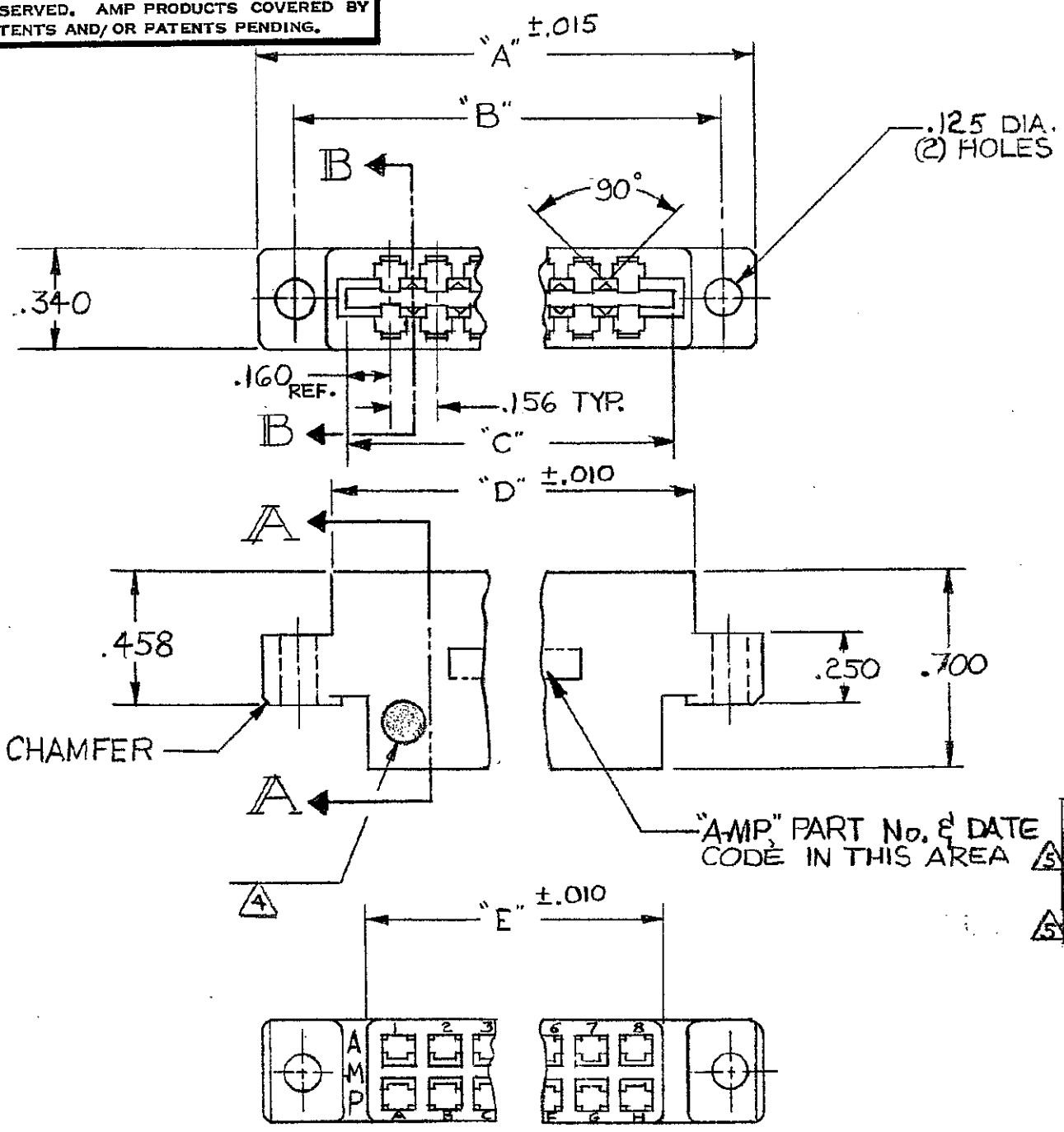
Address: A1208, Overseas Decoration Building, #122 Zhenhua RD., Futian, Shenzhen, China



NUMBER 582140

©1960 BY AMP INCORPORATED. ALL RIGHTS RESERVED. AMP PRODUCTS COVERED BY PATENTS AND/OR PATENTS PENDING.

REVISIONS				
ZONE	LTR	DESCRIPTION	DATE	APPROVED
	T	REDRAWN & REVISED	Y-152, Y-142	2-4-66 ER. D.H.
	T1	ADDED - 7	2782	11-24-70 m.s. D.H.
✓	U	REVISED NOTE 4	7490	8-4-81 Pk
✓	V	REV PER 0010-1585-95		2-27-97 P.B./K.W.K.
✓	W	OBS-2 PER EC 0320-354-97		05 JAN 98 DW



PART No.	"A"	"B"	"C"	"D"	"E"	MATERIAL
582140-2	1.985	1.770	1.411	1.552	1.290	SEE NOTE #2
582140-5	1.982	$1.767^{+0.007}$	1.410	1.550	1.288	SEE NOTE #3
582140-7	1.982	1.767	1.410	1.550	1.288	SEE NOTE #3

NOTE:
 1. .055-.070 BOARD THICKNESS.
 2. DIALYL PHTHALATE, GLASS FILLED PER MIL-M-14F TYPE SDGF. COLOR BLUE.
 3. PHENOLIC - COLOR - BLACK.

△ STAMPED WITH $\pm .015$.250 DIA. WHITE DOT ON LOWER LEFT HAND CORNER ON EITHER SIDE OF HOUSING

△ OBSOLETE PART NUMBER.

UNLESS OTHERWISE SPECIFIED DIM. ARE IN INCHES. TOLERANCES ON: DECIMALS ±.005 ANGLES ± #		CONTRACT NO.		AMP INCORPORATED HARRISBURG, PENNSYLVANIA	
MATERIAL SEE CHART		DR E. Benninger 2-4-66		NAME AMP	
AMP INFO		CHK J.S. Heide 2/8/66		8 DUAL AMP-LEAF HOUSING	
LOC FT		APPR R. Shuman 2/8/66		SIZE B	
PRINT DIST 22		DSGN APPD R. Holliday 2/9/66		CODE IDENT NO. 00779	
HEAT TREAT //		OTHER APPD		NUMBER 582140	
FINISH //				SCALE 2-1	
				WT CALC ACTUAL //	
				SHEET 1 OF 1	