



Chipsmall Limited consists of a professional team with an average of over 10 year of expertise in the distribution of electronic components. Based in Hongkong, we have already established firm and mutual-benefit business relationships with customers from,Europe,America and south Asia,supplying obsolete and hard-to-find components to meet their specific needs.

With the principle of “Quality Parts,Customers Priority,Honest Operation,and Considerate Service”,our business mainly focus on the distribution of electronic components. Line cards we deal with include Microchip,ALPS,ROHM,Xilinx,Pulse,ON,Everlight and Freescale. Main products comprise IC,Modules,Potentiometer,IC Socket,Relay,Connector.Our parts cover such applications as commercial,industrial, and automotives areas.

We are looking forward to setting up business relationship with you and hope to provide you with the best service and solution. Let us make a better world for our industry!



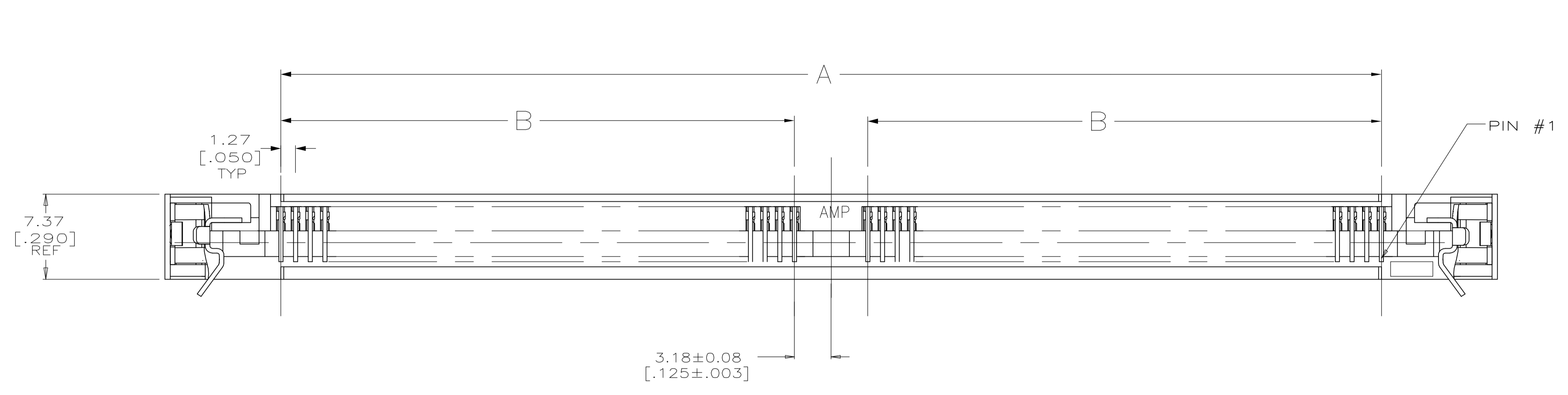
Contact us

Tel: +86-755-8981 8866 Fax: +86-755-8427 6832

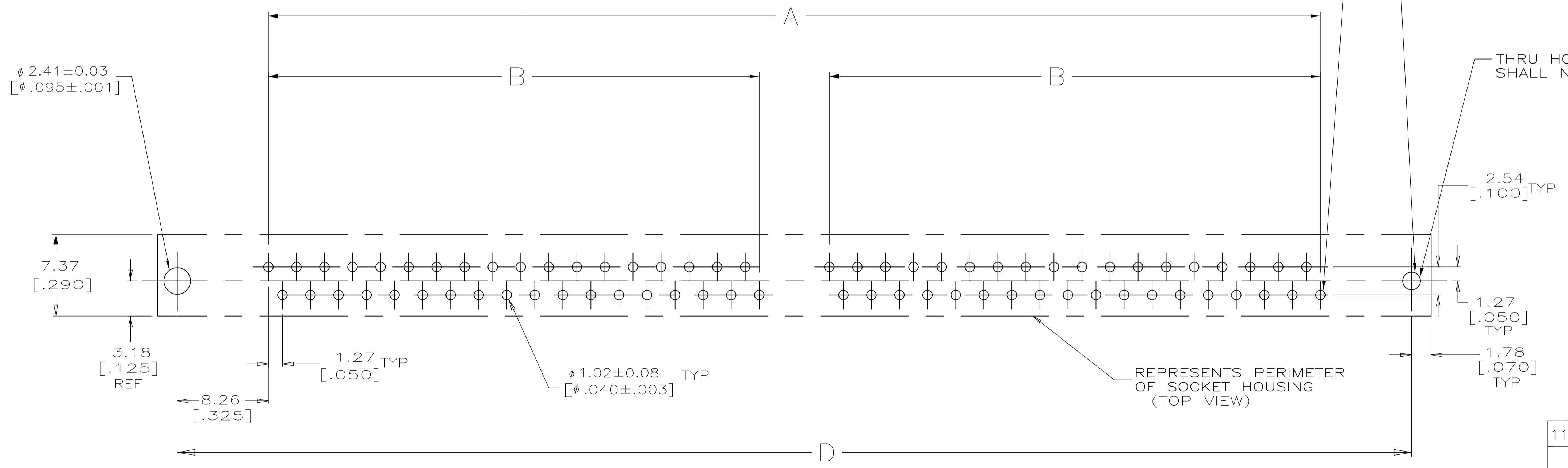
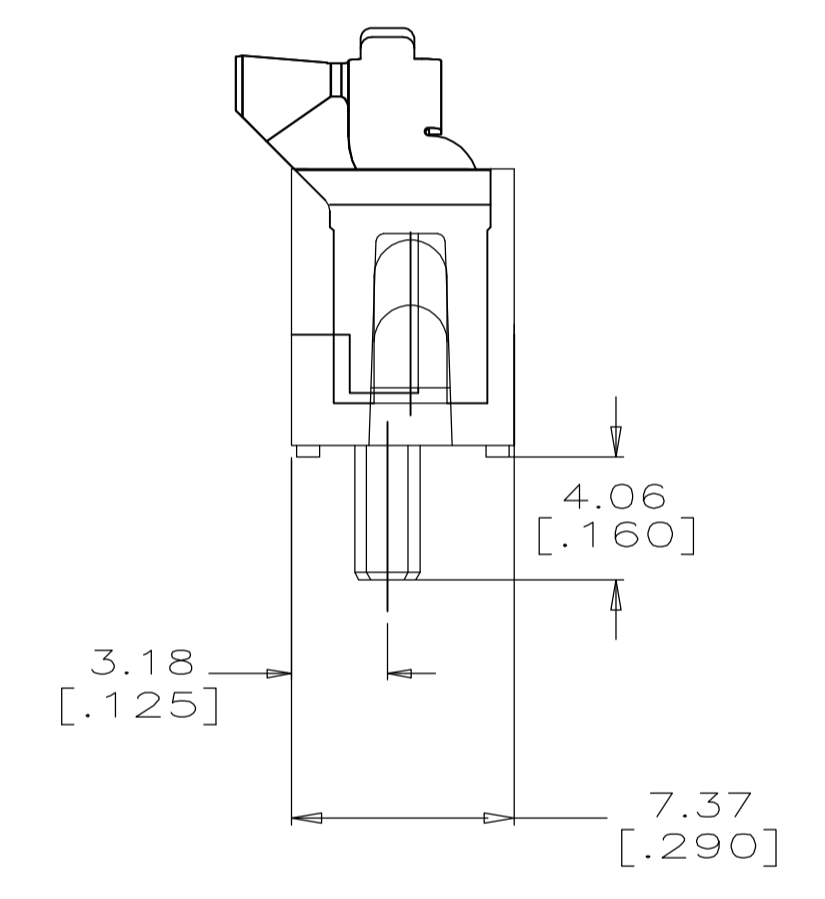
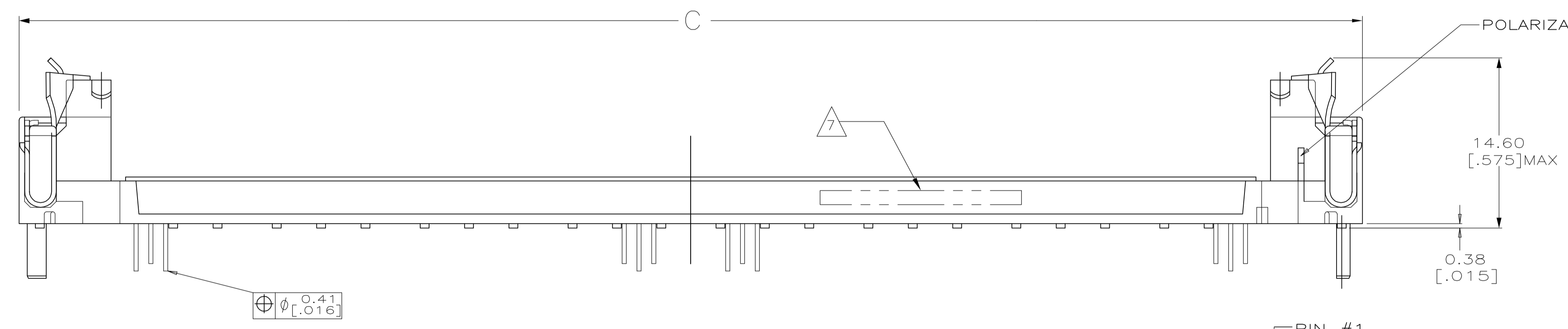
Email & Skype: info@chipsmall.com Web: www.chipsmall.com

Address: A1208, Overseas Decoration Building, #122 Zhenhua RD., Futian, Shenzhen, China



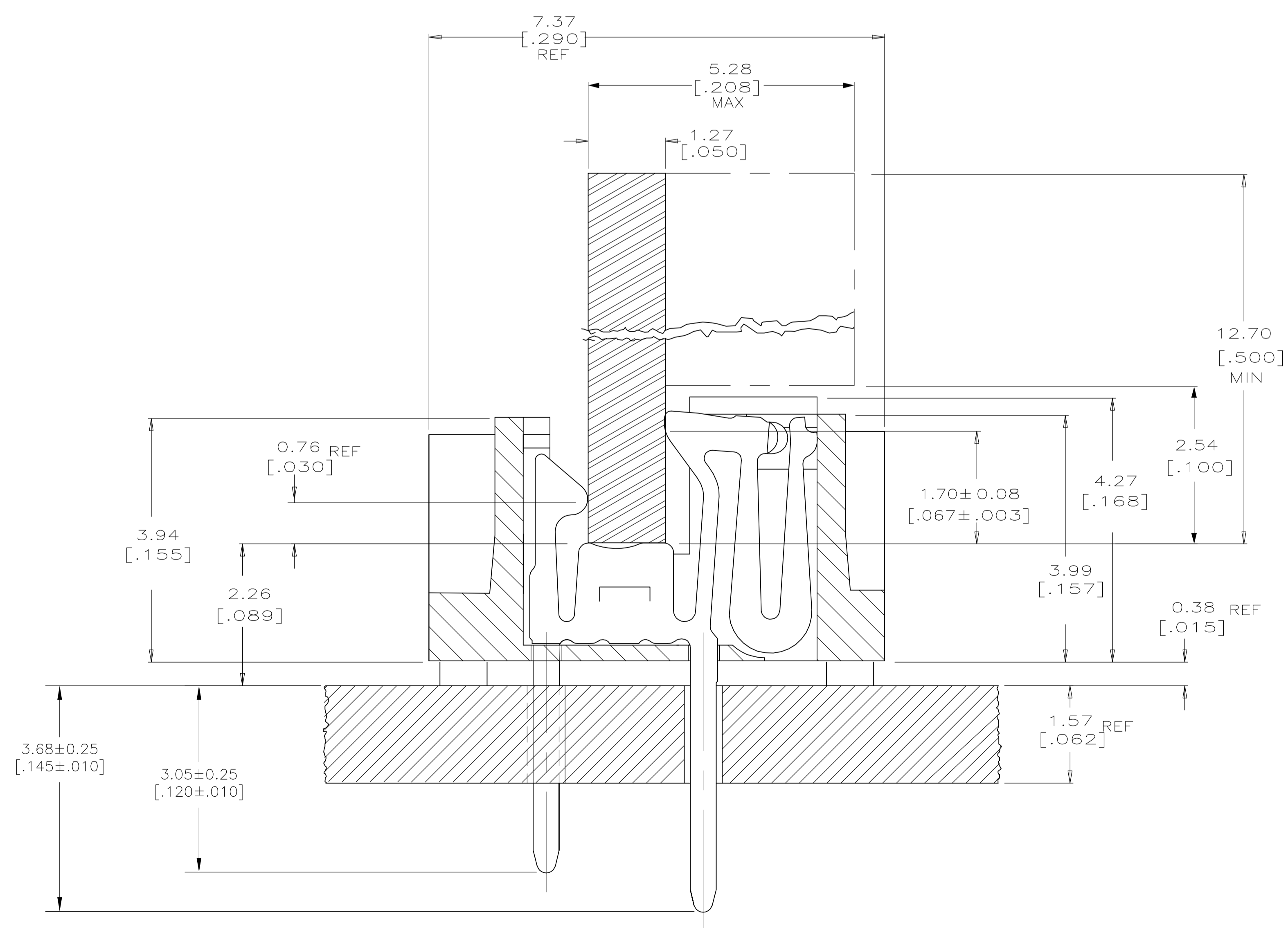
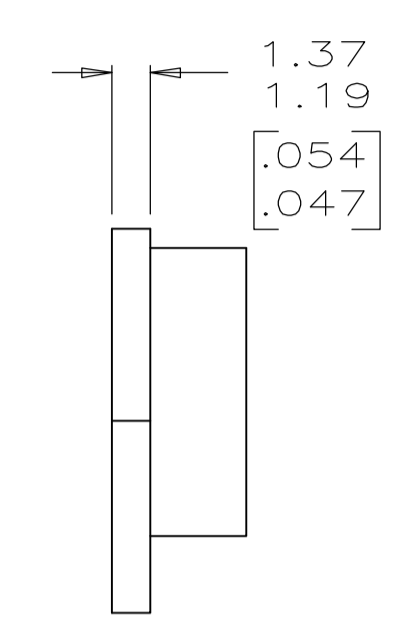
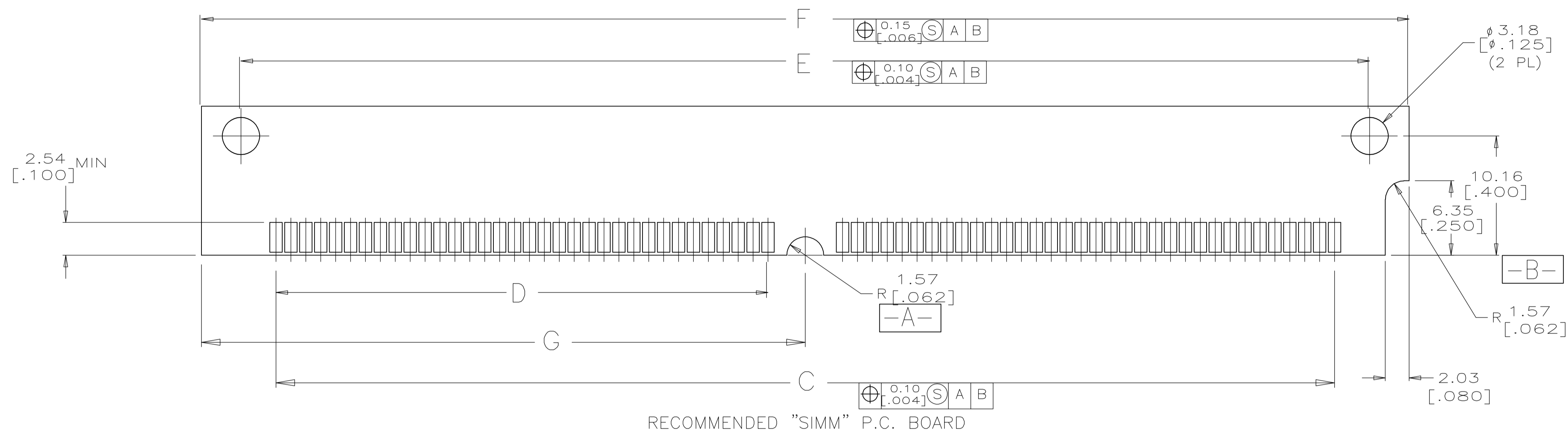


- ① HOUSING-MATERIAL: LIQUID-CRYSTAL-POLYMER.
- ② CONTACT-MATERIAL: PHOS. BRONZE, AMP 100-255.
- ③ LATCH-MATERIAL: BRASS, AMP 100-86 NICKEL PLATE 0.00127[.000050] MIN PER AMP SPEC 112-25-1.
- ④ CONTACT-PLATE: 0.00508[.000200] MIN MATTE TIN OVER 0.00127[.000050]MIN NICKEL.
- 5. IN ADDITION TO THOSE RECOMMENDED "SIMM" P. C. BOARD DIMENSIONS AND TOLERANCES SHOWN, ALL JEDEC SPECIFICATIONS APPLY AS SHOWN ON MO-116, ISSUE A.
- 6. RECOMMENDED MATING S.I.M.M. TAB METALLURGY: BASE METAL-COPPER. PLATING TO BE 0.00762[.000300] MIN TIN/LEAD OVER 0.00127[.000050] MIN NICKEL.
- ⑦ DATE CODE: (YEAR WEEK) XXXX FORMAT, LOCATED APPROXIMATELY AS SHOWN ON OPPOSITE SIDE.



RECOMMENDED P.C. BOARD HOLE PATTERN SOCKET SIDE

| | | | | | |
|----------------------------------------|---------------|----------------------------------------|------------------|-----------------------------------------------------------|-----------|
| 111.76[4.400] | 115.32[4.540] | 44.45[1.750] | 95.25[3.750] | 72 | 5822019-4 |
| D | C | B | A | NO. OF POS | PART NO |
| THIS DRAWING IS A CONTROLLED DOCUMENT. | | DIN S. WAITMAN GJK M. YFOMANS | SJANOS SJANOS | Tyco Electronics Corporation Harrisburg, PA 17105-3608 | |
| DIMENSIONS: mm [INCHES] | | TOLERANCES UNLESS OTHERWISE SPECIFIED: | | PRODUCT SPEC | |
| 0 PLC ± - | | 1 PLC ± - | | APPLICATION SPEC | |
| 2 PLC ± - | | 3 PLC ± 0.13[.005] | | SIZE | |
| 4 PLC ± - | | ANGLES ± - | | CAGE CODE | |
| MATERIAL | | FINISH | | DRAWING NO | |
| ①②③ | | ③④ | | A1 00779C=5822019 | |
| CUSTOMER DRAWING | | SCALE 4:1 | | SHEET 1 OF 2 | |



| | | | | | |
|--------------------------------|----------------|----------------|---------------|---------------|-------------|
| 53.98 [2.125] | 107.95 [4.250] | 101.19 [3.984] | 44.45 [1.750] | 95.25 [3.750] | 72 |
| G | F | E | D | C | NO. OF POSN |
| RECOMMENDED "SIMM" P.C. BOARDS | | | | | |

| | | | | | |
|----------------------------------------|----------------------|---------------------|---------------|---------------------------------------------------------------------|--------------|
| THIS DRAWING IS A CONTROLLED DOCUMENT. | | DWG: S. WAITMAN | DATE: 5/20/80 | Tyco Electronics Corporation Harrisburg, PA 17105-3608 | |
| DIMENSIONS: mm [INCHES] | | CHK: M. YFOMANS | DATE: 5/20/80 | Tyco Electronics Corporation | |
| TOLERANCES UNLESS OTHERWISE SPECIFIED: | | APVD: M. YFOMANS | | NAME: CONNECTOR, MICRO-EDGE, .050q VERTICAL, TIN PLATE, METAL LATCH | |
| 0 PLG ± - | 1 PLG ± - | PRODUCT SPEC: - | | SIZE: A1 | |
| 2 PLG ± - | 3 PLG ± 0.13 [0.005] | APPLICATION SPEC: - | | CAGE CODE: 5822019 | |
| 4 PLG ± - | ANGLES ± - | WEIGHT: - | | DRAWING NO: 5822019 | |
| MATERIAL: SEE SHEET 1 | | FINISH: SEE SHEET 1 | | RESTRICTED TO: - | |
| CUSTOMER DRAWING | | | | SCALE: 4:1 | SHEET 2 OF 2 |