



Chipsmall Limited consists of a professional team with an average of over 10 year of expertise in the distribution of electronic components. Based in Hongkong, we have already established firm and mutual-benefit business relationships with customers from,Europe,America and south Asia,supplying obsolete and hard-to-find components to meet their specific needs.

With the principle of “Quality Parts,Customers Priority,Honest Operation,and Considerate Service”,our business mainly focus on the distribution of electronic components. Line cards we deal with include Microchip,ALPS,ROHM,Xilinx,Pulse,ON,Everlight and Freescale. Main products comprise IC,Modules,Potentiometer,IC Socket,Relay,Connector.Our parts cover such applications as commercial,industrial, and automotives areas.

We are looking forward to setting up business relationship with you and hope to provide you with the best service and solution. Let us make a better world for our industry!



Contact us

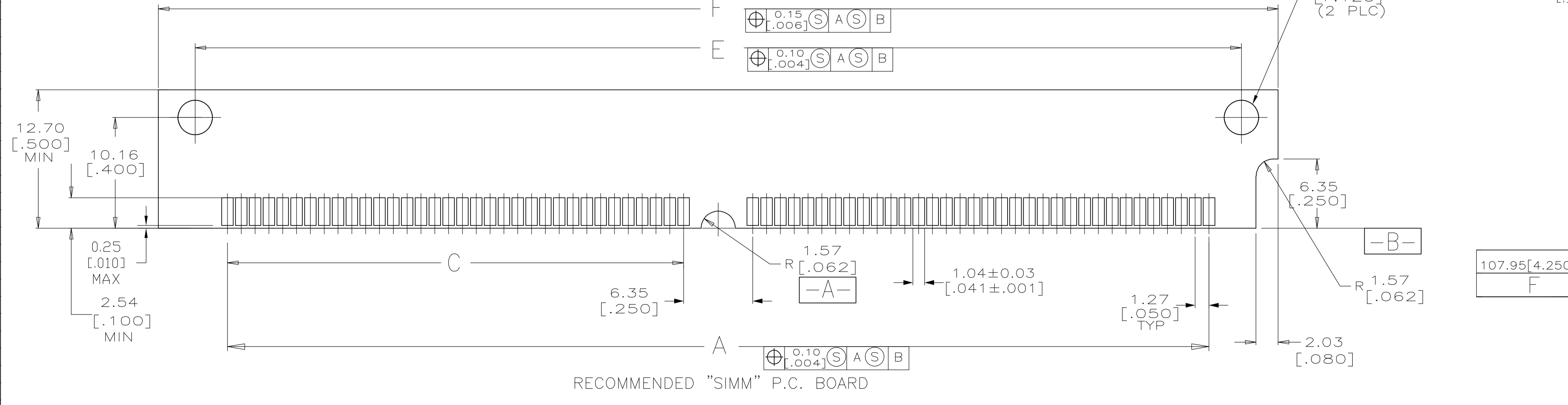
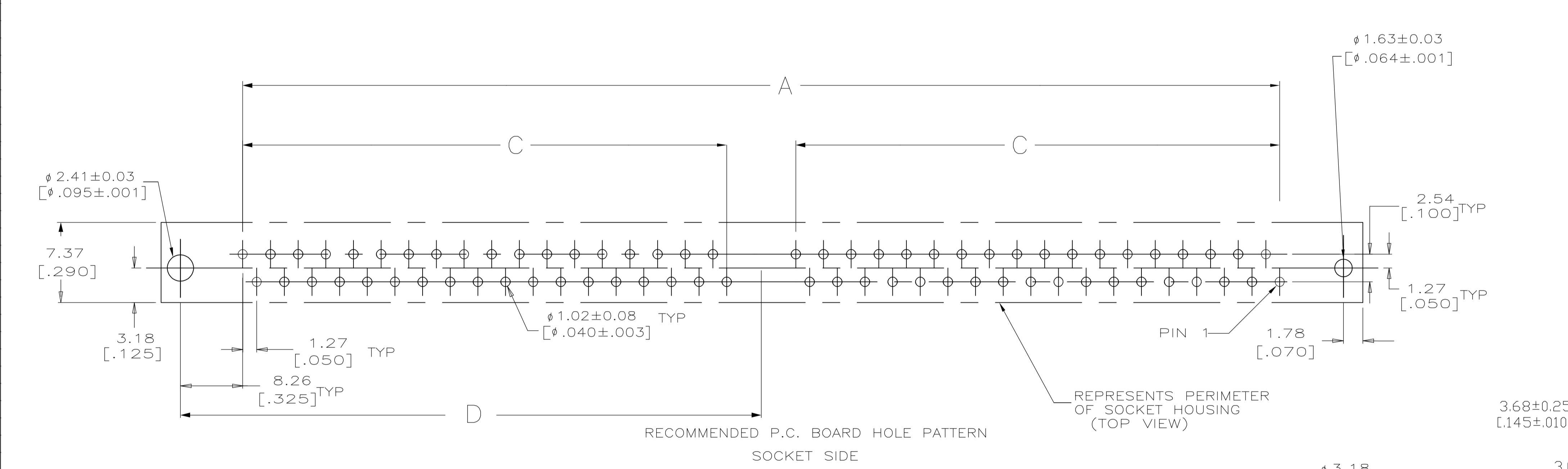
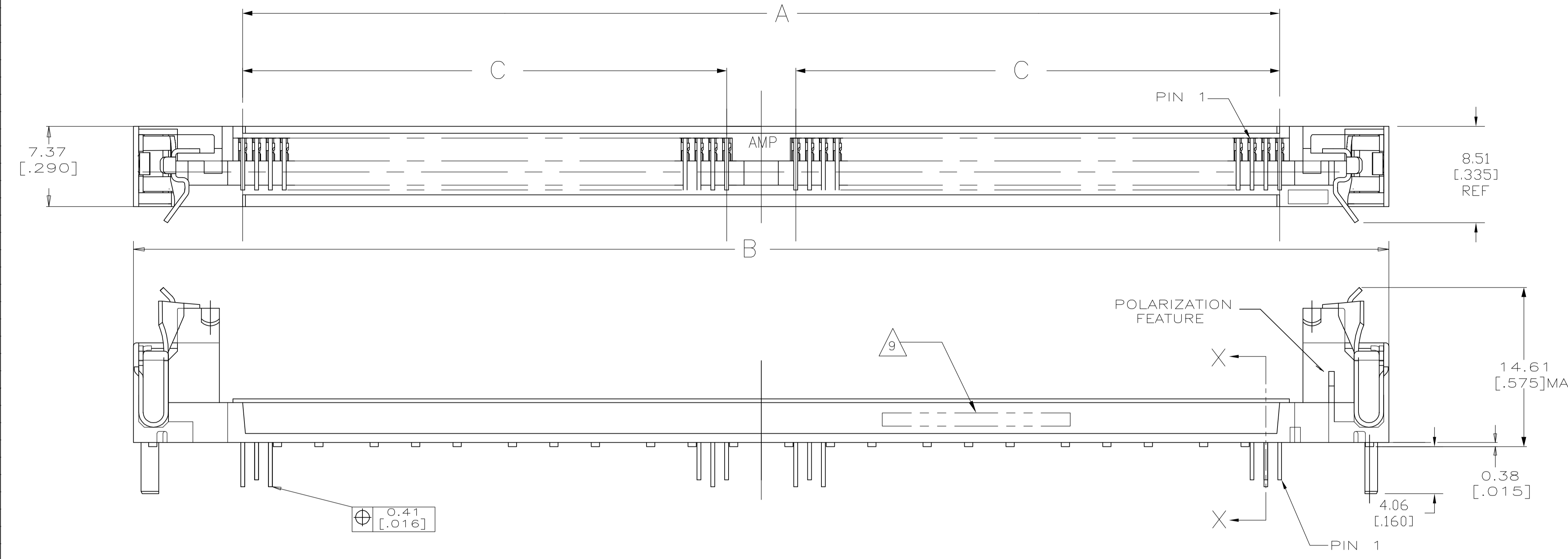
Tel: +86-755-8981 8866 Fax: +86-755-8427 6832

Email & Skype: info@chipsmall.com Web: www.chipsmall.com

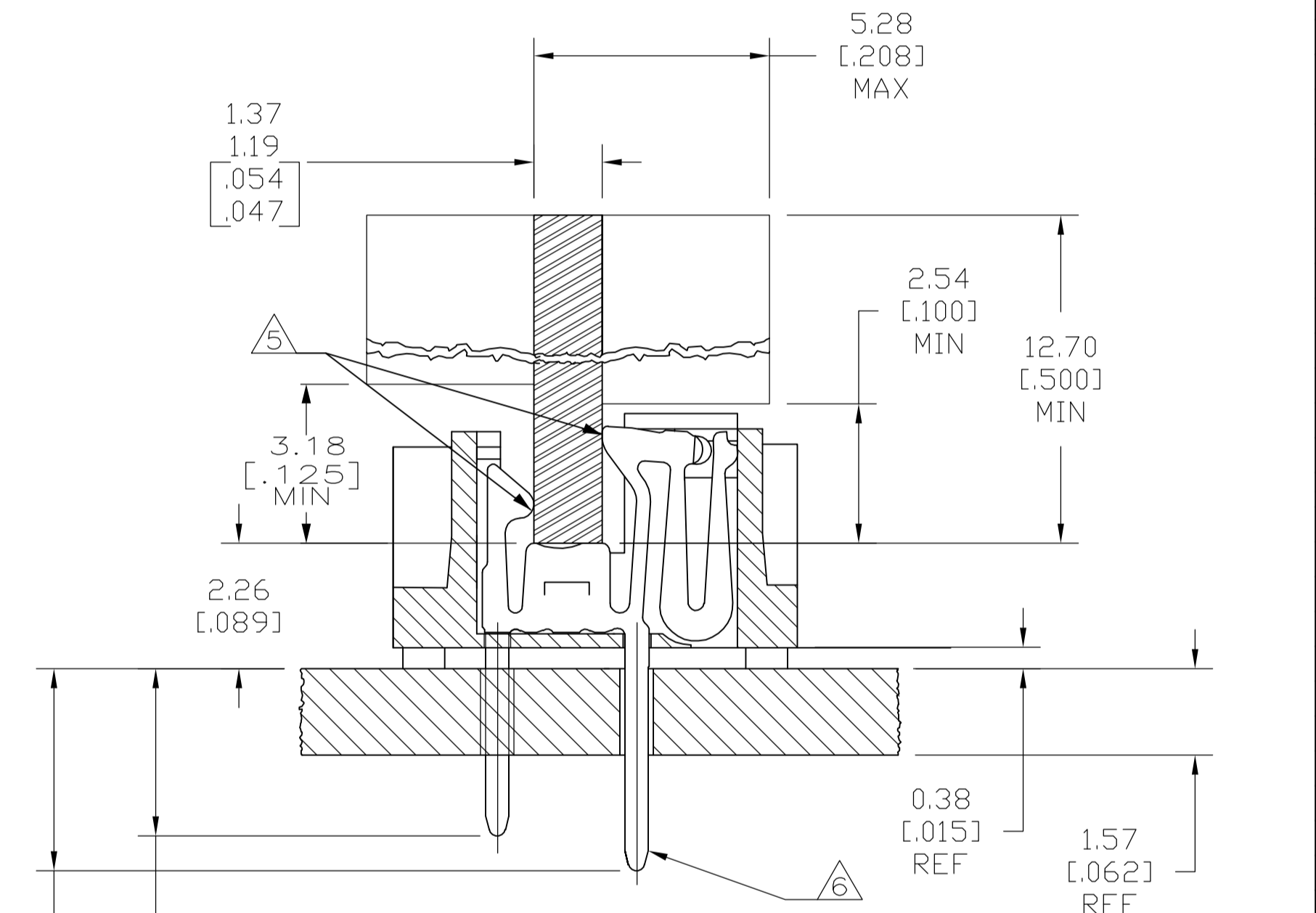
Address: A1208, Overseas Decoration Building, #122 Zhenhua RD., Futian, Shenzhen, China



LOC		DIST		REVISIONS			
GP	00	P	LTR	DESCRIPTION	DATE	DWN	APVD
		B		REVISED PER ECO-06-002423	08JUN06	JDP	MDB



- △ HOUSING-MATERIAL : LIQUID-CRYSTAL-POLYMER, COLOR:NATURAL.
- △ CONTACT-MATERIAL : PHOS. BRONZE.
- △ LATCH-MATERIAL : BRASS, NICKEL PLATE.
- △ CONTACT-PLATE 0.00127 [.000050] MIN NICKEL ALL OVER.
- △ CONTACT-PLATE 0.00076 [.000030] MIN. GOLD AT CONTACT PTS.
- △ CONTACT SOLDERDETAILS-PLATE 0.00508 [.000200] MIN MATTE TIN.
- 7. IN ADDITION TO THOSE RECOMMENDED "SIMM" P.C. BOARD DIMENSIONS AND TOLERANCES SHOWN, ALL JEDEC SPECIFICATIONS APPLY AS SHOWN ON MO-116, ISSUE A.
- 8. RECOMMENDED MATING S.I.M.M. TAB METALLURGY:
 BASE METAL-COPPER. PLATING TO BE 0.00076 [.000030] MIN GOLD OVER 0.00127 [.000050] MIN NICKEL.
- △ DATE CODE: (YEAR WEEK) XXXX FORMAT, LOCATED APPROXIMATELY AS SHOWN ON OPPOSITE SIDE.



107.95	101.19	55.88	44.45	115.57	95.25	72	5822031-4
F	E	D	C	B	A	NO OF POSN	PART NO
THIS DRAWING IS A CONTROLLED DOCUMENT.							
DIMENSIONS: mm [INCHES]		TOLERANCES UNLESS OTHERWISE SPECIFIED:		APVD: M.Y.FOMANS		Tyco Electronics Corporation Harrisburg, PA 17105-3608	
0 PLC ± - 1 PLC ± - 2 PLC ± - 3 PLC ± 0.13(.005) 4 PLC ± - ± - ANGLES ± - ± -		0.15 [.006] (S) A (S) B 0.10 [.004] (S) A (S) B		NAME: M.Y.FOMANS PRODUCT SPEC: - APPLICATION SPEC: -		CONNECTOR, MICRO-EDGE, .050, VERTICAL, GOLD PLATE, METAL LATCH	
MATERIAL: 1 2 3		FINISH: 3 4 5 6		SIZE: A1		CAGE CODE: 00779	
CUSTOMER DRAWING		DRAWING NO: 5822031		SCALE: 4:1		SHEET 1 OF 1 REV B	