



Chipsmall Limited consists of a professional team with an average of over 10 year of expertise in the distribution of electronic components. Based in Hongkong, we have already established firm and mutual-benefit business relationships with customers from,Europe,America and south Asia,supplying obsolete and hard-to-find components to meet their specific needs.

With the principle of “Quality Parts,Customers Priority,Honest Operation,and Considerate Service”,our business mainly focus on the distribution of electronic components. Line cards we deal with include Microchip,ALPS,ROHM,Xilinx,Pulse,ON,Everlight and Freescale. Main products comprise IC,Modules,Potentiometer,IC Socket,Relay,Connector.Our parts cover such applications as commercial,industrial, and automotives areas.

We are looking forward to setting up business relationship with you and hope to provide you with the best service and solution. Let us make a better world for our industry!



## Contact us

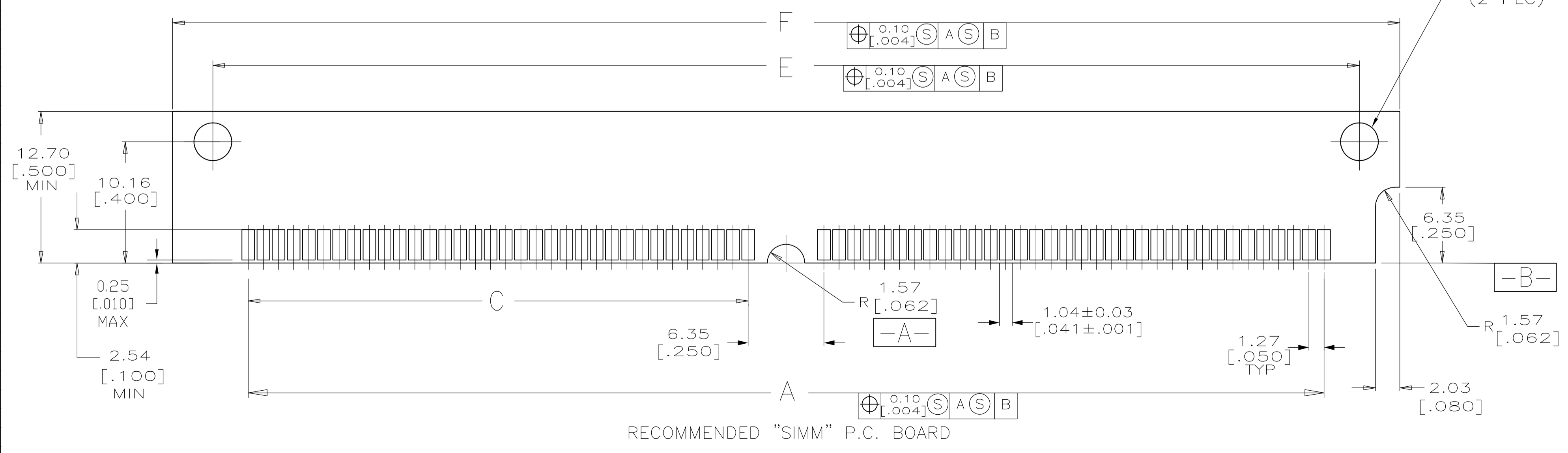
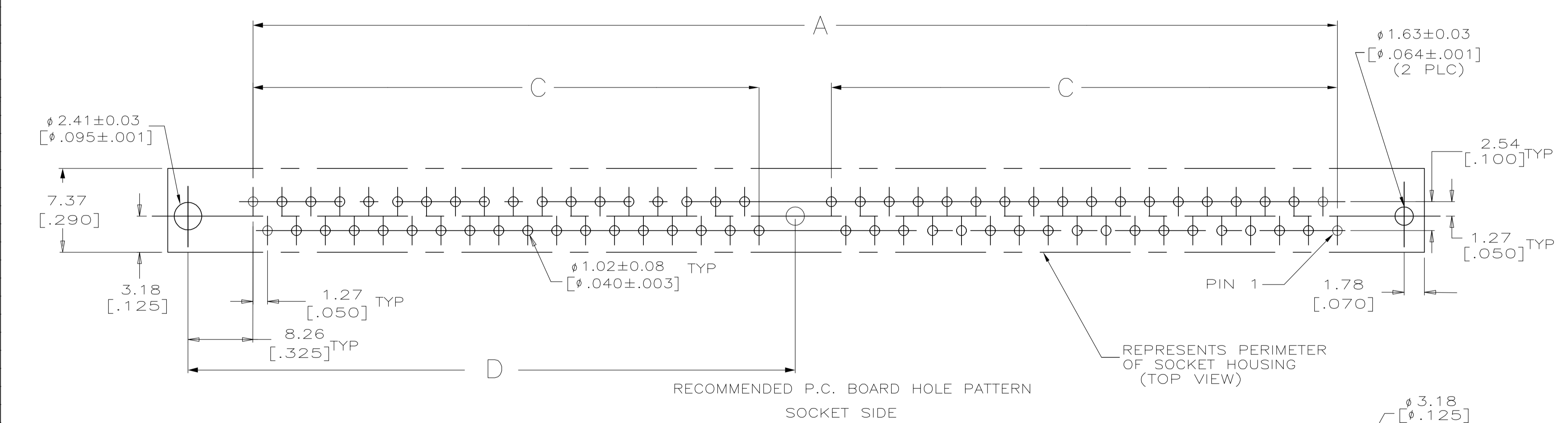
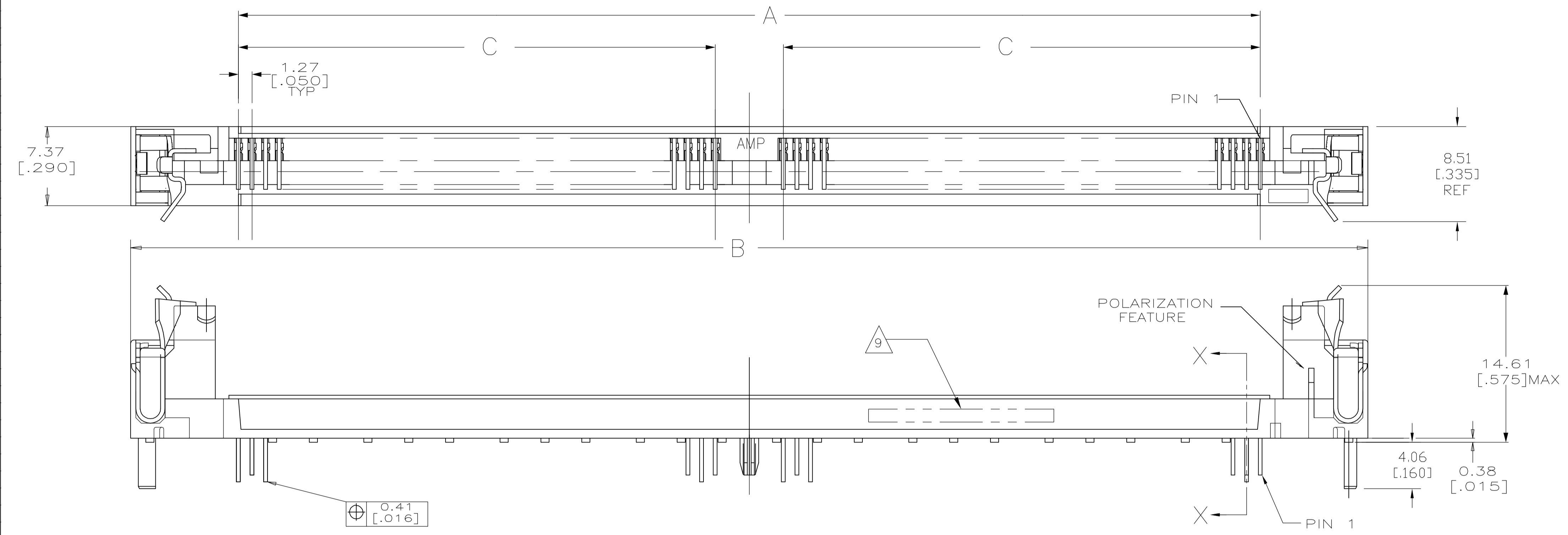
Tel: +86-755-8981 8866 Fax: +86-755-8427 6832

Email & Skype: info@chipsmall.com Web: www.chipsmall.com

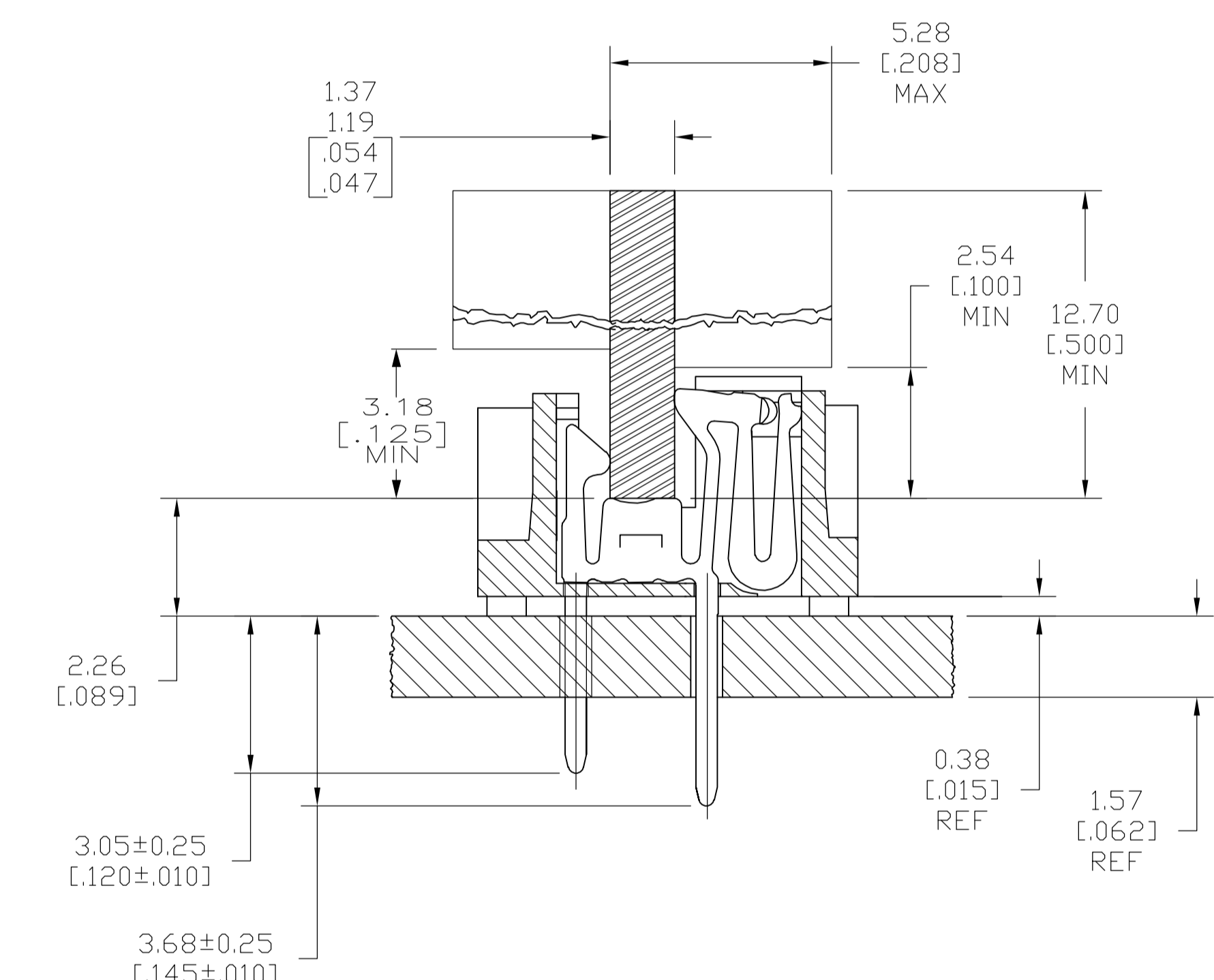
Address: A1208, Overseas Decoration Building, #122 Zhenhua RD., Futian, Shenzhen, China



LOC		DIST		REVISIONS			
GP	00	REV	DATE	BY	APP'D	DATE	BY
B		REVISED PER ECO-06-002423	08JUN06	JDP	MDB		



- △ HOUSING—MATERIAL : LIQUID—CRYSTAL—POLYMER.
- △ CONTACT—MATERIAL : PHOS. BRONZE.
- △ LATCH—MATERIAL : BRASS, NICKEL PLATE.
- △ CONTACT—PLATE 0.00127 [.000050] MIN NICKEL ALL OVER.
- △ CONTACT—PLATE 0.00076 [.000030] MIN. GOLD AT CONTACT PTS.
- △ CONTACT SOLDER TAILS—PLATE 0.00508 [.000200] MIN MATTE TIN.
- 7. IN ADDITION TO THOSE RECOMMENDED "Simm" P.C. BOARD DIMENSIONS AND TOLERANCES SHOWN, ALL JEDEC SPECIFICATIONS APPLY AS SHOWN ON MO-116, ISSUE A.
- 8. RECOMMENDED MATING S.I.M.M. TAB METALLURGY:  
 BASE METAL—COPPER. PLATING TO BE 0.00076 [.000030] MIN GOLD OVER 0.00127 [.000050] MIN NICKEL.
- △ 9. DATE CODE: (YEAR WEEK) XXXX FORMAT, LOCATED APPROXIMATELY AS SHOWN ON OPPOSITE SIDE.



SECTION X-X  
 SCALE 10:1  
 (BOARDS SHOWN FOR REF ONLY)

107.95 [4.250]	101.19 [3.984]	55.88 [2.200]	44.45 [1.750]	115.57 [4.550]	95.25 [3.750]	72	5822032-4
F	E	D	C	B	A	NO. OF POSN	PART NO
THIS DRAWING IS A CONTROLLED DOCUMENT.							
DIMENSIONS: mm [INCHES]		TOLERANCES UNLESS OTHERWISE SPECIFIED:		APPROVED: M.YEOMANS		Tyco Electronics Corporation Harrisburg, PA 17105-3608	
0 PLC	±	1 PLC	±	2 PLC	±	3 PLC	± 0.13 [.005]
4 PLC	±	ANGLES	±	APPLICATION SPEC			
MATERIAL		FINISH		SIZE	CAGE CODE	DRAWING NO	RESTRICTED TO
1 2 3		3 4 5 6		A1	00779	5822032	—
CUSTOMER DRAWING				SCALE	SHEET	REV	
				4:1	1 of 1		