



Chipsmall Limited consists of a professional team with an average of over 10 year of expertise in the distribution of electronic components. Based in Hongkong, we have already established firm and mutual-benefit business relationships with customers from,Europe,America and south Asia,supplying obsolete and hard-to-find components to meet their specific needs.

With the principle of “Quality Parts,Customers Priority,Honest Operation,and Considerate Service”,our business mainly focus on the distribution of electronic components. Line cards we deal with include Microchip,ALPS,ROHM,Xilinx,Pulse,ON,Everlight and Freescale. Main products comprise IC,Modules,Potentiometer,IC Socket,Relay,Connector.Our parts cover such applications as commercial,industrial, and automotives areas.

We are looking forward to setting up business relationship with you and hope to provide you with the best service and solution. Let us make a better world for our industry!



Contact us

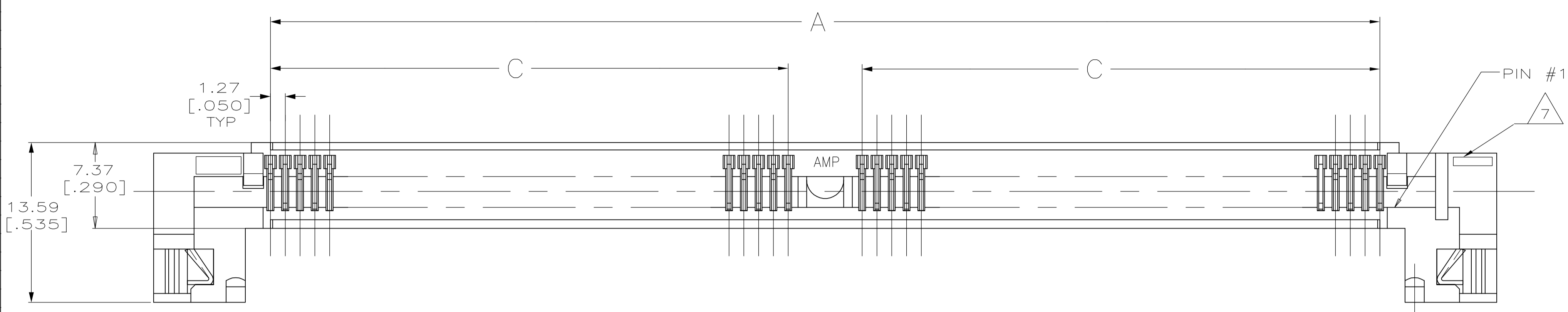
Tel: +86-755-8981 8866 Fax: +86-755-8427 6832

Email & Skype: info@chipsmall.com Web: www.chipsmall.com

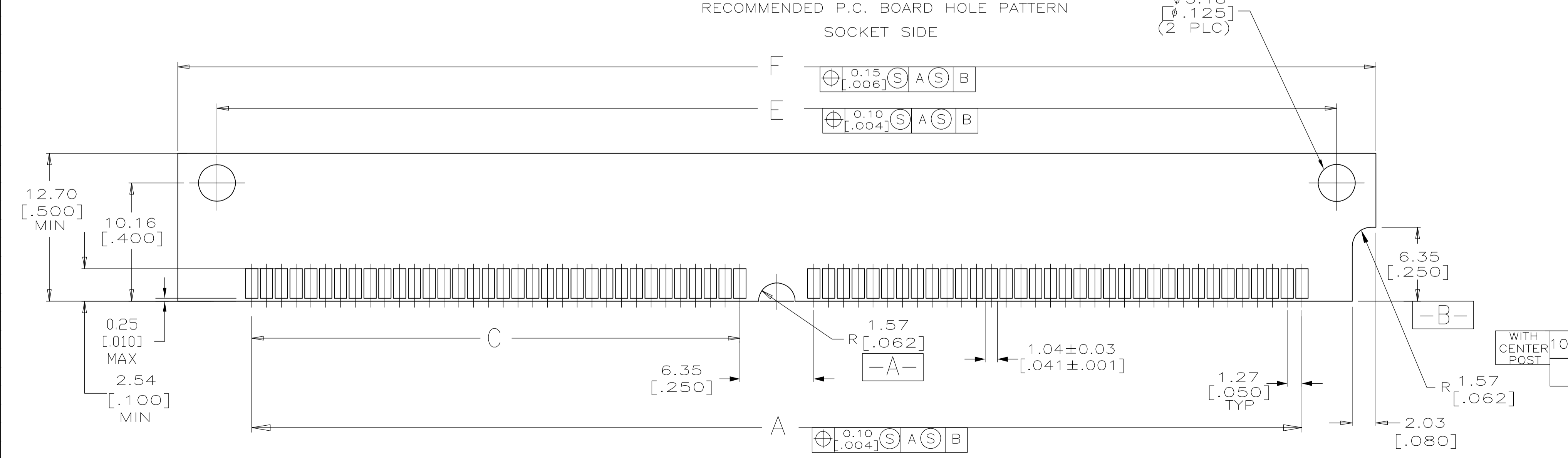
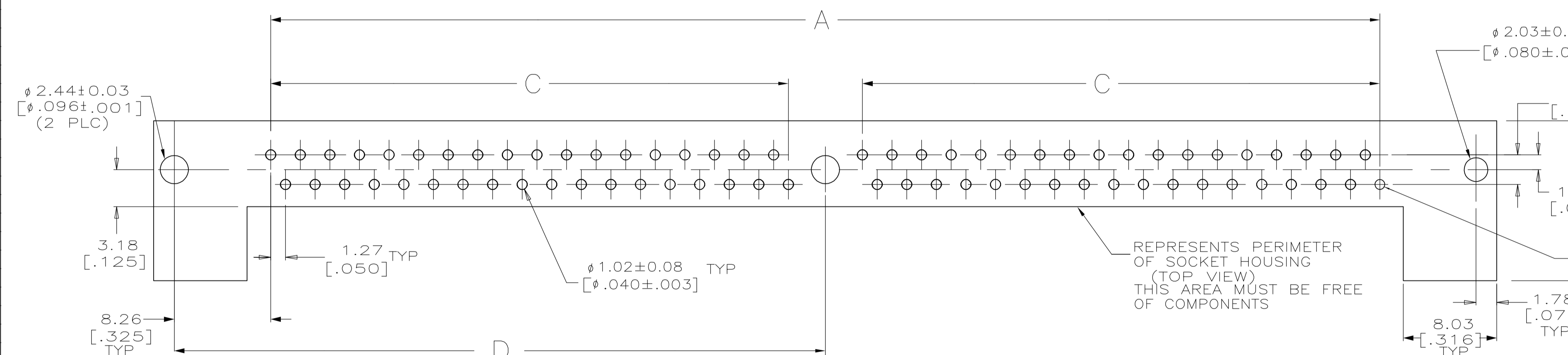
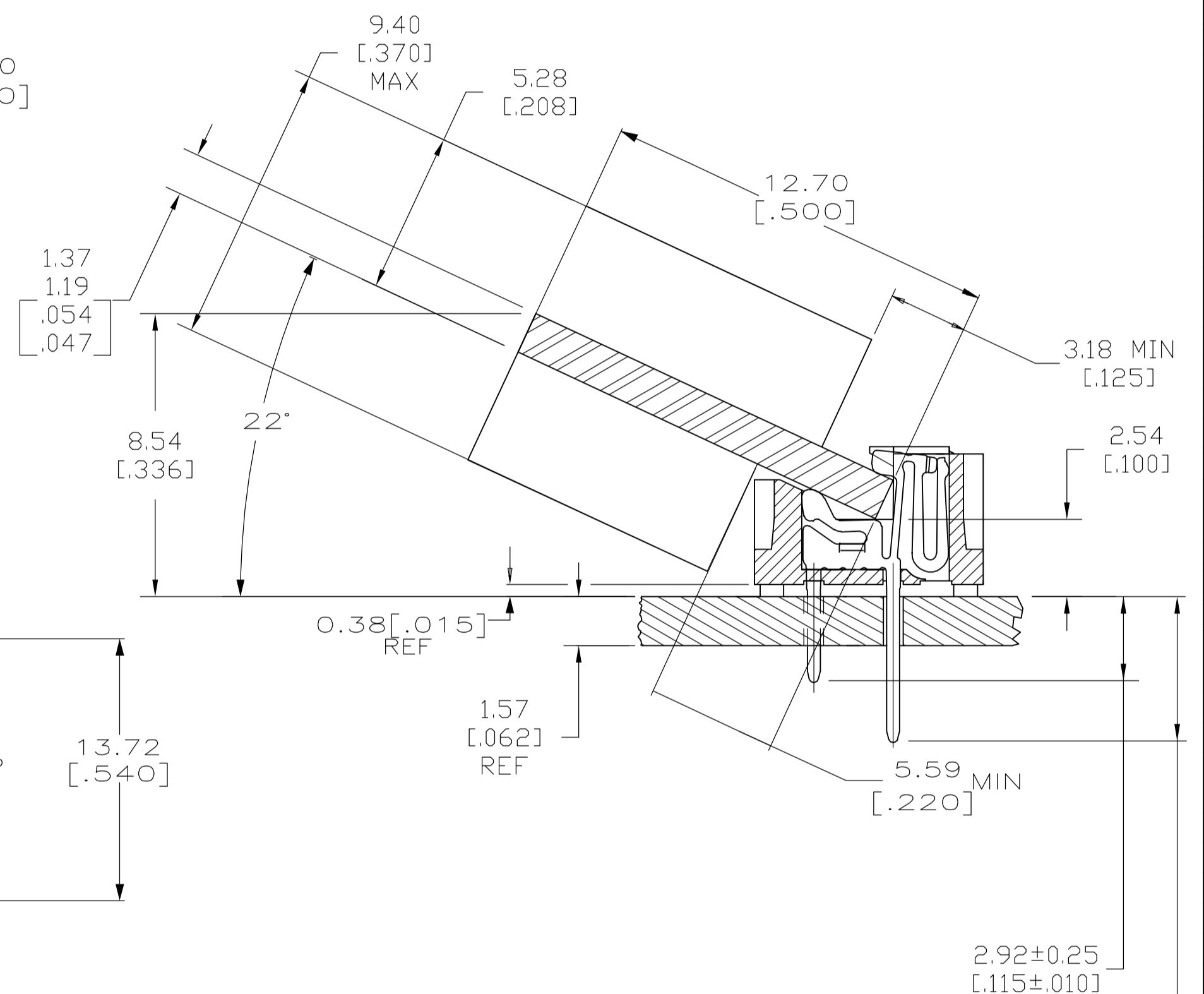
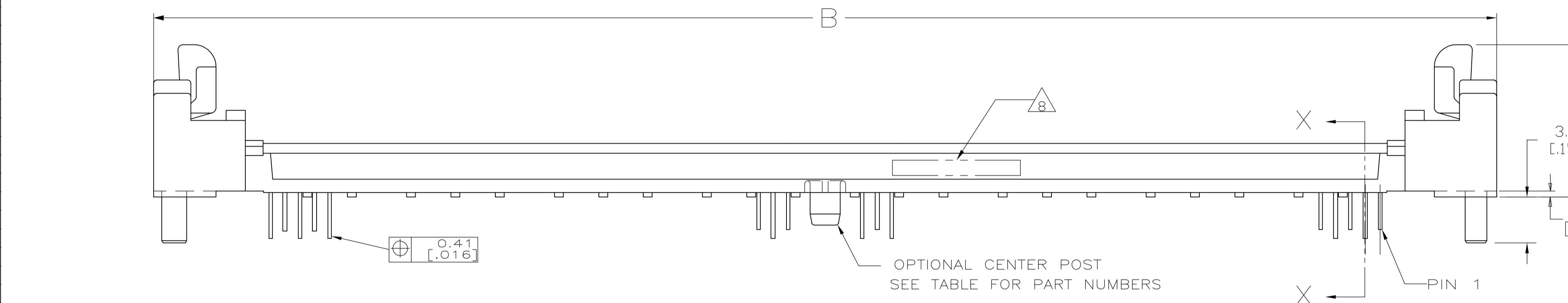
Address: A1208, Overseas Decoration Building, #122 Zhenhua RD., Futian, Shenzhen, China



LOC		DIST		REVISONS			
GP	00	REV	DATE	BY	APP'D		
B		REVISED PER ECO-06-007841	19JUL06	JDP	MB		



- ① HOUSING-MATERIAL : LIQUID-CRYSTAL-POLYMER.
- ② CONTACT-MATERIAL : PHOS. BRONZE.
- ③ LATCH-MATERIAL : STAINLESS STEEL.
- ④ CONTACT-PLATE: 0.00508[.000200] MIN. MATTE TIN OVER 0.00127 [.000050] MIN NICKEL.
- 5. IN ADDITION TO THOSE RECOMMENDED "SIMM" P.C. BOARD DIMENSIONS AND TOLERANCES SHOWN, ALL JEDEC SPECIFICATIONS APPLY AS SHOWN ON MO-116, ISSUE A.
- 6. RECOMMENDED MATING S.I.M.M. TAB METALLURGY:
 BASE METAL-COPPER. PLATING TO BE 0.00762[.000300] MIN TIN/LEAD OVER 0.00127[.000050] MIN NICKEL.
- ⑦ 'S' IDENTIFIER LOCATED APPROXIMATELY AS SHOWN.
- ⑧ DATE CODE INFORMATION (YEAR WEEK), LOCATED APPROXIMATELY AS SHOWN ON OPPOSITE SIDE ONLY.



SECTION X-X
 SCALE 5:1
 (BOARDS SHOWN FOR REF ONLY)

WITH CENTER POST	F	E	D	C	B	A	NO. OF POSN	PART NO
	107.95[4.250]	101.19[3.984]	55.88[2.200]	44.45[1.750]	115.32[4.540]	95.25[3.750]	72	5822110-3

THIS DRAWING IS A CONTROLLED DOCUMENT.		DIN 9137 MCMMASTER 06JAN04	 Tyco Electronics Corporation Harrisburg, PA 17105-3608
DIMENSIONS: mm [INCHES]		06JAN04	
TOLERANCES UNLESS OTHERWISE SPECIFIED:		06JAN04	
0 PLC	± -		
1 PLC	± -		
2 PLC	± -		
3 PLC	± 0.13[.005]		
4 PLC	± -		
ANGLES	± -		
MATERIAL		APPROD M.YEOMANS 06JAN04	
FINISH		NAME	
		APPLICATION SPEC	
		SIZE	
		WEIGHT	
		CAGE CODE	
		DRAWING NO	
		RESTRICTED TO	
		A1 00779	
		SCALE	
		4:1	
		SHEET	
		1 OF 1	
		REV	
		B	