



Chipsmall Limited consists of a professional team with an average of over 10 year of expertise in the distribution of electronic components. Based in Hongkong, we have already established firm and mutual-benefit business relationships with customers from,Europe,America and south Asia,supplying obsolete and hard-to-find components to meet their specific needs.

With the principle of “Quality Parts,Customers Priority,Honest Operation,and Considerate Service”,our business mainly focus on the distribution of electronic components. Line cards we deal with include Microchip,ALPS,ROHM,Xilinx,Pulse,ON,Everlight and Freescale. Main products comprise IC,Modules,Potentiometer,IC Socket,Relay,Connector.Our parts cover such applications as commercial,industrial, and automotives areas.

We are looking forward to setting up business relationship with you and hope to provide you with the best service and solution. Let us make a better world for our industry!



Contact us

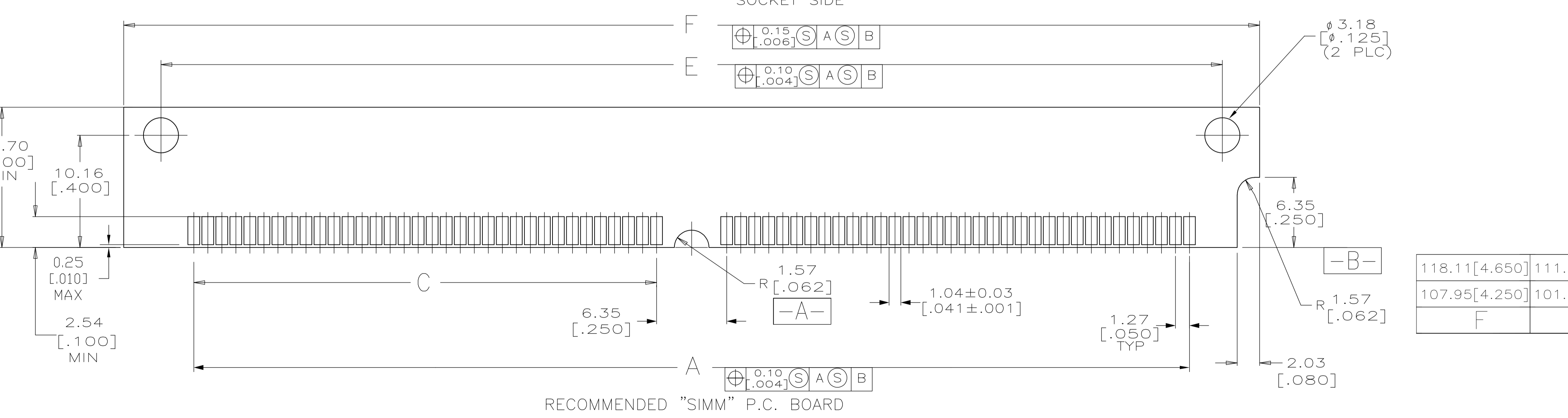
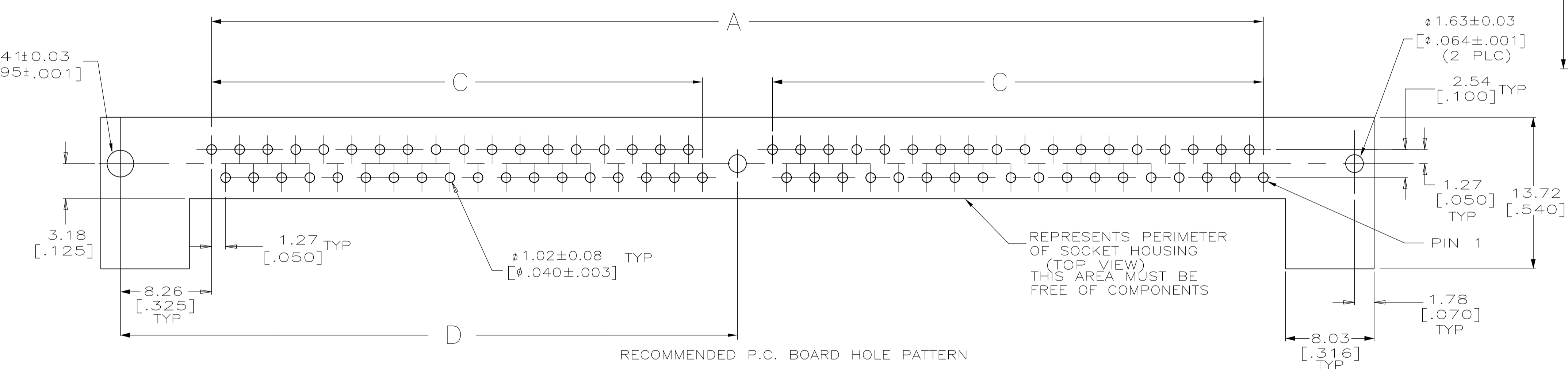
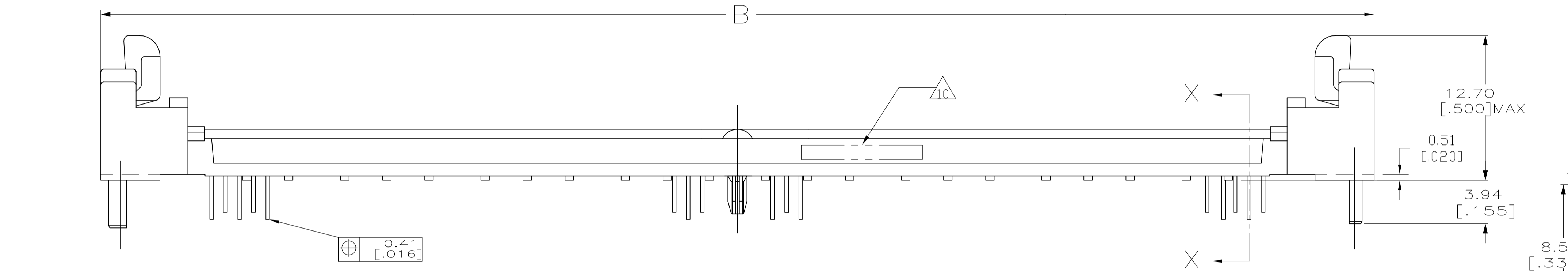
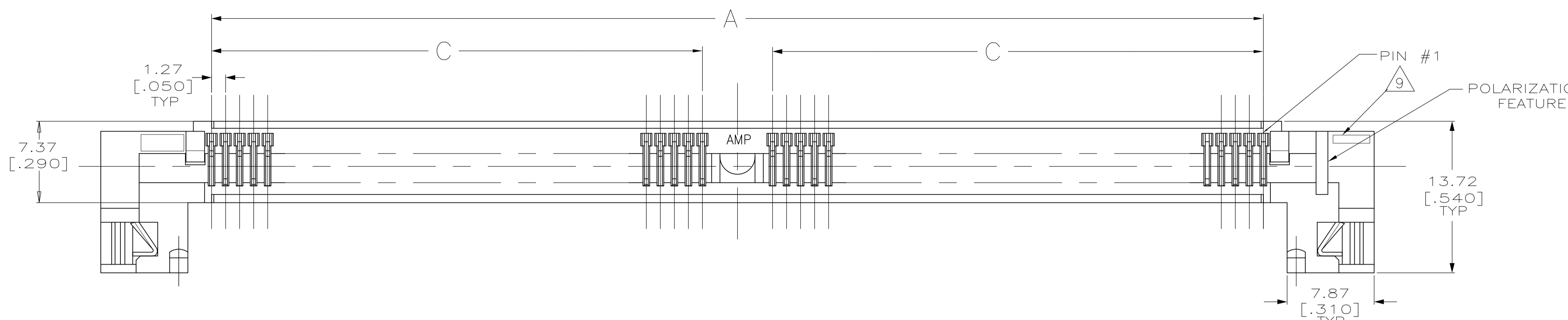
Tel: +86-755-8981 8866 Fax: +86-755-8427 6832

Email & Skype: info@chipsmall.com Web: www.chipsmall.com

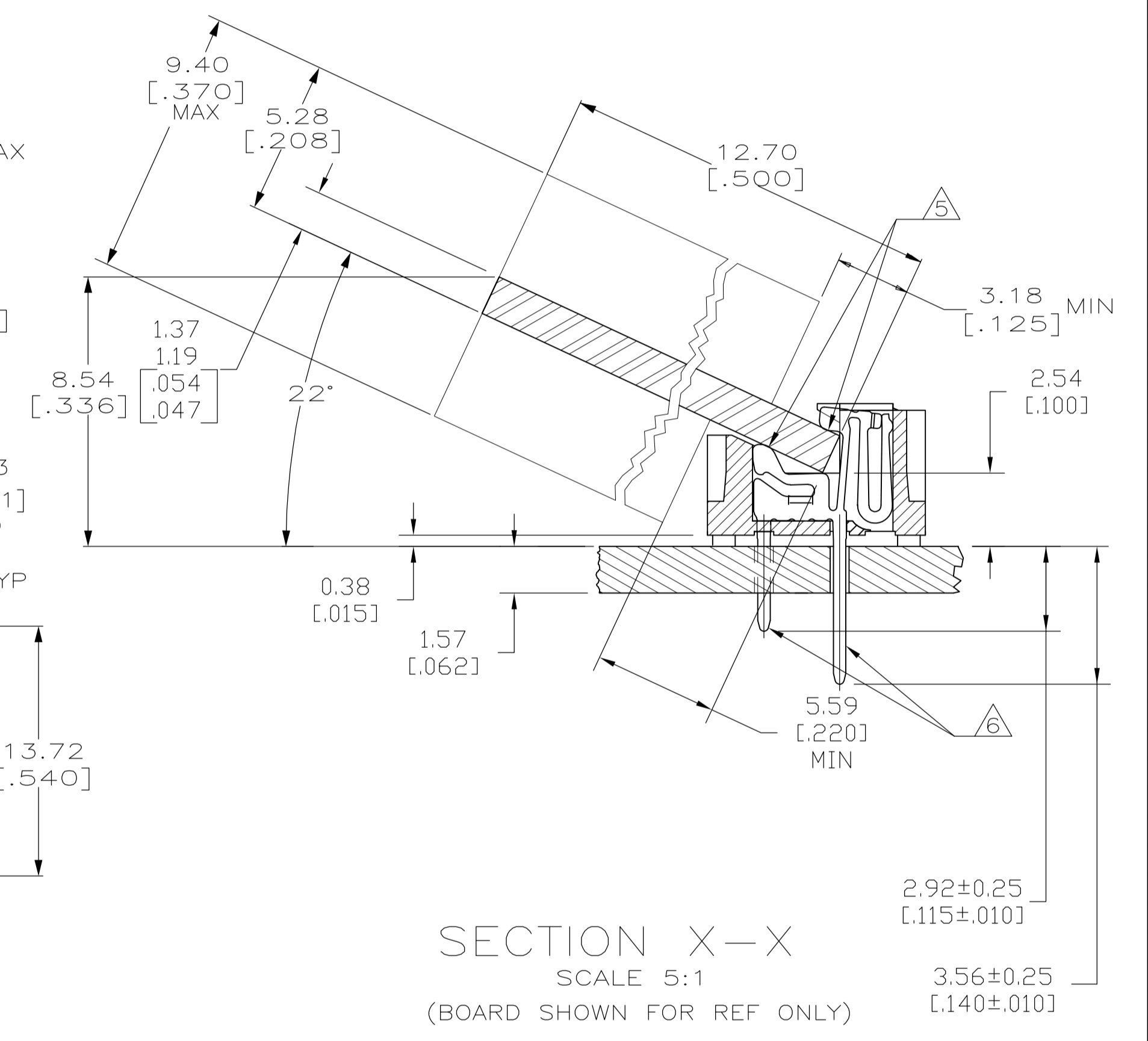
Address: A1208, Overseas Decoration Building, #122 Zhenhua RD., Futian, Shenzhen, China



LOC		DIST		REVISONS			
GP	00	PL	TR	DESCRIPTION	DATE	DMN	APVD
B1	REVISED PER ECO-11-005033				29MAR11	RK	HMR



- 1 HOUSING-MATERIAL : LIQUID-CRYSTAL-POLYMER.
- 2 CONTACT-MATERIAL : PHOS. BRONZE.
- 3 LATCH-MATERIAL : STAINLESS STEEL.
- 4 CONTACT-PLATE 0.00127 [.000050] MIN NICKEL ALL OVER.
- 5 CONTACT-PLATE 0.00076[.000030] MIN. GOLD AT CONTACT PTS.
- 6 CONTACT SOLDERTAILS-PLATE 0.00508[.000200] MIN MATTE TIN.
- 7. IN ADDITION TO THOSE RECOMMENDED "SIMM" P.C. BOARD DIMENSIONS AND TOLERANCES SHOWN, ALL JEDEC SPECIFICATIONS APPLY AS SHOWN ON MO-116, ISSUE A.
- 8. RECOMMENDED MATING S.I.M.M. TAB METALLURGY:
BASE METAL-COPPER. PLATING TO BE 0.00076[.000030] MIN GOLD OVER 0.00127[.000050] MIN NICKEL.
- 9 'S' IDENTIFIER LOCATED APPROXIMATELY AS SHOWN.
- 10 DATE CODE INFORMATION (YEAR WEEK), LOCATED APROXIMATELY AS SHOWN ON OPPOSITE SIDE ONLY.



118.11[4.650]	111.35[4.384]	60.96[2.400]	49.53[1.950]	125.48[4.940]	105.41[4.150]	80	5822137-4
107.95[4.250]	101.19[3.984]	55.88[2.200]	44.45[1.750]	115.32[4.540]	95.25[3.750]	72	5822137-3
F	E	D	C	B	A	NO. OF POSN	PART NO

THIS DRAWING IS A CONTROLLED DOCUMENT.		DIN B1 MCMMASTER 07JAN05	STE TE Connectivity
DIMENSIONS: mm [INCHES]		CHK M.YEOMANS 07JAN05	
TOLERANCES UNLESS OTHERWISE SPECIFIED:		APVD M.YEOMANS 07JAN05	NAME
0 PLC ± -	1 PLC ± -	2 PLC ± -	PRODUCT SPEC
3 PLC ± 0.13[.005]	4 PLC ± -	ANGLES ± -	APPLICATION SPEC
MATERIAL	FINISH	WEIGHT	SIZE CASE CODE DRAWING NO
1 2 3	4 5 6	A1 00779	5822137
CUSTOMER DRAWING		SCALE 4:1	SHEET 1 OF 1 REV B1