



Chipsmall Limited consists of a professional team with an average of over 10 year of expertise in the distribution of electronic components. Based in Hongkong, we have already established firm and mutual-benefit business relationships with customers from,Europe,America and south Asia,supplying obsolete and hard-to-find components to meet their specific needs.

With the principle of “Quality Parts,Customers Priority,Honest Operation,and Considerate Service”,our business mainly focus on the distribution of electronic components. Line cards we deal with include Microchip,ALPS,ROHM,Xilinx,Pulse,ON,Everlight and Freescale. Main products comprise IC,Modules,Potentiometer,IC Socket,Relay,Connector.Our parts cover such applications as commercial,industrial, and automotives areas.

We are looking forward to setting up business relationship with you and hope to provide you with the best service and solution. Let us make a better world for our industry!



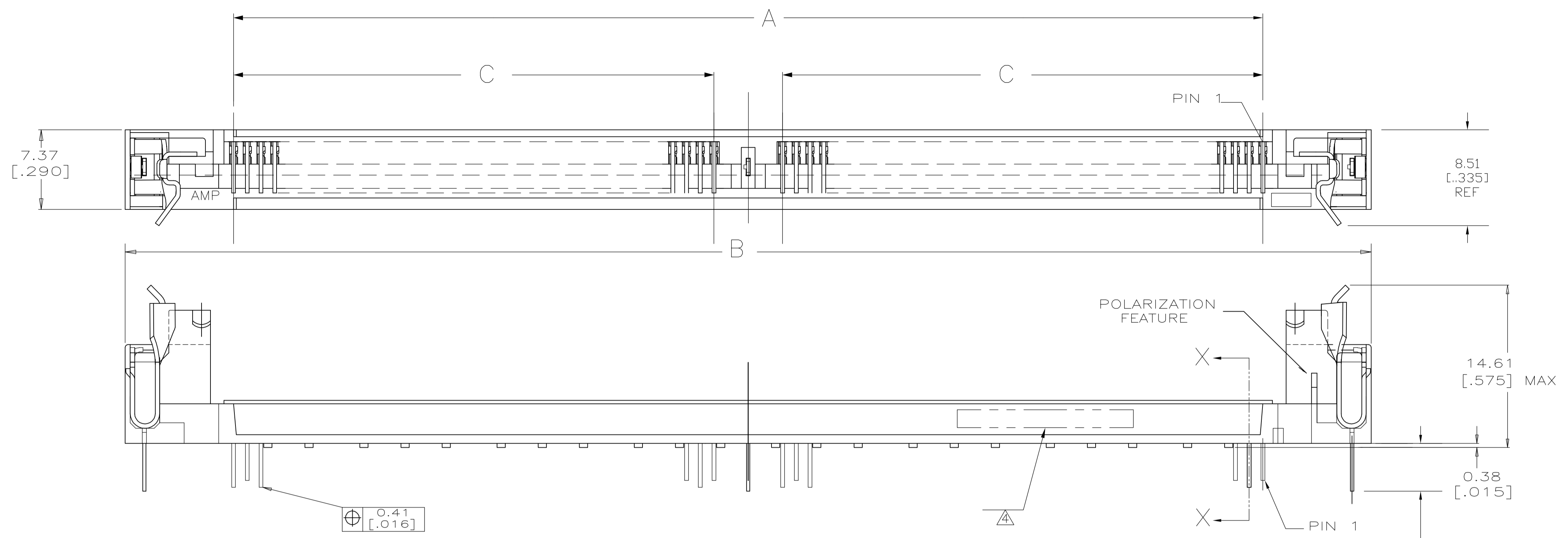
## Contact us

Tel: +86-755-8981 8866 Fax: +86-755-8427 6832

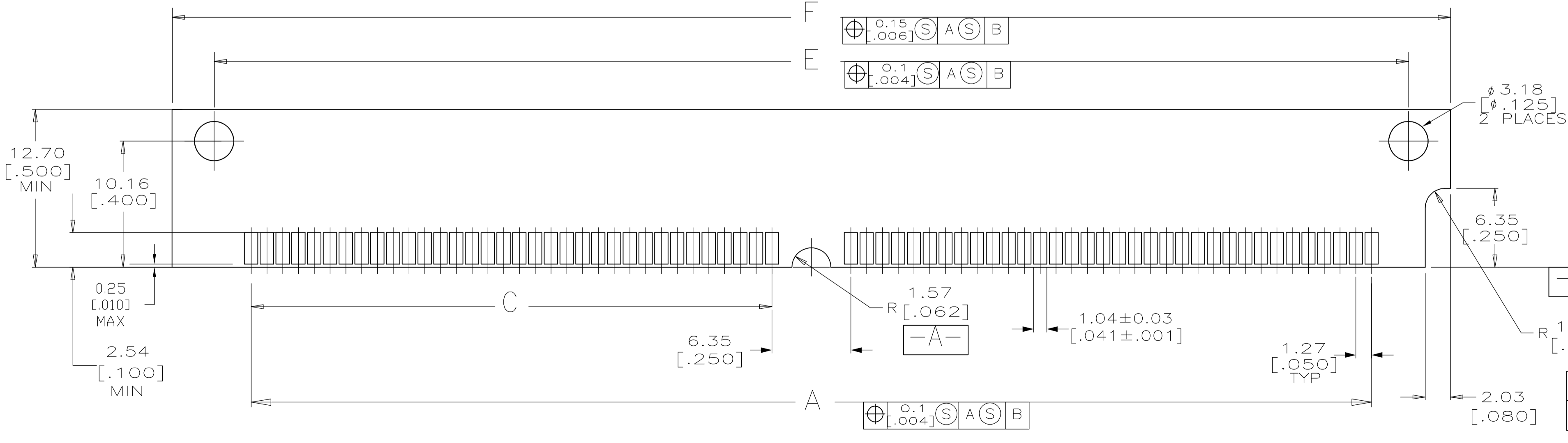
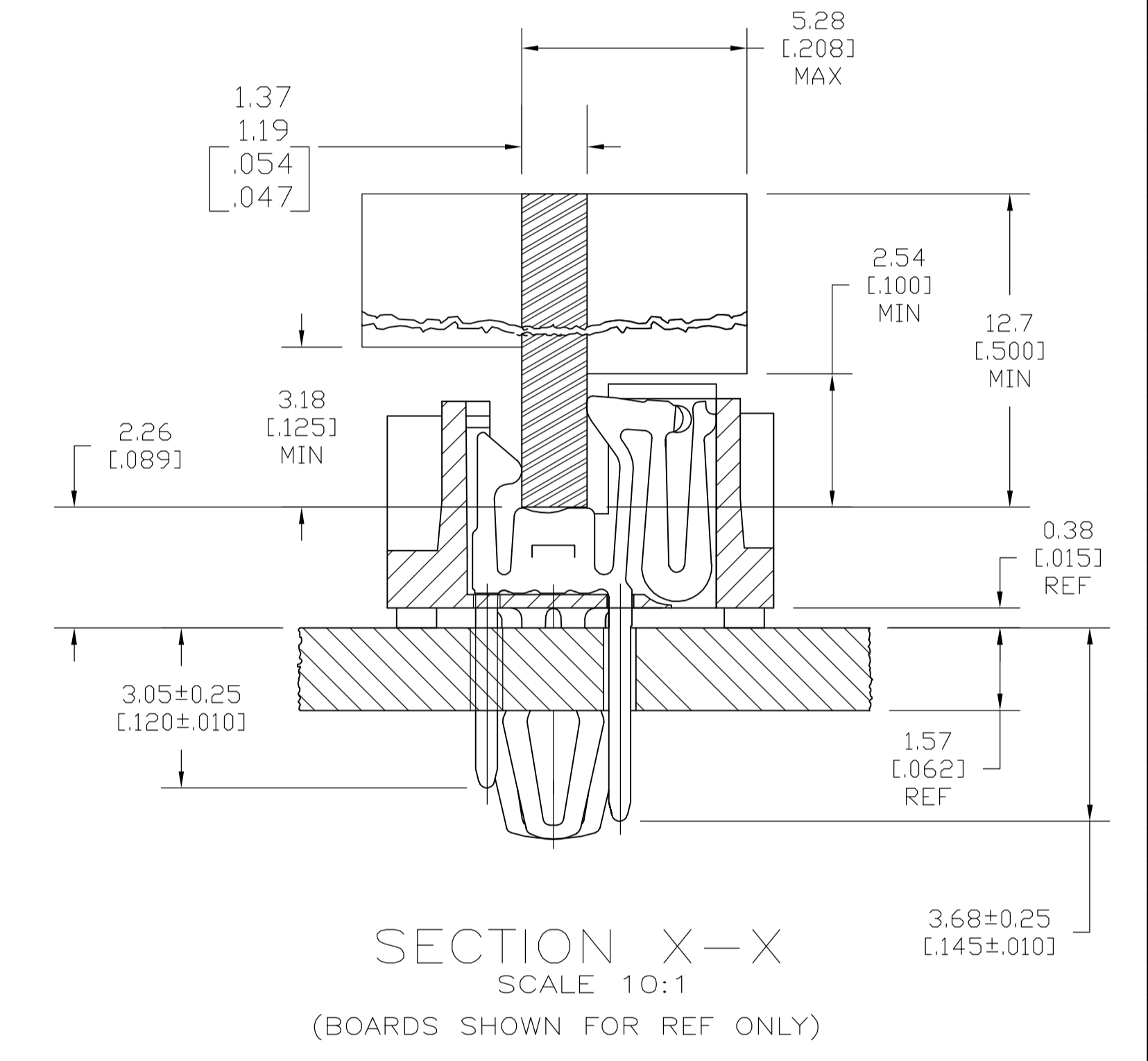
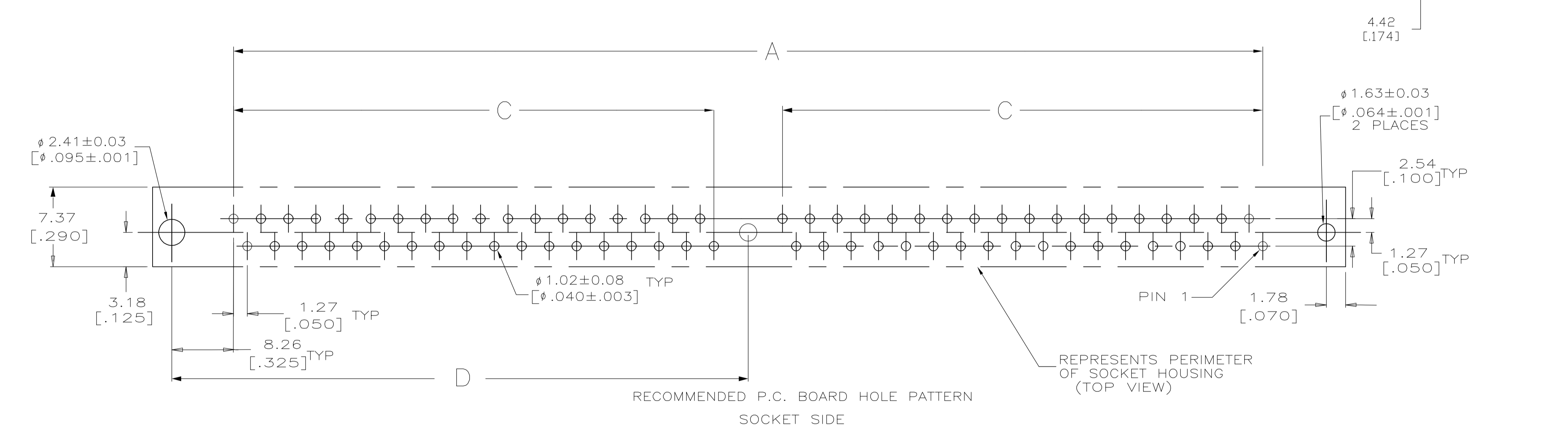
Email & Skype: info@chipsmall.com Web: www.chipsmall.com

Address: A1208, Overseas Decoration Building, #122 Zhenhua RD., Futian, Shenzhen, China





- MATERIAL:**  
 HOUSING: LIQUID-CRYSTAL-POLYMER, NATURAL  
 CONTACT: PHOS. BRONZE PLATED WITH 0.00127 [.000050] MIN NICKEL ALL OVER WITH 0.00076 [.000030] MIN GOLD AT CONTACT POINTS AND 0.00508 [.000200] MIN MATTE TIN ON SOLDER TAILS.  
 LATCH: BRASS, NICKEL PLATE.  
 RETENTION POSTS: PRE-TIN PLATED COPPER ALLOY.
2. IN ADDITION TO THOSE RECOMMENDED "SIMM" P.C. BOARD DIMENSIONS AND TOLERANCES SHOWN, ALL JEDEC SPECIFICATIONS APPLY AS SHOWN ON MO-116, ISSUE A.
3. RECOMMENDED MATING S.I.M.M. TAB METALLURGY:  
 BASE METAL-COPPER. PLATING TO BE 0.00076 [.000030] MIN GOLD OVER 0.00127 [.000050] MIN NICKEL.
- DATE CODE INFO, (YEAR, WEEK)**  
 LOCATED APPROXIMATE AS SHOWN OPPOSITE SIDE.



118.11[4.650]	111.35[4.384]	60.96[2.400]	49.53[1.950]	125.73[4.950]	105.41[4.150]	80	822417-1
F	E	D	C	B	A	NO OF POSN	PART NO

RECOMMENDED "SIMM" P.C. BOARD

THIS DRAWING IS A CONTROLLED DOCUMENT.

DIMENSIONS: mm [INCHES]	TOLERANCES UNLESS OTHERWISE SPECIFIED:	DW S. WAITMAN 01FEB06		Tyco Electronics Corporation Harrisburg, PA 17105-3608				
0 PLC ± -	1 PLC ± -	2 PLC ± -		3 PLC ± 0.13[.005]	4 PLC ± -	ANGLES ± -	FINISH ± -	APVD M. YOEMENS 01FEB06
MATERIAL		WEIGHT	SIZE	CAGE CODE	DRAWING NO	RESTRICTED TO	CONNECTOR, MICRO-EDGE, 1.27 [.050], VERT, GOLD, W/METAL LATCH & RETENTION POSTS	
CUSTOMER DRAWING		SCALE	4:1	SHEET	1 OF 1	REV	A1 00779 C=5822417	