



Chipsmall Limited consists of a professional team with an average of over 10 year of expertise in the distribution of electronic components. Based in Hongkong, we have already established firm and mutual-benefit business relationships with customers from,Europe,America and south Asia,supplying obsolete and hard-to-find components to meet their specific needs.

With the principle of “Quality Parts,Customers Priority,Honest Operation,and Considerate Service”,our business mainly focus on the distribution of electronic components. Line cards we deal with include Microchip,ALPS,ROHM,Xilinx,Pulse,ON,Everlight and Freescale. Main products comprise IC,Modules,Potentiometer,IC Socket,Relay,Connector.Our parts cover such applications as commercial,industrial, and automotives areas.

We are looking forward to setting up business relationship with you and hope to provide you with the best service and solution. Let us make a better world for our industry!



## Contact us

Tel: +86-755-8981 8866 Fax: +86-755-8427 6832

Email & Skype: info@chipsmall.com Web: www.chipsmall.com

Address: A1208, Overseas Decoration Building, #122 Zhenhua RD., Futian, Shenzhen, China

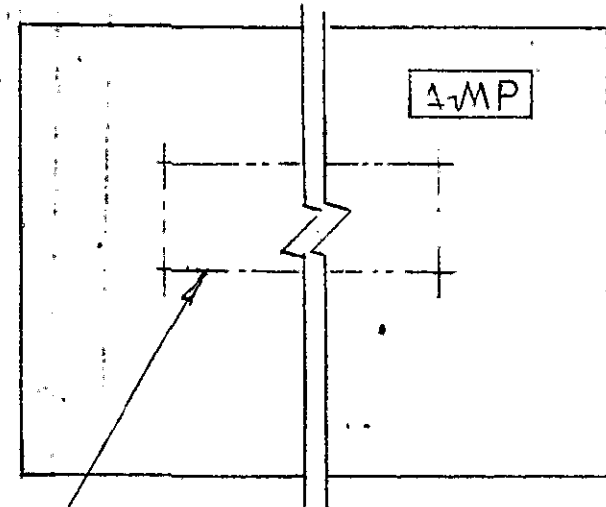
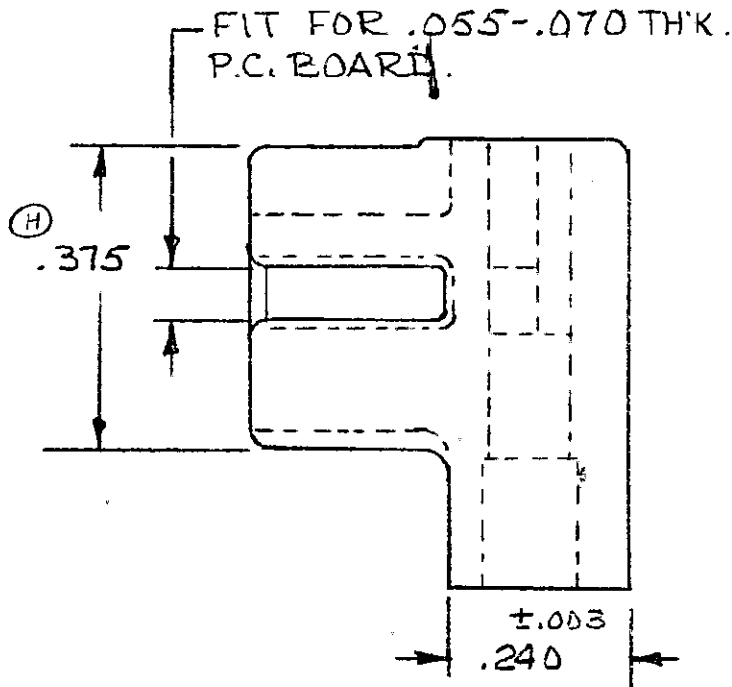
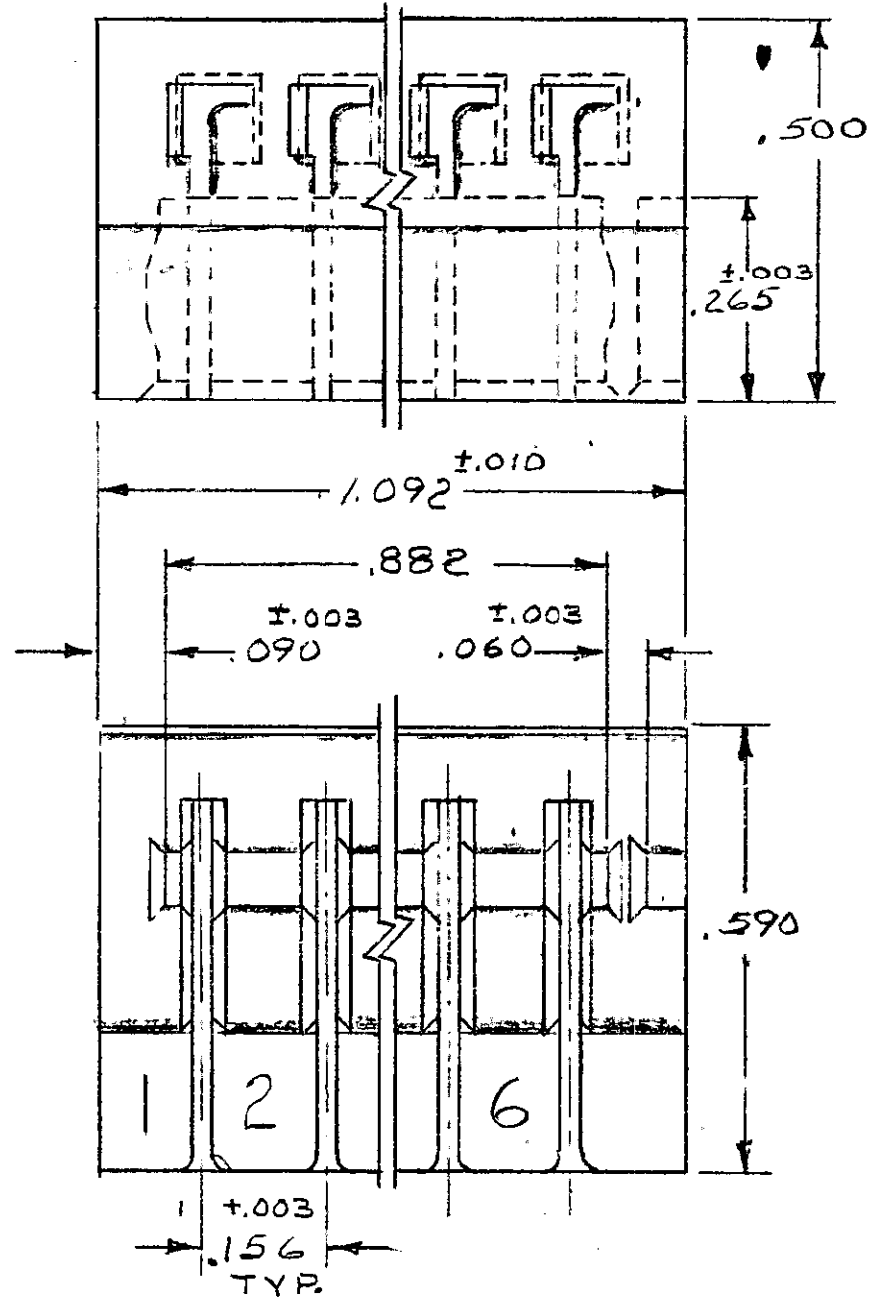


© 1962 BY AMP INCORPORATED. ALL RIGHTS RESERVED. AMP PRODUCTS COVERED BY PATENTS AND OR PATENTS PENDING.

REVISIONS				
ZONE	LTR	DESCRIPTION	DATE	APPROVED
	G1	REDRAWN WITHOUT CHANGE 3388 DR	2-9-72	D.H.
	H	REVISED 3535	6-8-72	M.S. D.H.
	H1	OBS -6 AD 1097 AD	2-7-80	RL
	J	REV 1 AD 1746	6-81	HWR
	K	REV 1 AD 1840, OBS-2, -3 & -4	3-88	HWR
	L	REV PER AD 3589	9/88	RL
	M	REV PER 0010-1143-95	11-95	P.B.
	N	REV PER EC 0G3C-233-01	03OCT01	MM

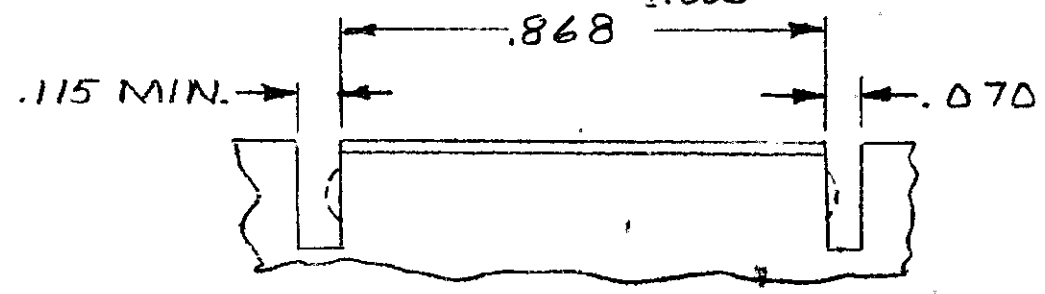
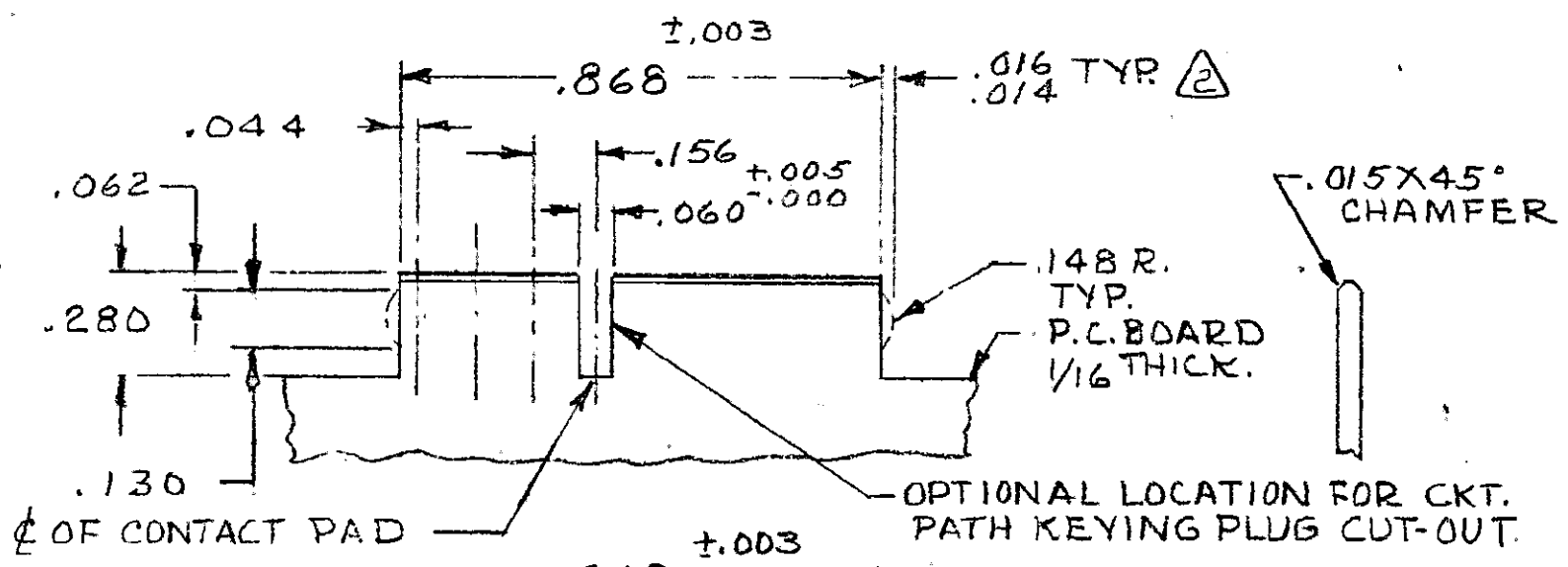
PART NO.	COLOR
582371-1	BROWN
582371-2	RED
582371-3	ORANGE
582371-4	YELLOW
582371-5	GREEN
582371-6	BLUE
582371-7	VIOLET
582371-8	GRAY
582371-9	NATURAL
1-582371-0	BLACK

OBSOLETE



PART NO. & DATE CODE MARKED OR MOLDED IN THIS AREA. DATE CODE (OPTIONAL)

1. REFER TO 60215 & 583284 FOR TERMINAL  
△ THE RETAINING DIMPLES ARE OPTIONAL IN BOTH CUT-OUTS.



OPTIONAL CUT-OUTS

UNLESS OTHERWISE SPECIFIED, DIMENSIONS ARE IN INCHES TOLERANCES ON : DECIMALS ±.005 ANGLES ±	CONTRACT NO.	AMP INCORPORATED HARRISBURG, PENNSYLVANIA	
	DR	AMP	
	CHK	NAME	
	APPD	HOUSING, DUO-TYNE FLAG, 6 POSITION.	
MATERIAL	REL	SIZE	CODE IDENT NO. NUMBER
NYLON	DSGN APPD	C	00779 582371
	OTHER APPD	SCALE 4-1	SHEET 1 OF 1

CUSTOMER DRAWING

NUMBER 582371