



Chipsmall Limited consists of a professional team with an average of over 10 year of expertise in the distribution of electronic components. Based in Hongkong, we have already established firm and mutual-benefit business relationships with customers from,Europe,America and south Asia,supplying obsolete and hard-to-find components to meet their specific needs.

With the principle of “Quality Parts,Customers Priority,Honest Operation,and Considerate Service”,our business mainly focus on the distribution of electronic components. Line cards we deal with include Microchip,ALPS,ROHM,Xilinx,Pulse,ON,Everlight and Freescale. Main products comprise IC,Modules,Potentiometer,IC Socket,Relay,Connector.Our parts cover such applications as commercial,industrial, and automotives areas.

We are looking forward to setting up business relationship with you and hope to provide you with the best service and solution. Let us make a better world for our industry!



Contact us

Tel: +86-755-8981 8866 Fax: +86-755-8427 6832

Email & Skype: info@chipsmall.com Web: www.chipsmall.com

Address: A1208, Overseas Decoration Building, #122 Zhenhua RD., Futian, Shenzhen, China

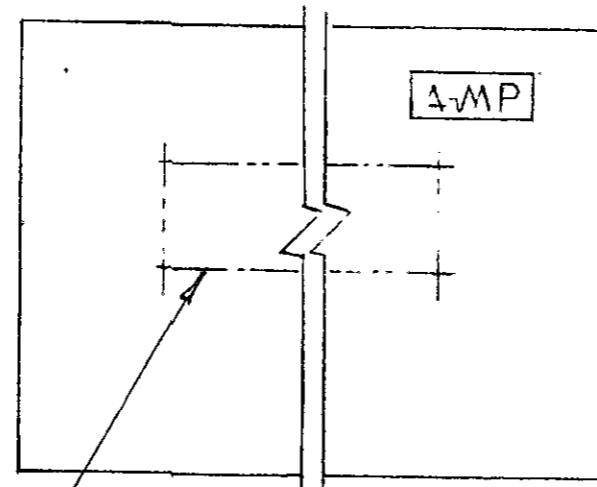
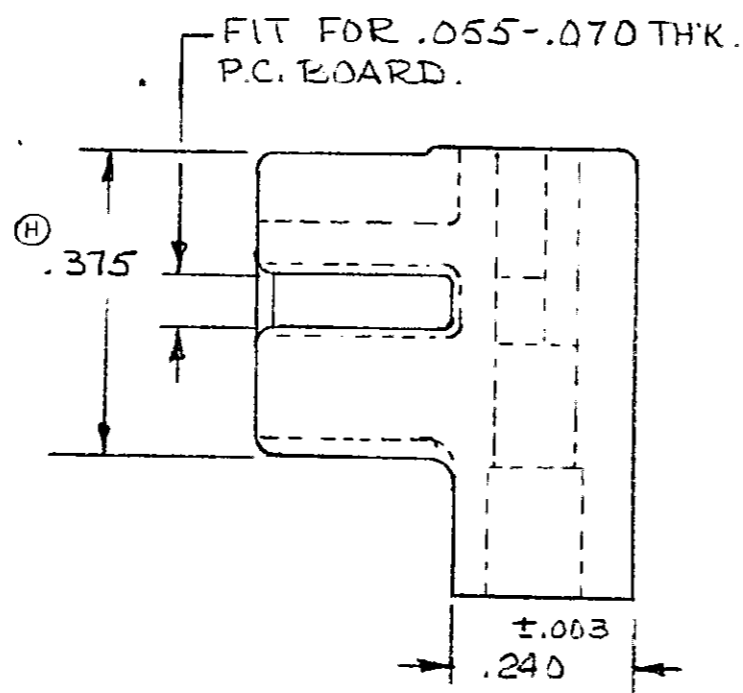
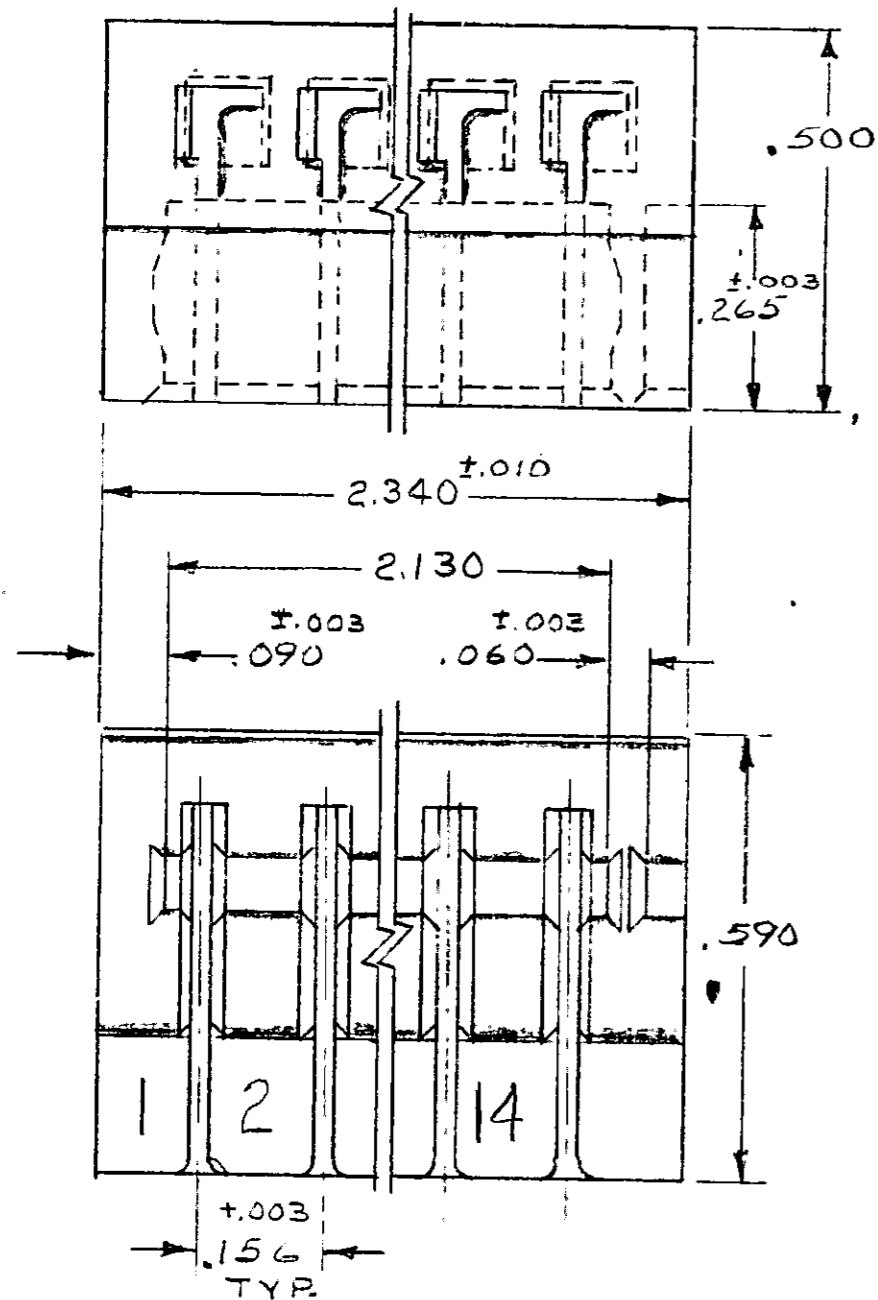


© 1962 BY AMP INCORPORATED. ALL RIGHTS RESERVED. AMP PRODUCTS COVERED BY PATENTS AND OR PATENTS PENDING.

REVISIONS				
ZONE	LTR	DESCRIPTION	DATE	APPROVED
	L2	REVISED PER ECO-13-014539	13SEP13	MM

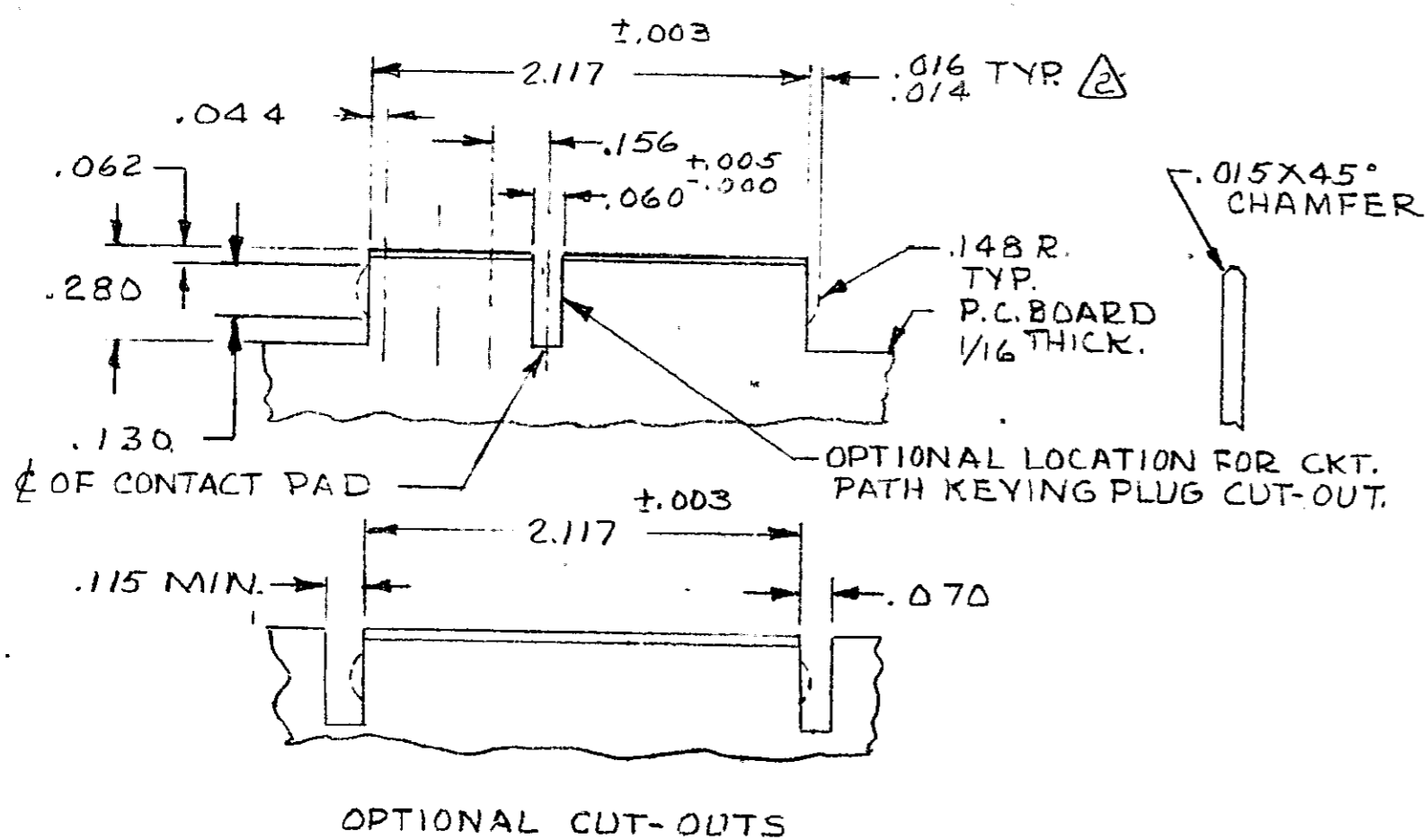
PART NO	COLOR
582372-1	BROWN
582372-2	RED
582372-3	ORANGE
582372-4	YELLOW
582372-5	GREEN
582372-6	BLUE
582372-7	VIOLET
582372-8	GRAY
582372-9	NATURAL
582372-0	BLACK

OBSOLETE



PART NO. & DATE CODE MARKED OR MOLDED IN THIS AREA, DATE CODE (OPTIONAL)

1. REFER TO 60215 & 583284 FOR TERMINAL
2. THE RETAINING DIMPLES ARE OPTIONAL IN BOTH CUT-OUTS.



NUMBER 582372

UNLESS OTHERWISE SPECIFIED, DIMENSIONS ARE IN INCHES TOLERANCES ON: DECIMALS ±.005 ANGLES ±	CONTRACT NO.	STE TE Connectivity		
	MATERIAL NYLON	DR <i>W. P. ...</i> 2-9-72 CHK <i>J. S. Heide</i> 2-21-72 APPD <i>Dr. Bushey</i> 2-22-72 REL <i>R. Skuman</i> 2-22-72	NAME HOUSING, DUO-TYNE FLAG, 14 POSITION.	
	DSGN APPD	SIZE C	CODE IDENT NO. 00779	NUMBER 582372
	OTHER APPD	SCALE 1-1		REV L2
		SHEET 1 OF 1		