



Chipsmall Limited consists of a professional team with an average of over 10 year of expertise in the distribution of electronic components. Based in Hongkong, we have already established firm and mutual-benefit business relationships with customers from,Europe,America and south Asia,supplying obsolete and hard-to-find components to meet their specific needs.

With the principle of “Quality Parts,Customers Priority,Honest Operation,and Considerate Service”,our business mainly focus on the distribution of electronic components. Line cards we deal with include Microchip,ALPS,ROHM,Xilinx,Pulse,ON,Everlight and Freescale. Main products comprise IC,Modules,Potentiometer,IC Socket,Relay,Connector.Our parts cover such applications as commercial,industrial, and automotives areas.

We are looking forward to setting up business relationship with you and hope to provide you with the best service and solution. Let us make a better world for our industry!



Contact us

Tel: +86-755-8981 8866 Fax: +86-755-8427 6832

Email & Skype: info@chipsmall.com Web: www.chipsmall.com

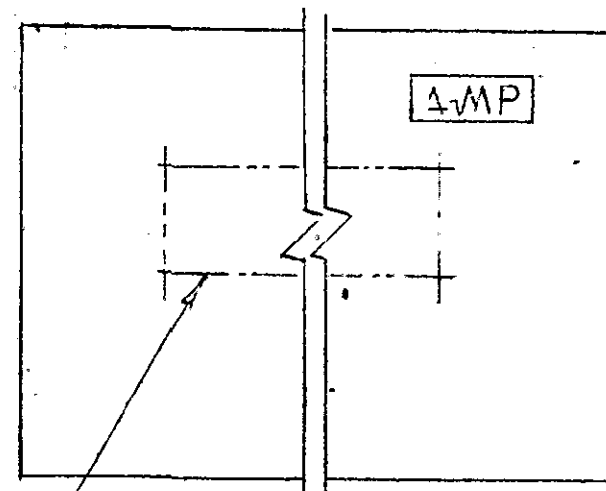
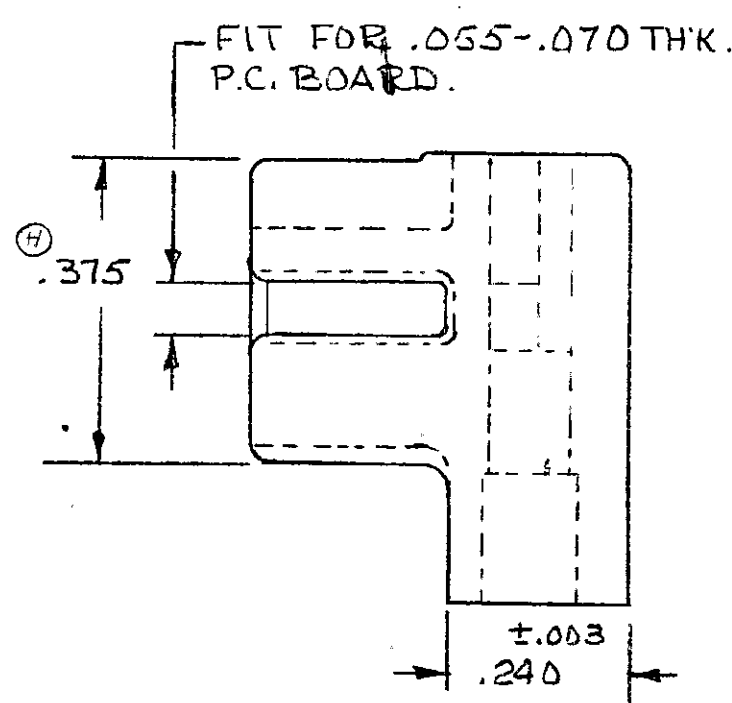
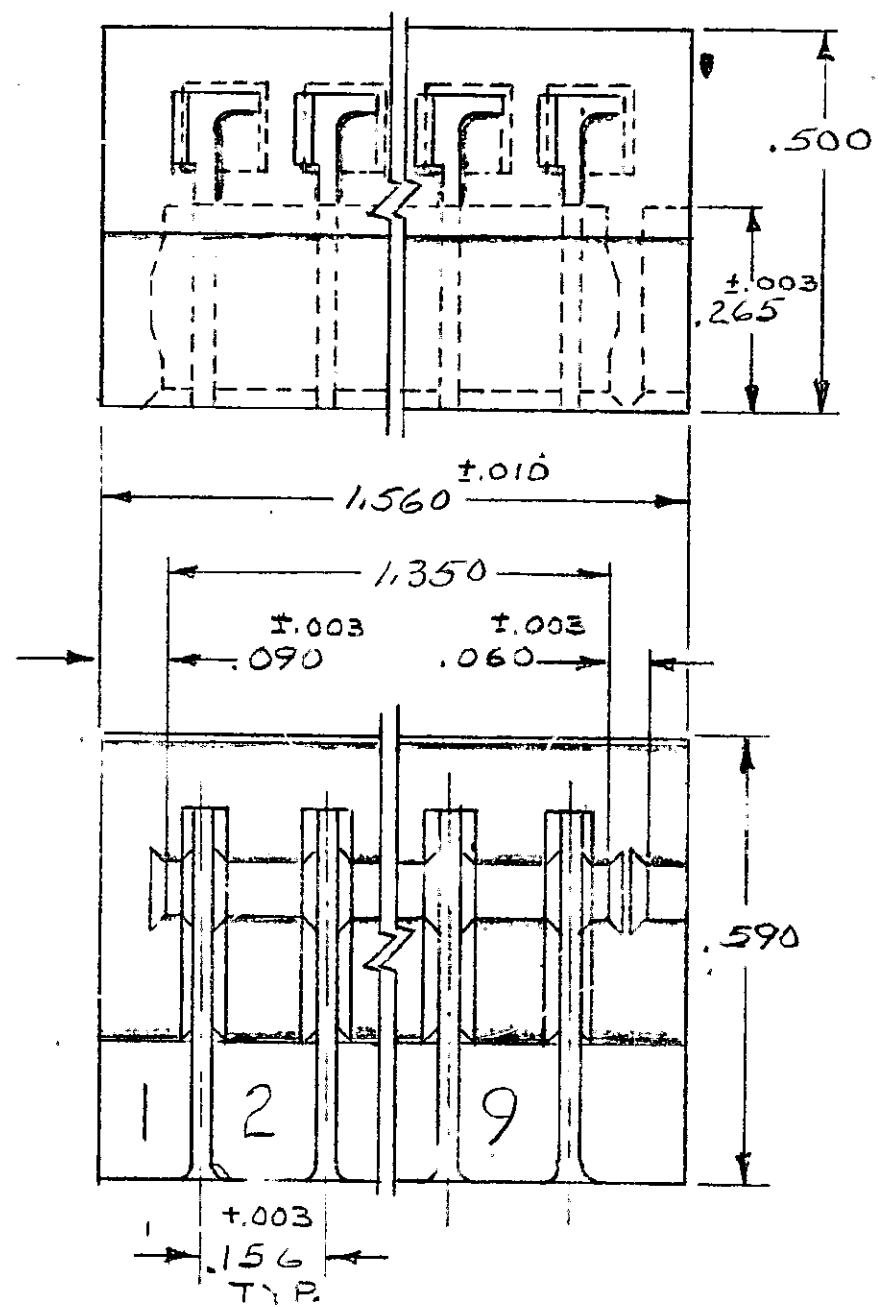
Address: A1208, Overseas Decoration Building, #122 Zhenhua RD., Futian, Shenzhen, China



REVISIONS				
ZONE	LTR	DESCRIPTION	DATE	APPROVED
	GI	REDRAWN WITHOUT CHANGE 3398 DR	2-9-72	D.H.
	H	REVISED 3535	6-8-72	m.s. d.H.
	HI	OBS. - 3 AD1097	2-7-80	RL
	J	REV. / AD1746	7-27	MM
	K	REV / AD1840 OBS -10	3-88	MM
	L	REV PER 0010-1143-95	11-95	P.G.
	M	REV PER EC 0G3C-233-01	03OCT01	MM

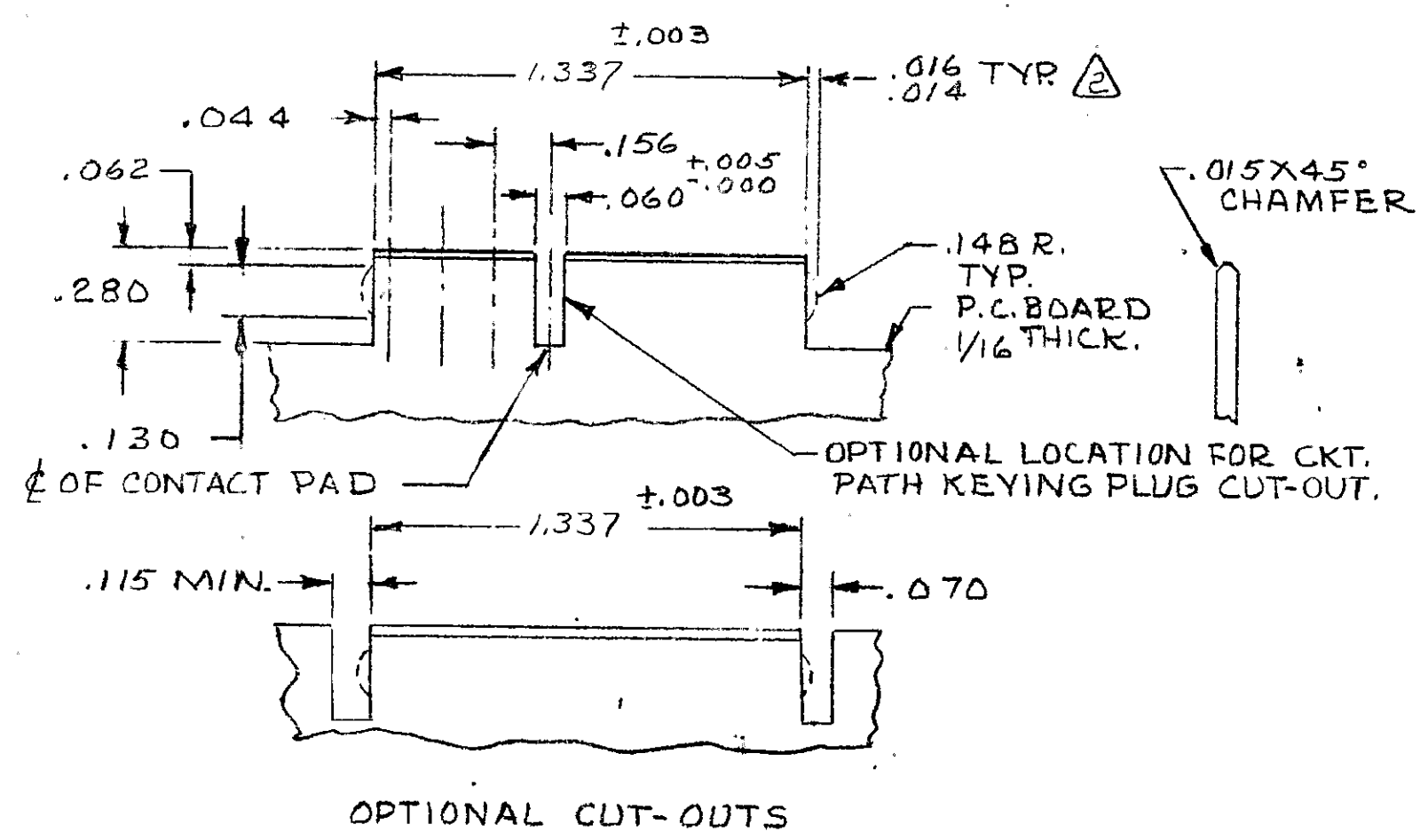
PART NO	COLOR
582375-1	BROWN
582375-2	RED
582375-3	ORANGE
582375-4	YELLOW
582375-5	GREEN
582375-6	BLUE
582375-7	VIOLET
582375-8	GRAY
582375-9	NATURAL
582375-0	BLACK

OBSOLETE



PART NO. & DATE CODE ... MARKED OR MOLDED IN THIS AREA. DATE CODE (OPTIONAL)

1. REFER TO 60215 & 583284 FOR TERMINAL
 2. THE RETAINING DIMPLES ARE OPTIONAL IN BOTH CUT-OUTS.



OPTIONAL CUT-OUTS

UNLESS OTHERWISE SPECIFIED, DIMENSIONS ARE IN INCHES TOLERANCES ON : DECIMALS ±.005 ANGLES ±	CONTRACT NO.	AMP INCORPORATED HARRISBURG, PENNSYLVANIA
	DR <i>Rumble 2-9-72</i>	
MATERIAL NYLON	CHK <i>J.S. Heide 2-21-72</i>	NAME HOUSING, DUO-TYNE FLAG, 9. POSITION.
	APPD <i>D. Bushby 2-22-72</i>	SIZE C
	REL <i>R. Shuman 2-22-72</i>	CODE IDENT NO. 00779
	DSGN APPD	NUMBER 582375
OTHER APPD	SCALE 4-1	SHEET 1 OF 1

NUMBER 582375