



Chipsmall Limited consists of a professional team with an average of over 10 year of expertise in the distribution of electronic components. Based in Hongkong, we have already established firm and mutual-benefit business relationships with customers from,Europe,America and south Asia,supplying obsolete and hard-to-find components to meet their specific needs.

With the principle of "Quality Parts,Customers Priority,Honest Operation,and Considerate Service",our business mainly focus on the distribution of electronic components. Line cards we deal with include Microchip,ALPS,ROHM,Xilinx,Pulse,ON,Everlight and Freescale. Main products comprise IC,Modules,Potentiometer,IC Socket,Relay,Connector.Our parts cover such applications as commercial,industrial, and automotives areas.

We are looking forward to setting up business relationship with you and hope to provide you with the best service and solution. Let us make a better world for our industry!



Contact us

Tel: +86-755-8981 8866 Fax: +86-755-8427 6832

Email & Skype: info@chipsmall.com Web: www.chipsmall.com

Address: A1208, Overseas Decoration Building, #122 Zhenhua RD., Futian, Shenzhen, China

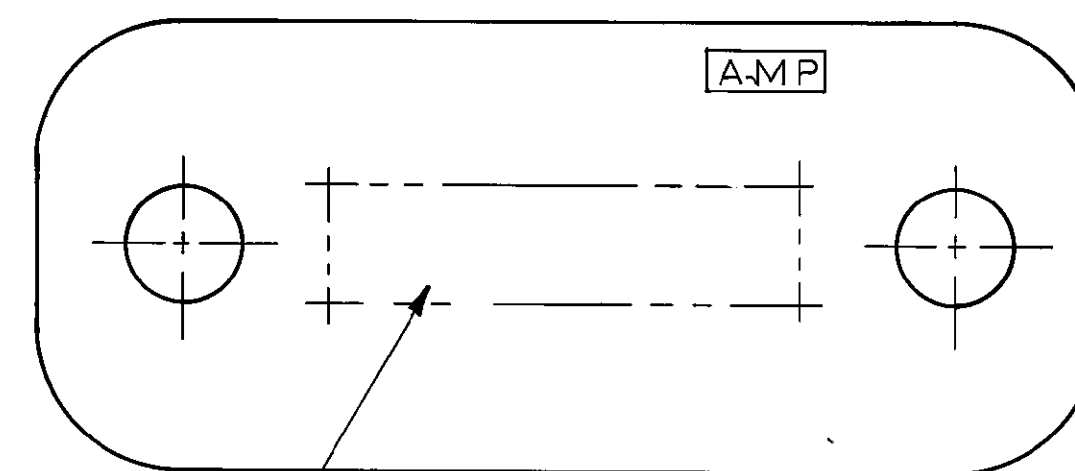
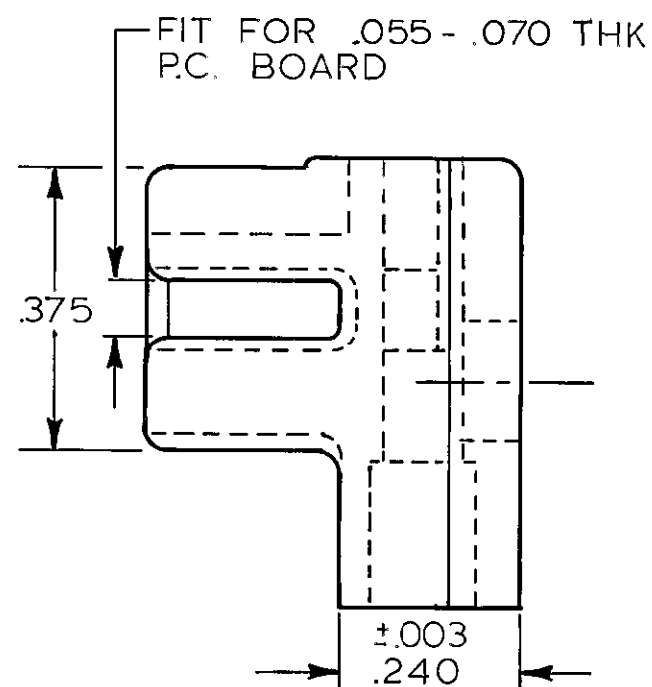
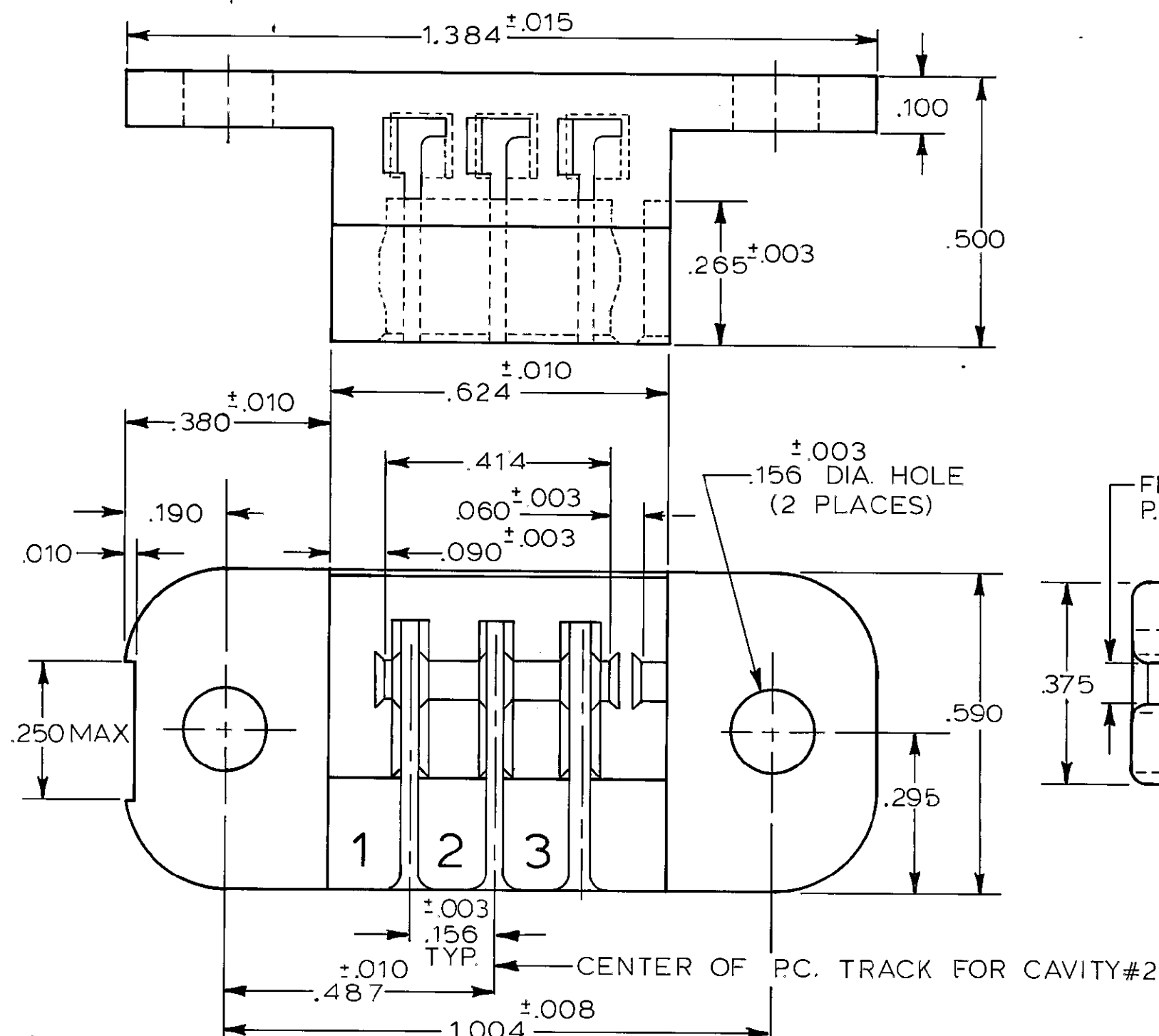


THIS DRAWING IS UNPUBLISHED. RELEASED FOR PUBLICATION FEBRUARY 22, 1972.
 © COPYRIGHT 1962 BY AMP INCORPORATED, HARRISBURG, PA. ALL INTERNATIONAL RIGHTS RESERVED. AMP PRODUCTS MAY BE COVERED BY U.S. AND FOREIGN PATENTS AND/OR PATENTS PENDING.

REVISIONS						
P	F	ZONE	LTR	DESCRIPTION	DATE	APPROVED
✓			K	REV/REDRAWN PER ADO273 SR	7-2-84	<i>H.W.C.</i>
✓			L	REV PER AD 1746	8-24-87	<i>ca/A.W.K.</i>
✓			M	REV PER 0010-1143-95	11-95	P.B.
			N	REV PER EC 0G3C-233-01	03OCT01	MM

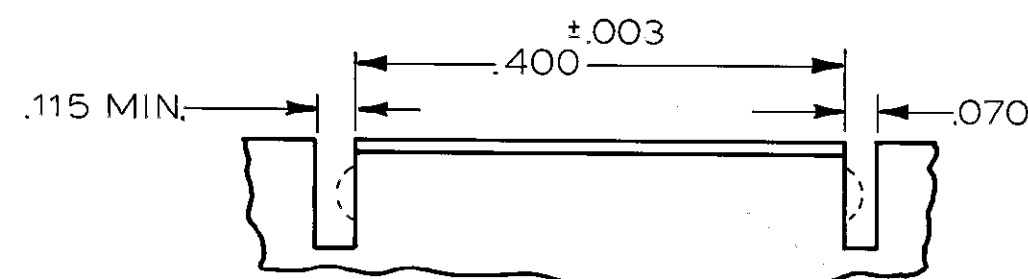
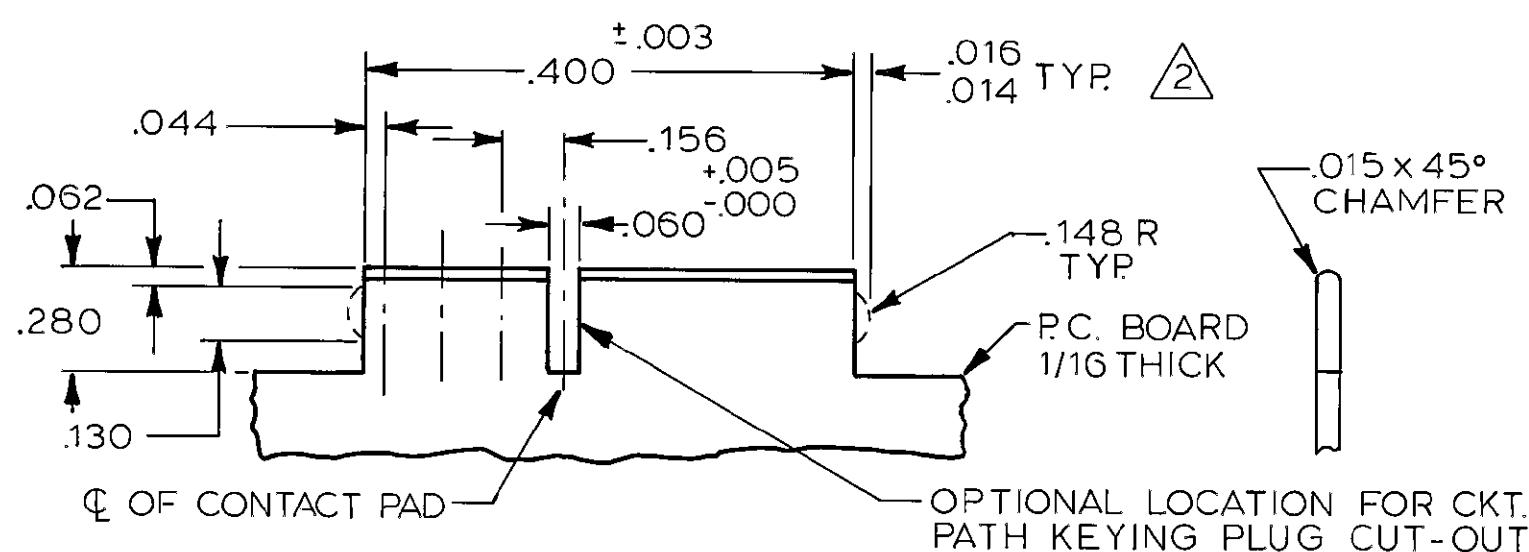
PART No.	COLOR
582380-1	BROWN
582380-2	RED
582380-3	ORANGE
582380-4	YELLOW
582380-5	GREEN
582380-6	BLUE
582380-7	VIOLET
582380-8	GRAY
582380-9	NATURAL
1-582380-0	BLACK

OBsolete



PART No. & DATE CODE MARKED OR MOLDED IN THIS AREA. DATE CODE (OPTIONAL)

- 1. REFER TO 60215 & 583284 FOR TERMINAL.
- 2. THE RETAINING DIMPLES ARE OPTIONAL IN BOTH CUT-OUTS
- 3. CARD SLOT AND MOUNTING HOLE DIMENSIONS TO BE CHECKED WITH HOUSING RESTRAINED. (AS MOUNTED)



OPTIONAL CUT-OUTS

UNLESS OTHERWISE SPECIFIED DIMENSIONS ARE IN INCHES. TOLERANCES ON: DECIMALS ±.005 ANGLES ±		CONTRACT NO		PART NO	
MATERIAL NYLON		DR <i>S. Ruzic</i> 7/2/84		AMP AMP INCORPORATED Harrisburg, Pa. 17105	
FINISH		CHK <i>Howard W. Rose</i> 7/2/84		NAME HOUSING, DUO-TYNE FLAG WITH MOUNTING HOLES 3 POSITION	
OTHER APPD		APPD <i>Howard W. Rose</i> 7/2/84		SIZE C	
		APPD <i>Emm. C. ...</i> 7/2/84		FSCM NO 00779	
		DSGN APPD		DRAWING NO 582380	
		OTHER APPD		SCALE 4:1	
				SHEET 1 OF 1	

582380