



Chipsmall Limited consists of a professional team with an average of over 10 year of expertise in the distribution of electronic components. Based in Hongkong, we have already established firm and mutual-benefit business relationships with customers from,Europe,America and south Asia,supplying obsolete and hard-to-find components to meet their specific needs.

With the principle of “Quality Parts,Customers Priority,Honest Operation,and Considerate Service”,our business mainly focus on the distribution of electronic components. Line cards we deal with include Microchip,ALPS,ROHM,Xilinx,Pulse,ON,Everlight and Freescale. Main products comprise IC,Modules,Potentiometer,IC Socket,Relay,Connector.Our parts cover such applications as commercial,industrial, and automotives areas.

We are looking forward to setting up business relationship with you and hope to provide you with the best service and solution. Let us make a better world for our industry!



Contact us

Tel: +86-755-8981 8866 Fax: +86-755-8427 6832

Email & Skype: info@chipsmall.com Web: www.chipsmall.com

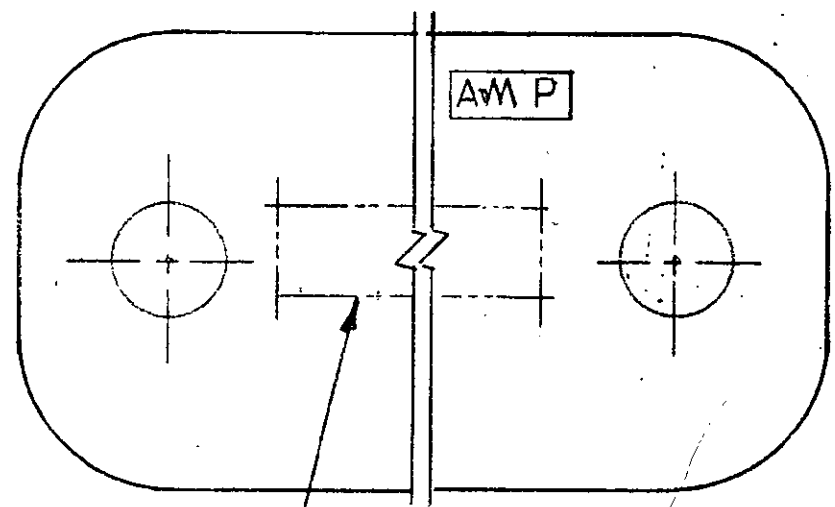
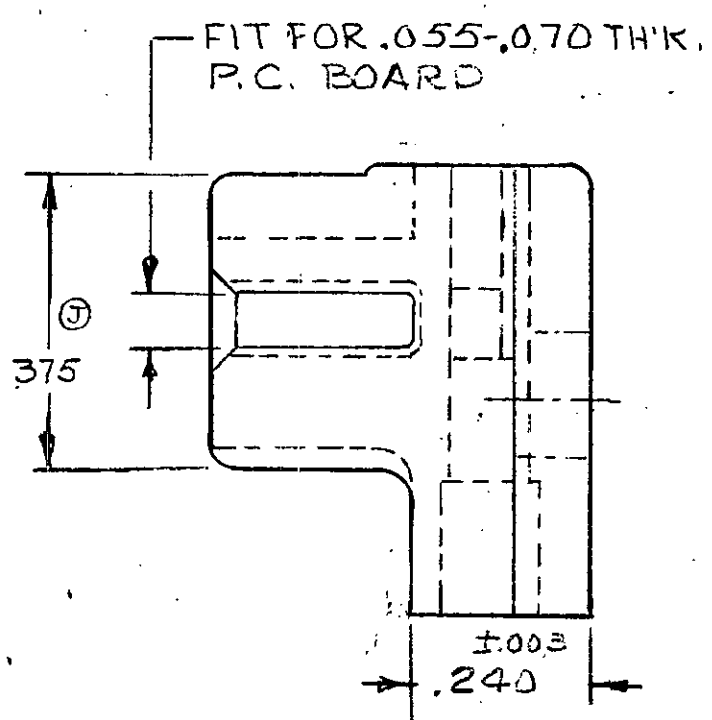
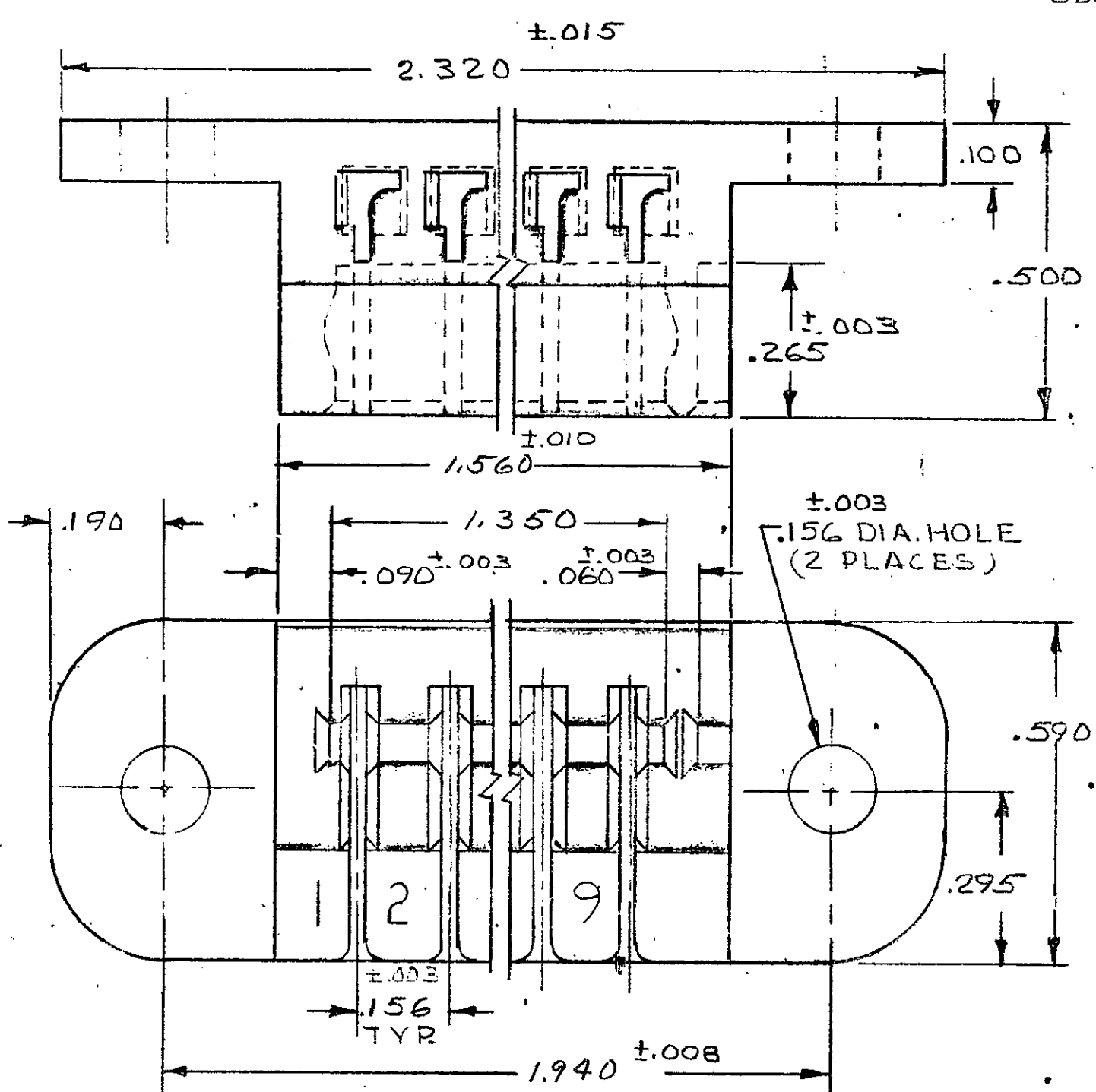
Address: A1208, Overseas Decoration Building, #122 Zhenhua RD., Futian, Shenzhen, China



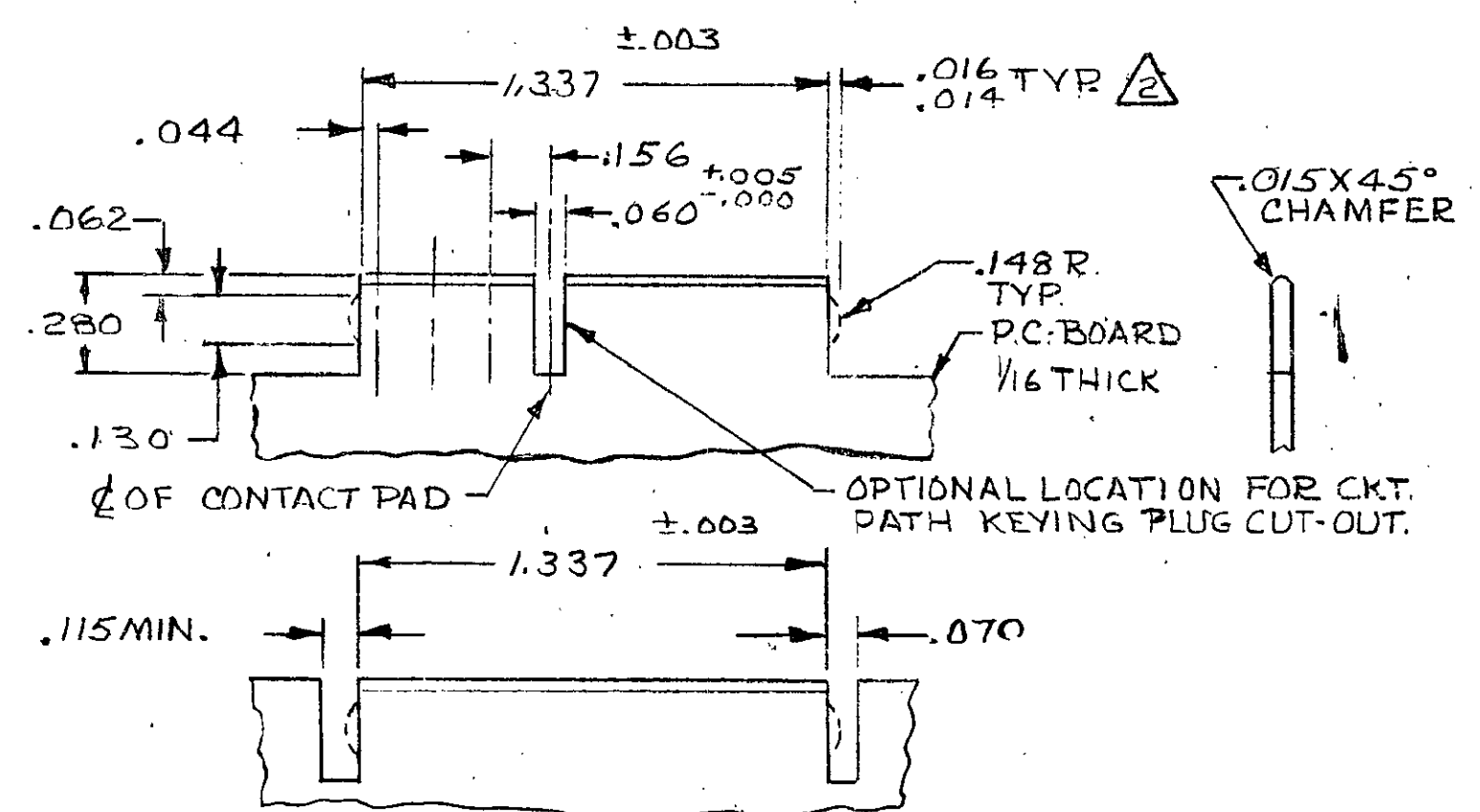
| REVISIONS | | | | |
|-----------|-----|------------------------|------------------|----------|
| ZONE | LTR | DESCRIPTION | DATE | APPROVED |
| | H1 | REDRAWN WITHOUT CHANGE | 3388 DR 2-8-72 | D.H. |
| | J | REVISED | 3535 M.S. 6-8-72 | D.H. |
| | J1 | OBS -1 PER AD1253 | 6-27-86 | CP/CS |
| | K | REV PER AD 1746 | 9-24-87 | CSW/MS |
| | L | REV / AD 1840, OBS -10 | TH 9-88 | HWR. |
| | M | REV PER 0010-1143-95 | 11-95 | P.B. |
| | N | REV PER EC 063C-233-01 | 03OCT01 | MM |

OBSOLETE

| PART N ^o . | COLOR. |
|-----------------------|---------|
| 582383-1 | BROWN |
| 582383-2 | RED |
| 582383-3 | ORANGE |
| 582383-4 | YELLOW |
| 582383-5 | GREEN |
| 582383-6 | BLUE |
| 582383-7 | VIOLET |
| 582383-8 | GRAY |
| 582383-9 | NATURAL |
| 1-582383-0 | BLACK |



PART N^o & DATE CODE MARKED OR MOLDED IN THIS AREA. DATE CODE (OPTIONAL)



OPTIONAL CUT-OUTS.

- REFER TO 60215 & 583284 FOR TERMINAL.
- THE RETAINING DIMPLES ARE OPTIONAL IN BOTH CUT-OUTS.
- CARD SLOT AND MOUNTING HOLE DIMENSIONS TO BE CHECKED WITH HOUSING RESTRAINED. (AS MOUNTED)

| | | | |
|---|--------------------------|--|---|
| UNLESS OTHERWISE SPECIFIED, DIMENSIONS ARE IN INCHES TOLERANCES ON : DECIMALS ±.005 ANGLES ± | CONTRACT NO. | AMP INCORPORATED HARRISBURG, PENNSYLVANIA | |
| | MATERIAL NYLON | DR <i>Rumple</i> 2-8-72 CHK <i>D.S. Weide</i> 2-21-72 APPD <i>D.H. Bushey</i> 2-22-72 REL <i>R. Shuman</i> 4/2/72 | NAME HOUSING, DUD-TYNE FLAG, WITH MOUNTING HOLES, 9 POSITION. |
| | DSGN APPD | SIZE C | CODE IDENT NO. 00779 |
| | OTHER APPD | NUMBER 582383 | |
| | | SCALE 4-1 | SHEET 1 OF 1 |