



Chipsmall Limited consists of a professional team with an average of over 10 year of expertise in the distribution of electronic components. Based in Hongkong, we have already established firm and mutual-benefit business relationships with customers from,Europe,America and south Asia,supplying obsolete and hard-to-find components to meet their specific needs.

With the principle of “Quality Parts,Customers Priority,Honest Operation,and Considerate Service”,our business mainly focus on the distribution of electronic components. Line cards we deal with include Microchip,ALPS,ROHM,Xilinx,Pulse,ON,Everlight and Freescale. Main products comprise IC,Modules,Potentiometer,IC Socket,Relay,Connector.Our parts cover such applications as commercial,industrial, and automotives areas.

We are looking forward to setting up business relationship with you and hope to provide you with the best service and solution. Let us make a better world for our industry!



Contact us

Tel: +86-755-8981 8866 Fax: +86-755-8427 6832

Email & Skype: info@chipsmall.com Web: www.chipsmall.com

Address: A1208, Overseas Decoration Building, #122 Zhenhua RD., Futian, Shenzhen, China



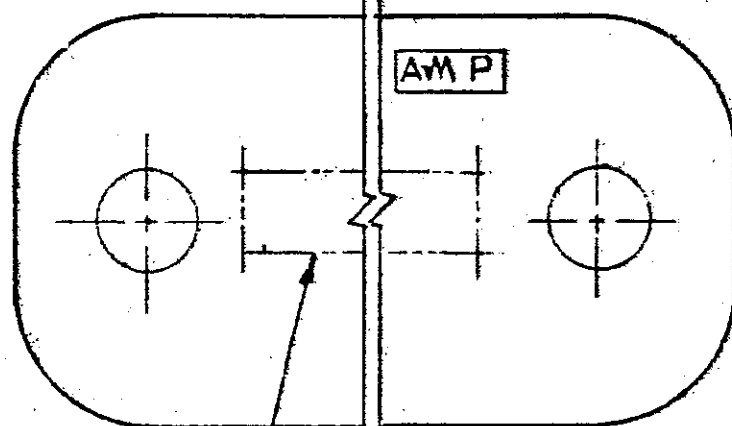
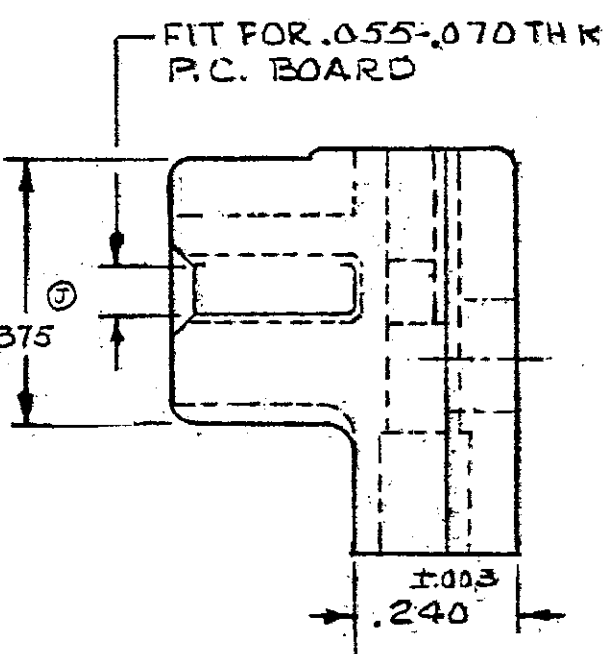
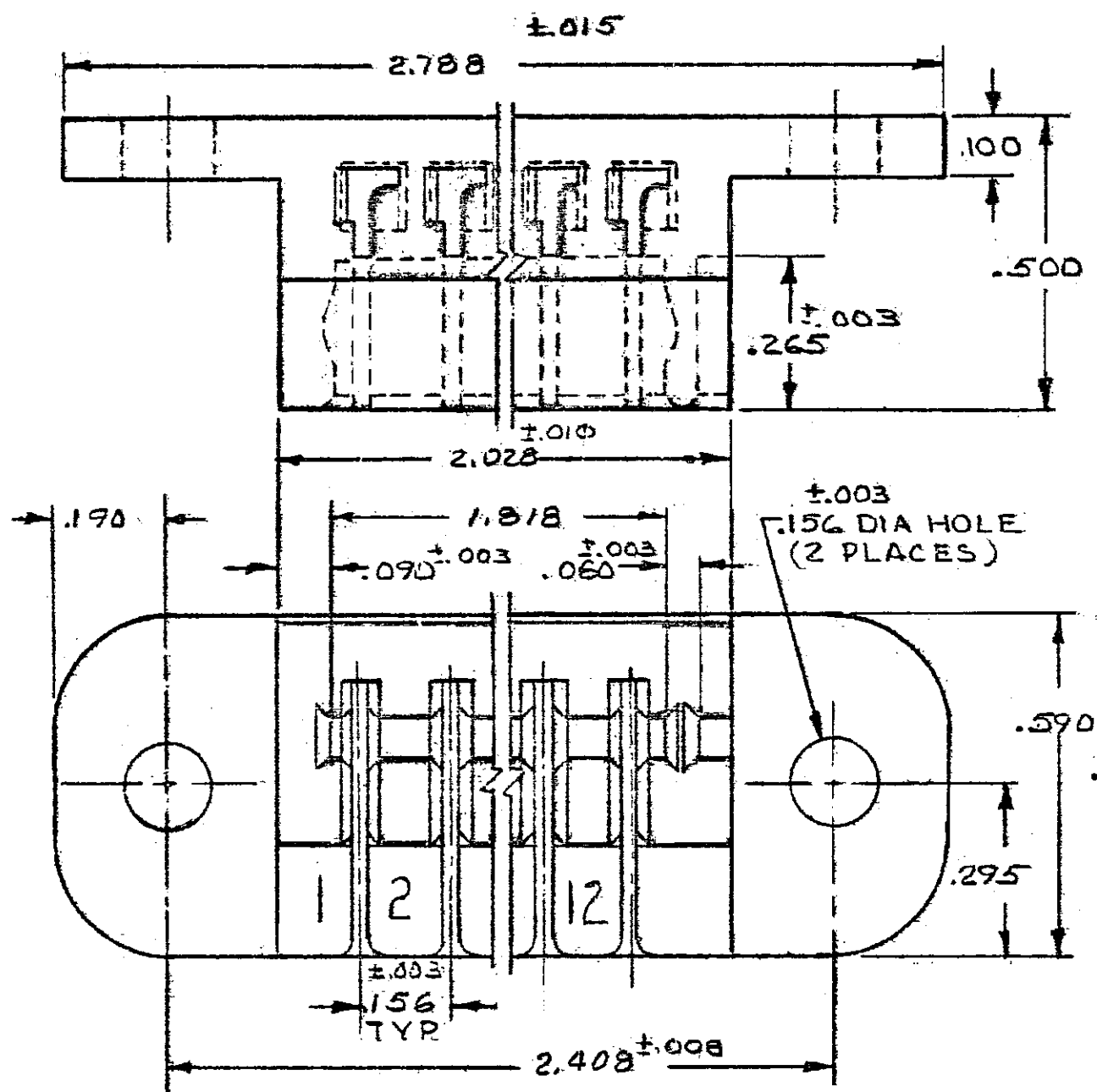
DRAWING MADE IN AMERICAN PROJECTION

© 1972 BY AMP INCORPORATED. ALL RIGHTS RESERVED. AMP PRODUCTS COVERED BY PATENTS AND OR PATENTS PENDING.

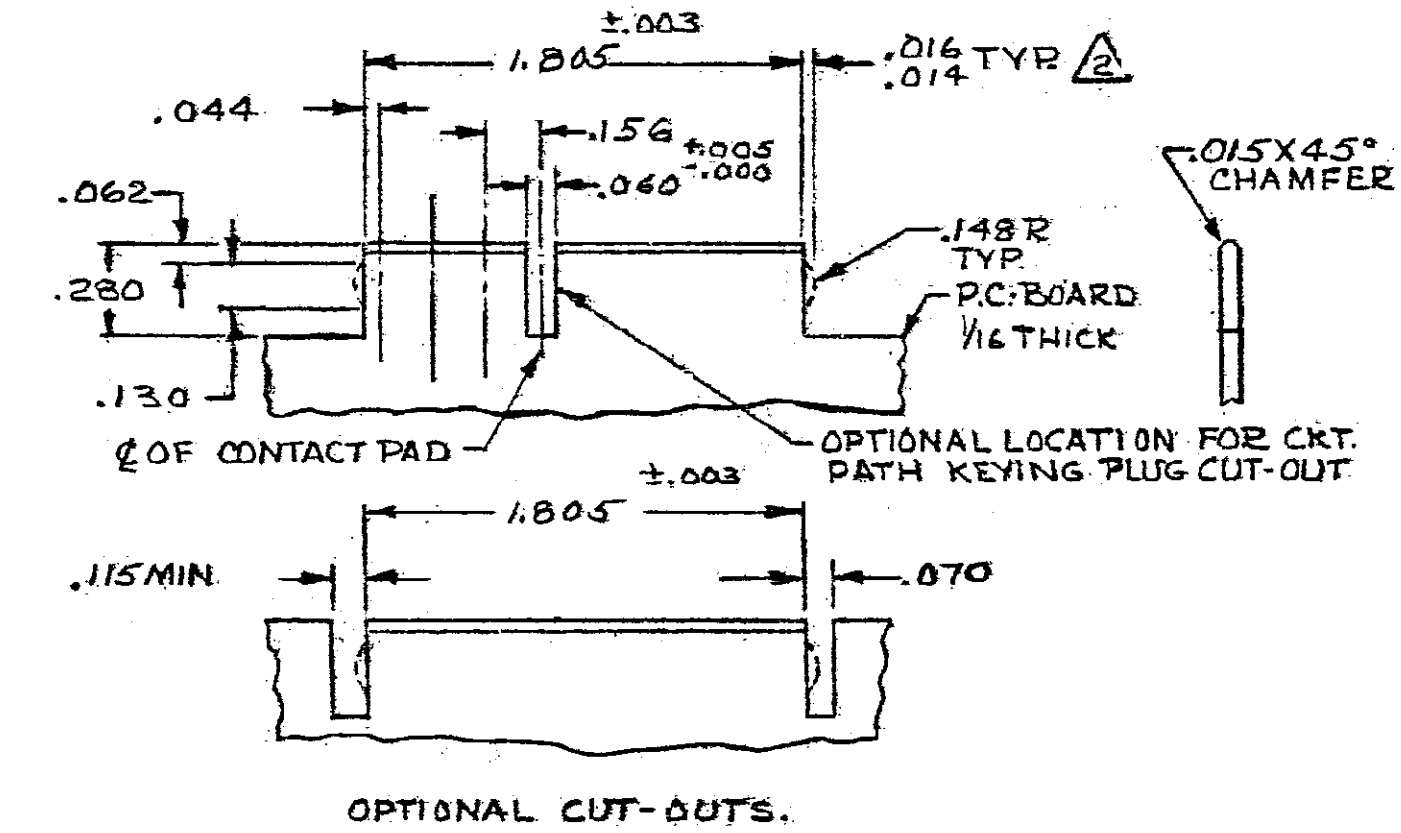
REVISIONS					
ZONE	LTR	DESCRIPTION	DATE	APPROVED	
	H1	REDRAWN WITHOUT CHANGE	3588 DR 2-3-72	DH	
	J	REVISED	3535 M.S. 6-8-72	DH	
	K	REV PER AD 1746	831-87 LB		
	L	OBS-1 PER ECN 0694-93	1-93	RAC	
	M	REV PER 0010-1143-95	11-95	P.B.	
	N	REV PER EC 0G3C-233-01	03OCT01	MM	

PART N ^o	COLOR
582384-1	BROWN
582384-2	RED
582384-3	ORANGE
582384-4	YELLOW
582384-5	GREEN
582384-6	BLUE
582384-7	VIOLET
582384-8	GRAY
582384-9	NATURAL
582384-0	BLACK

OBSOLETE



PART N^o & DATE CODE MARKED OR MOLDED IN THIS AREA. DATE CODE (OPTIONAL)



- REFER TO 60215 & 583284 FOR TERMINAL.
- THE RETAINING DIMPLES ARE OPTIONAL IN BOTH CUT-OUTS.
- CARD SLOT AND MOUNTING HOLE DIMENSIONS TO BE CHECKED WITH HOUSING RESTRAINED. (AS MOUNTED)

UNLESS OTHERWISE SPECIFIED, DIMENSIONS ARE IN INCHES. TOLERANCES ON: DECIMALS ±.005, ANGLES ±	CONTRACT NO.	AMP INCORPORATED HARRISBURG, PENNSYLVANIA	
	DR <i>P. Rumble</i> 2-3-72	NAME HOUSING, DUO-TYNE FLAG, WITH MOUNTING HOLES. 12 POSITION	
	CHK <i>J.S. Wade</i> 2-21-72	SIZE	NUMBER
	APPD <i>Dr. Bushey</i> 2-22-72	C 00779	582384
MATERIAL NYLON	REL <i>R. Sproun</i> 2-22-72	CODE & DESIG. NO.	SHEET 1 OF 1
DSGN APPD	OTHER APPD	SCALE 4-1	

CUSTOMER DRAWING

LOG
REV
00

SUBJECT 582384