



Chipsmall Limited consists of a professional team with an average of over 10 year of expertise in the distribution of electronic components. Based in Hongkong, we have already established firm and mutual-benefit business relationships with customers from,Europe,America and south Asia,supplying obsolete and hard-to-find components to meet their specific needs.

With the principle of “Quality Parts,Customers Priority,Honest Operation,and Considerate Service”,our business mainly focus on the distribution of electronic components. Line cards we deal with include Microchip,ALPS,ROHM,Xilinx,Pulse,ON,Everlight and Freescale. Main products comprise IC,Modules,Potentiometer,IC Socket,Relay,Connector.Our parts cover such applications as commercial,industrial, and automotives areas.

We are looking forward to setting up business relationship with you and hope to provide you with the best service and solution. Let us make a better world for our industry!



Contact us

Tel: +86-755-8981 8866 Fax: +86-755-8427 6832

Email & Skype: info@chipsmall.com Web: www.chipsmall.com

Address: A1208, Overseas Decoration Building, #122 Zhenhua RD., Futian, Shenzhen, China

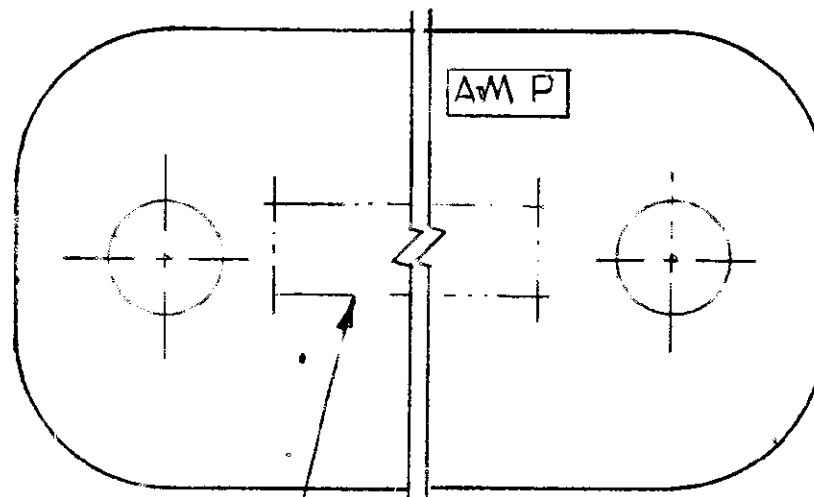
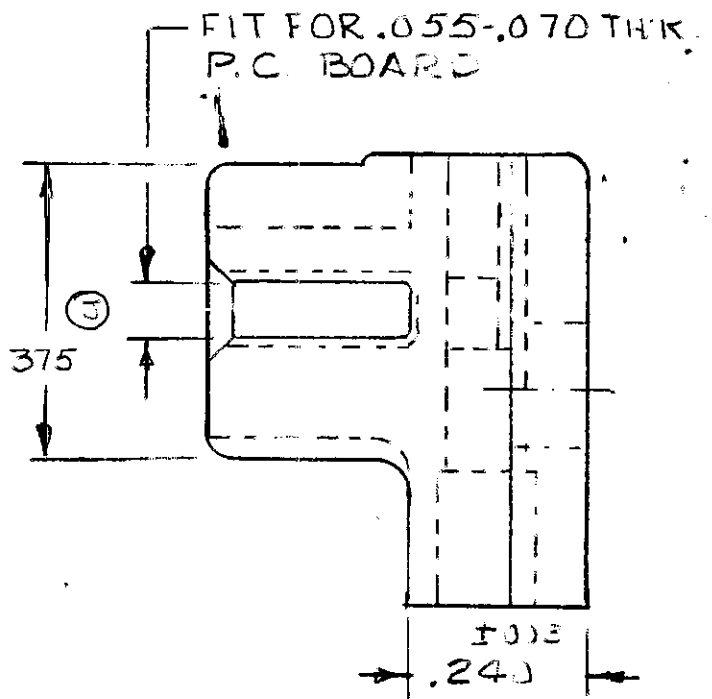
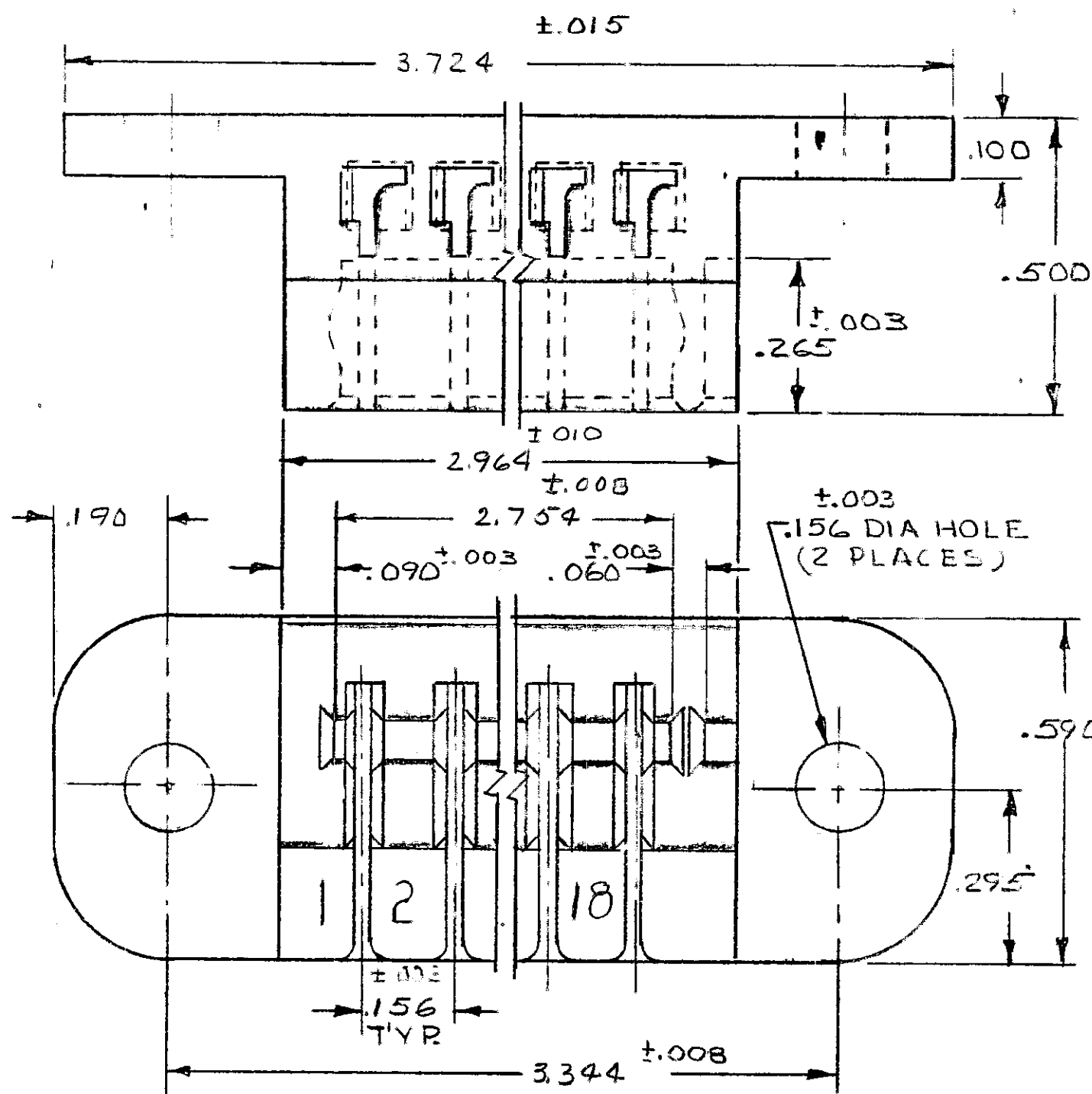


REVISIONS					
ZONE	LTR	DESCRIPTION	DATE	APPROVED	
	H1	REDRAWN WITHOUT CHANGE	338A DR 2-8-72	SH	
	J	REVISED	3535 MS 6-8-72	LH	
	T1	OBS - O	AD10 97	RO	2-7-86
	K	REV PER AD 1746			8-24-87
	L	REV / AD 1840 OBS -1		TH	3-88
	M	REV PER 0010-1143-95			11-95
	N	REV PER EC 0G3C-233-01			08OCT01

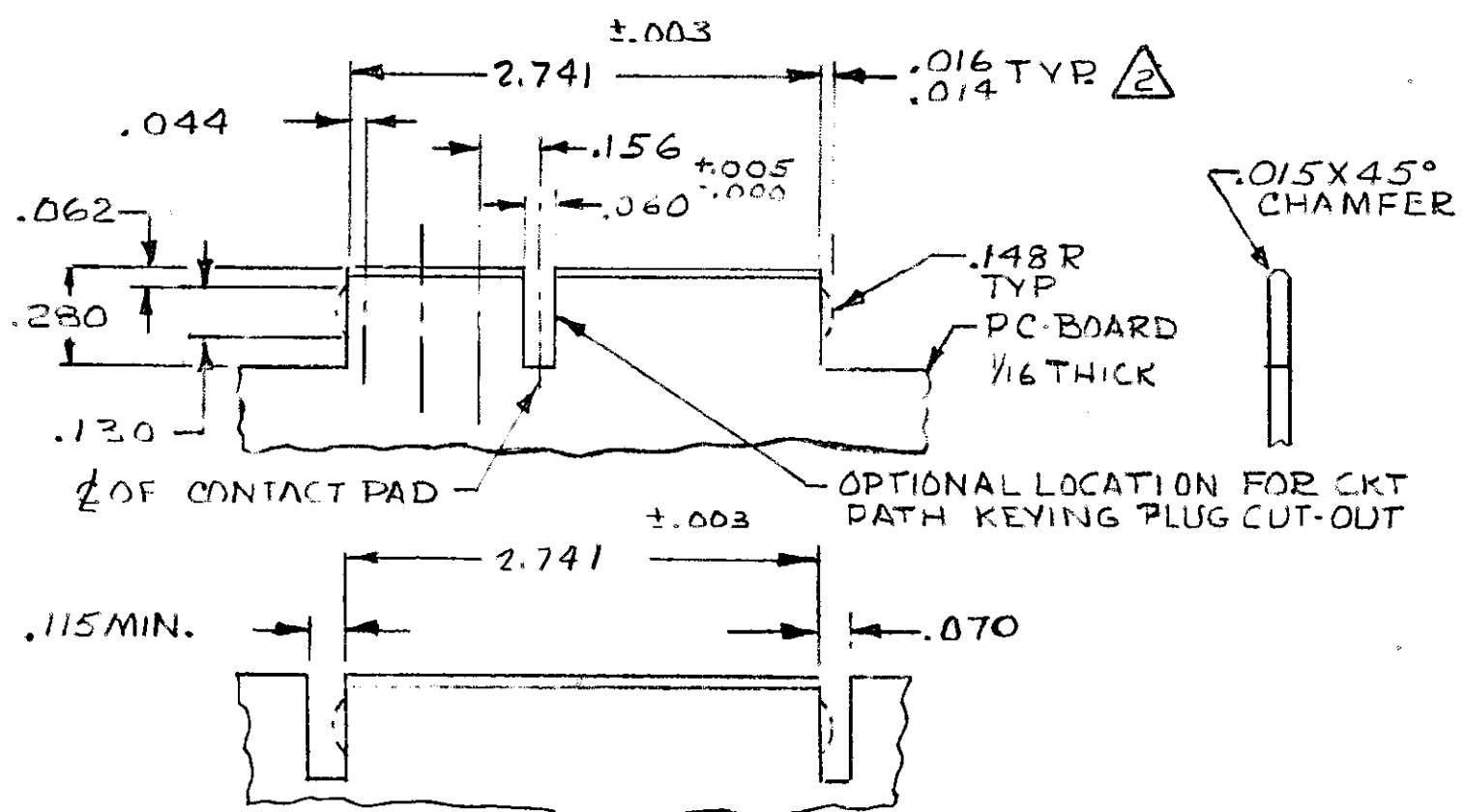
PART N ^o .	COLOR.
582387-1	BROWN
582387-2	RED
582387-3	ORANGE
582387-4	YELLOW
582387-5	GREEN
582387-6	BLUE
582387-7	VIOLET
582387-8	GRAY
582387-9	NATURAL
582387-0	BLACK

OBSOLETE

OBSOLETE



PART N^o & DATE CODE MARKED OR MOLDED IN THIS AREA, DATE CODE (OPTIONAL)



OPTIONAL CUT-OUTS.

- REFER TO 60215 & 533284 FOR TERMINAL.
- THE RETAINING DIMPLES ARE OPTIONAL IN BOTH CUT-OUTS.
- CARD SLOT AND MOUNTING HOLE DIMENSIONS TO BE CHECKED WITH HOUSING RESTRAINED. (AS MOUNTED)

UNLESS OTHERWISE SPECIFIED, DIMENSIONS ARE IN INCHES. TOLERANCES ON: DECIMALS: .005 ANGLES: MATERIAL: NYLON	CONTRACT NO.	AMP INCORPORATED HARRISBURG, PENNSYLVANIA
	DR: <i>2-8-72</i> CHD: <i>2-21-72</i> APPD: <i>2-22-72</i> REL: <i>2-22-72</i>	
	DSGN APPD: OTHER APPD:	SIZE: C CODE IDENT NO.: 00779 NUMBER: 582387
	SCALE: 4-1	SHEET: 1 OF 1

NUMBER 582387