



Chipsmall Limited consists of a professional team with an average of over 10 year of expertise in the distribution of electronic components. Based in Hongkong, we have already established firm and mutual-benefit business relationships with customers from,Europe,America and south Asia,supplying obsolete and hard-to-find components to meet their specific needs.

With the principle of “Quality Parts,Customers Priority,Honest Operation,and Considerate Service”,our business mainly focus on the distribution of electronic components. Line cards we deal with include Microchip,ALPS,ROHM,Xilinx,Pulse,ON,Everlight and Freescale. Main products comprise IC,Modules,Potentiometer,IC Socket,Relay,Connector.Our parts cover such applications as commercial,industrial, and automotives areas.

We are looking forward to setting up business relationship with you and hope to provide you with the best service and solution. Let us make a better world for our industry!



Contact us

Tel: +86-755-8981 8866 Fax: +86-755-8427 6832

Email & Skype: info@chipsmall.com Web: www.chipsmall.com

Address: A1208, Overseas Decoration Building, #122 Zhenhua RD., Futian, Shenzhen, China



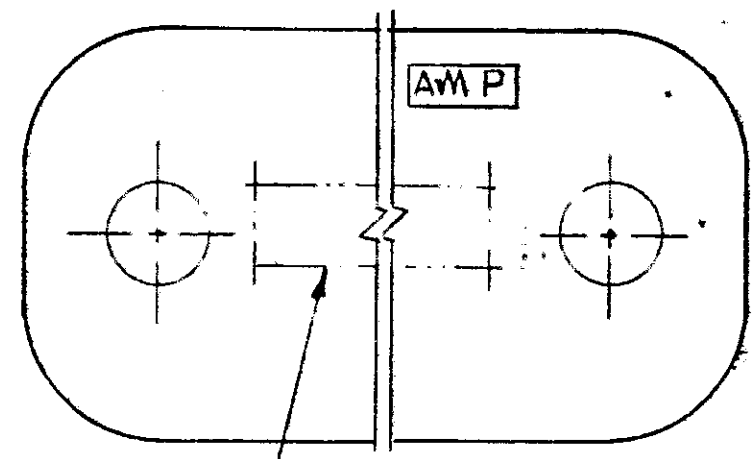
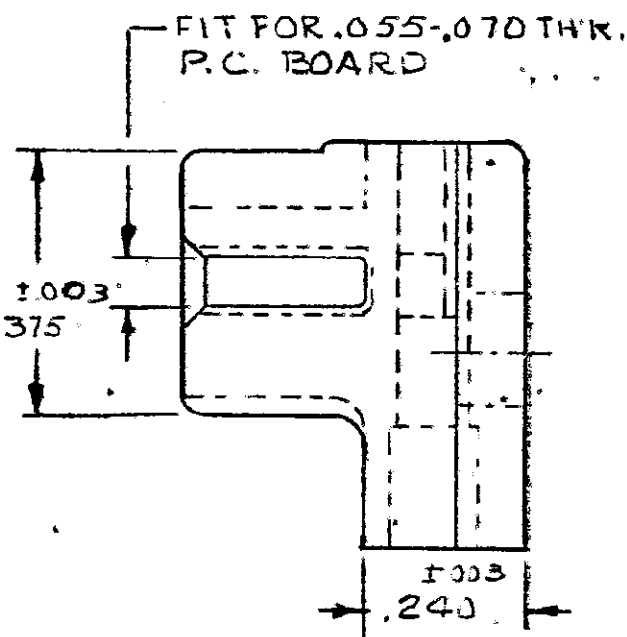
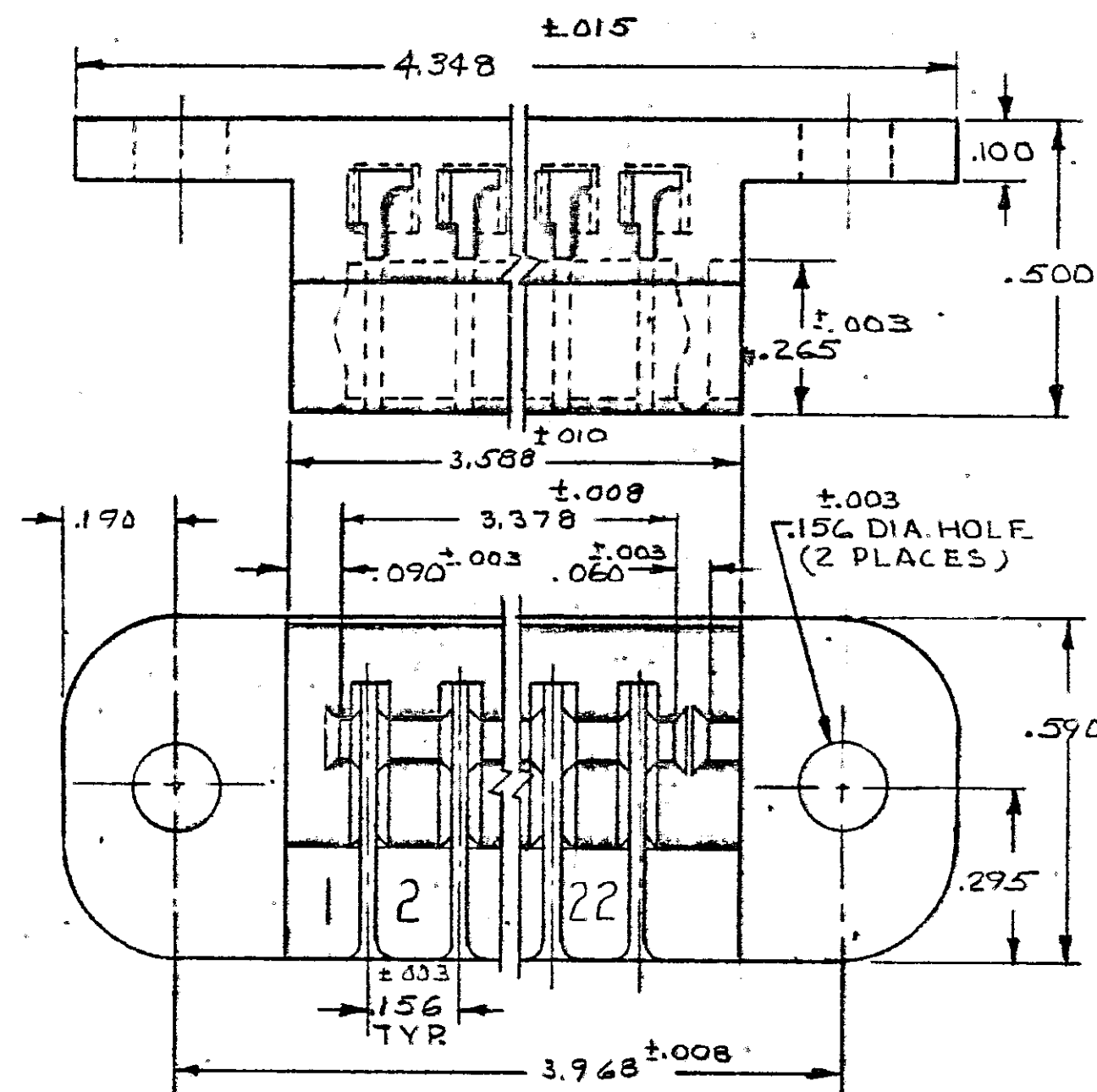
DRAWING MADE IN AMERICAN PROJECTION

© 1962 BY AMP INCORPORATED. ALL RIGHTS RESERVED. AMP PRODUCTS COVERED BY PATENTS AND OR PATENTS PENDING.

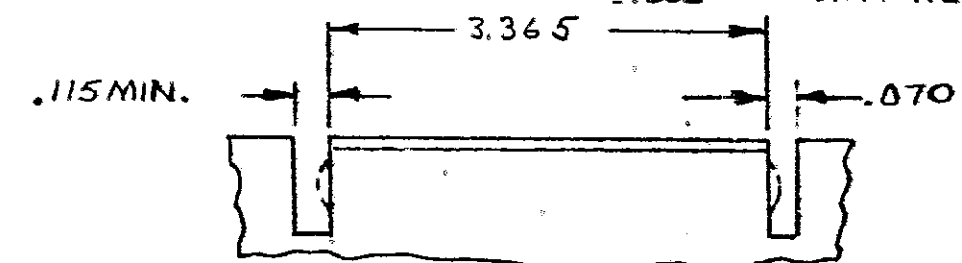
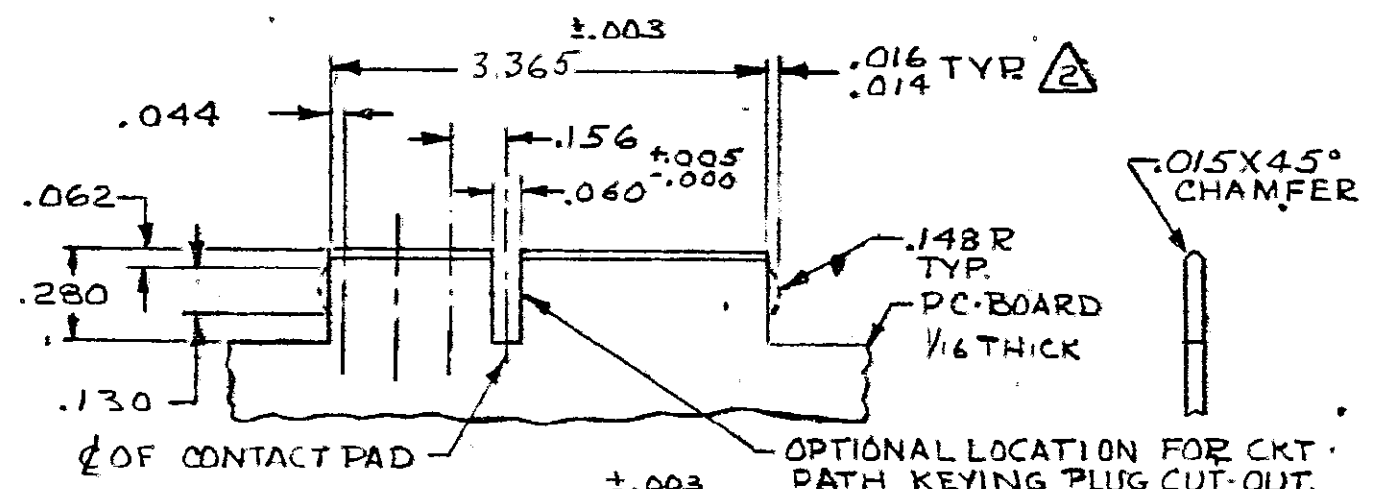
REVISIONS				
ZONE	LTR	DESCRIPTION	DATE	APPROVED
	H1	REDRAWN WITHOUT CHANGE	3588 DR 2-8-72	JH
	J	REV PER AD 1746	931-87	LB/WALK
	K	REV PER 0010-1143-95	11-95	P.B.
	L	REV PER EC 0G3C-233-01	08OCT01	MM

PART N ^o .	COLOR.
582388 1	BROWN
582388 2	RED
582388 3	ORANGE
582388 4	YELLOW
582388 5	GREEN
582388 6	BLUE
582388 7	VIOLET
582388 8	GRAY
582388 9	NATURAL
582388 0	BLACK

OBSOLETE



PART N^o & DATE CODE MARKED OR MOLDED IN THIS AREA. DATE CODE (OPTIONAL)



OPTIONAL CUT-OUTS.

1. REFER TO 60215 & 583284 FOR TERMINAL.
2. THE RETAINING DIMPLES ARE OPTIONAL IN BOTH CUT-OUTS.
3. CARD SLOT AND MOUNTING HOLE DIMENSIONS TO BE CHECKED WITH HOUSING RESTRAINED. (AS MOUNTED)

UNLESS OTHERWISE SPECIFIED, DIMENSIONS ARE IN INCHES TOLERANCES ON DECIMALS ± .005 ANGLES ±	CONTRACT NO.	AMP INCORPORATED HARRISBURG, PENNSYLVANIA
	DR <i>W. Hilde</i> 2-8-72 CHG <i>S.S. Heide</i> 2-21-72 APPD <i>D. Bushey</i> 2-22-72 REL <i>R. Shuman</i> 2-22-72	
MATERIAL NYLON	NAME HOUSING, DUS-TYNE FLAG, WITH MOUNTING HOLES, 22 POSITION.	SIZE CODE IDENT NO. NUMBER C .00779 582388
	OTHER APPD	SCALE: 4-1 SHEET 1 OF 1

NUMBER 582388