



Chipsmall Limited consists of a professional team with an average of over 10 year of expertise in the distribution of electronic components. Based in Hongkong, we have already established firm and mutual-benefit business relationships with customers from,Europe,America and south Asia,supplying obsolete and hard-to-find components to meet their specific needs.

With the principle of “Quality Parts,Customers Priority,Honest Operation,and Considerate Service”,our business mainly focus on the distribution of electronic components. Line cards we deal with include Microchip,ALPS,ROHM,Xilinx,Pulse,ON,Everlight and Freescale. Main products comprise IC,Modules,Potentiometer,IC Socket,Relay,Connector.Our parts cover such applications as commercial,industrial, and automotives areas.

We are looking forward to setting up business relationship with you and hope to provide you with the best service and solution. Let us make a better world for our industry!



Contact us

Tel: +86-755-8981 8866 Fax: +86-755-8427 6832

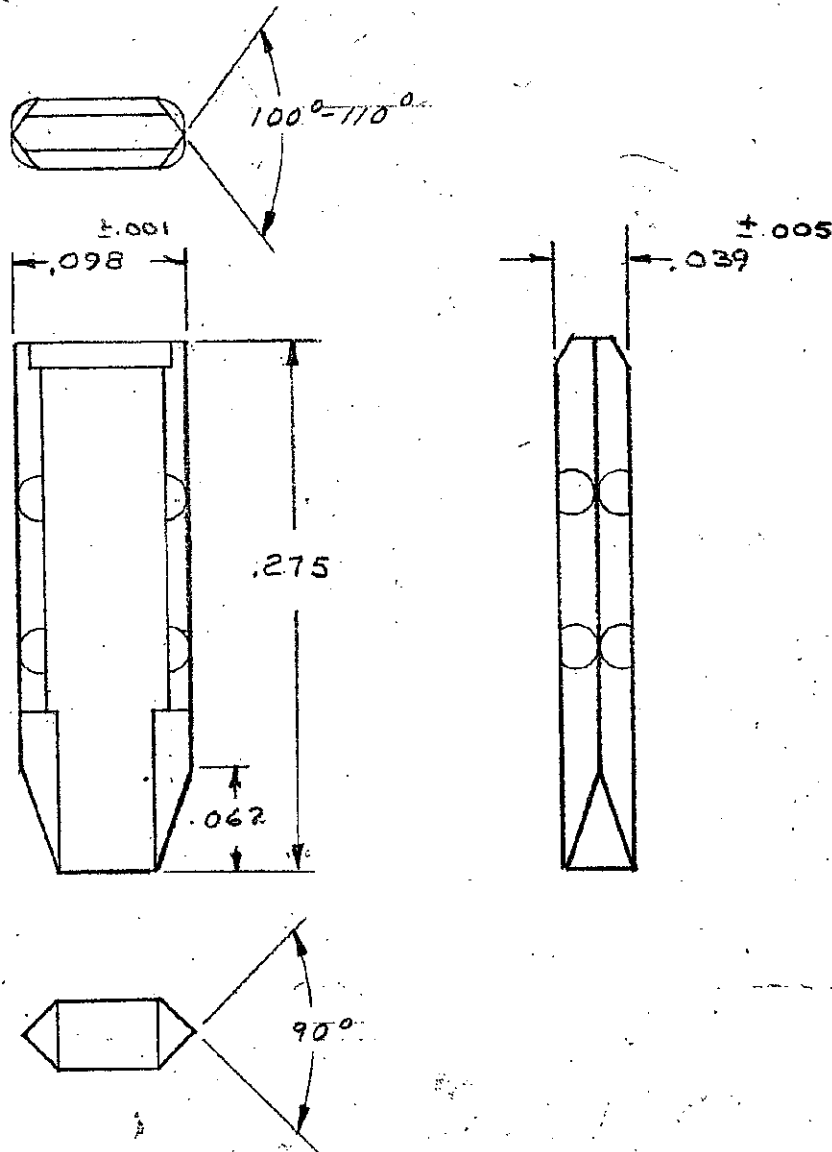
Email & Skype: info@chipsmall.com Web: www.chipsmall.com

Address: A1208, Overseas Decoration Building, #122 Zhenhua RD., Futian, Shenzhen, China



NUMBER
582501

582501 -1 HAS SHOWN



REF Sp MS112-33
DIMENSIONS IN INCHES. DO NOT SCALE PRINT.

PRINT DIST 22

D	REV PER EC 0320-349-97	NS	4/24/67
C	REV PER AD1142	CP	3/21/66
B	REVISE D MATH 1818	m.s.	JWK 6-13-68
A	REVISED 5-990	m.s.	JWK 12-5-62
LTR	REVISION RECORD	DR	CHK DATE
DR	RUNKLE 10-24-62	DR	R. Showman 10-24-62
CHK	J. Kunkle 10-20-62	APP	[Signature] 10/24/62

©1962 BY AMP INCORPORATED. ALL RIGHTS RESERVED. AMP PRODUCTS COVERED BY PATENTS AND/OR PATENTS PENDING.

CUSTOMER COPY REFERENCE ONLY

MATERIAL AND FINISH
GLASS FILLED NYLON



WIRE RANGE INSULATION TYPE

TOLERANCE EXCEPT AS NOTED ±.015

SCALE 10-1
LOC FT A NO 582501 REV D

NAME POLARIZING KEY-WEDGE TYPE