



Chipsmall Limited consists of a professional team with an average of over 10 year of expertise in the distribution of electronic components. Based in Hongkong, we have already established firm and mutual-benefit business relationships with customers from,Europe,America and south Asia,supplying obsolete and hard-to-find components to meet their specific needs.

With the principle of “Quality Parts,Customers Priority,Honest Operation,and Considerate Service”,our business mainly focus on the distribution of electronic components. Line cards we deal with include Microchip,ALPS,ROHM,Xilinx,Pulse,ON,Everlight and Freescale. Main products comprise IC,Modules,Potentiometer,IC Socket,Relay,Connector.Our parts cover such applications as commercial,industrial, and automotives areas.

We are looking forward to setting up business relationship with you and hope to provide you with the best service and solution. Let us make a better world for our industry!



## Contact us

Tel: +86-755-8981 8866 Fax: +86-755-8427 6832

Email & Skype: info@chipsmall.com Web: www.chipsmall.com

Address: A1208, Overseas Decoration Building, #122 Zhenhua RD., Futian, Shenzhen, China

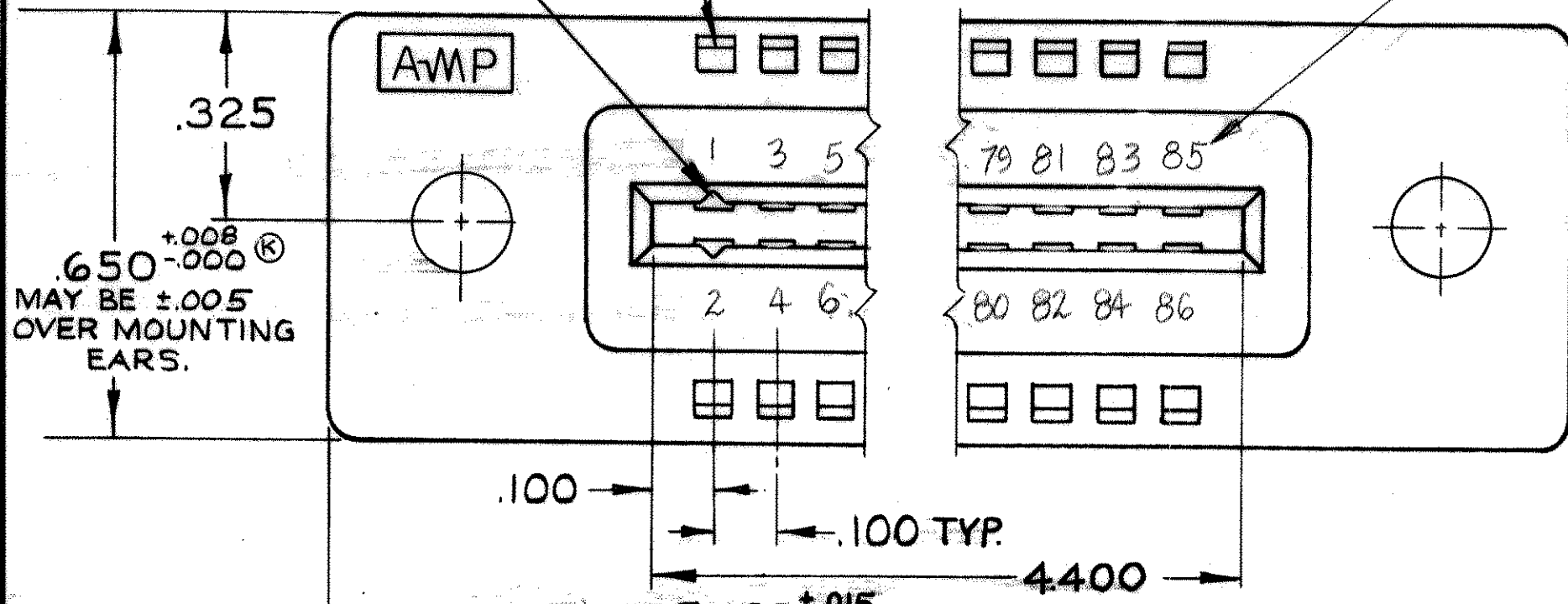


© 1962 BY AMP INCORPORATED. ALL RIGHTS RESERVED. AMP PRODUCTS COVERED BY PATENTS AND/OR PATENTS PENDING. APPROVED PER GOVT CONTRACT NO.

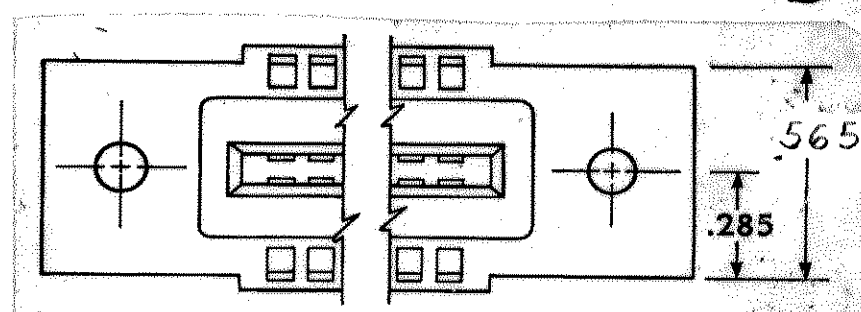
LOCATION FOR AMP-TAB FEMALE CONTACT

CAVITY IDENTIFICATION STAMPED ON TOP SURFACE OF ASSY - PT NO ONLY

REVISIONS				
ZONE	LTR	DESCRIPTION	DATE	APPROVED
✓	T	REVISED PER 0600-3683-95	TA	10-95 J. WARNER
	U	REV PER CG3D-0250-01	CT	3-02 C.T.
	V	ECO-08-020973	PY	11-08 JW

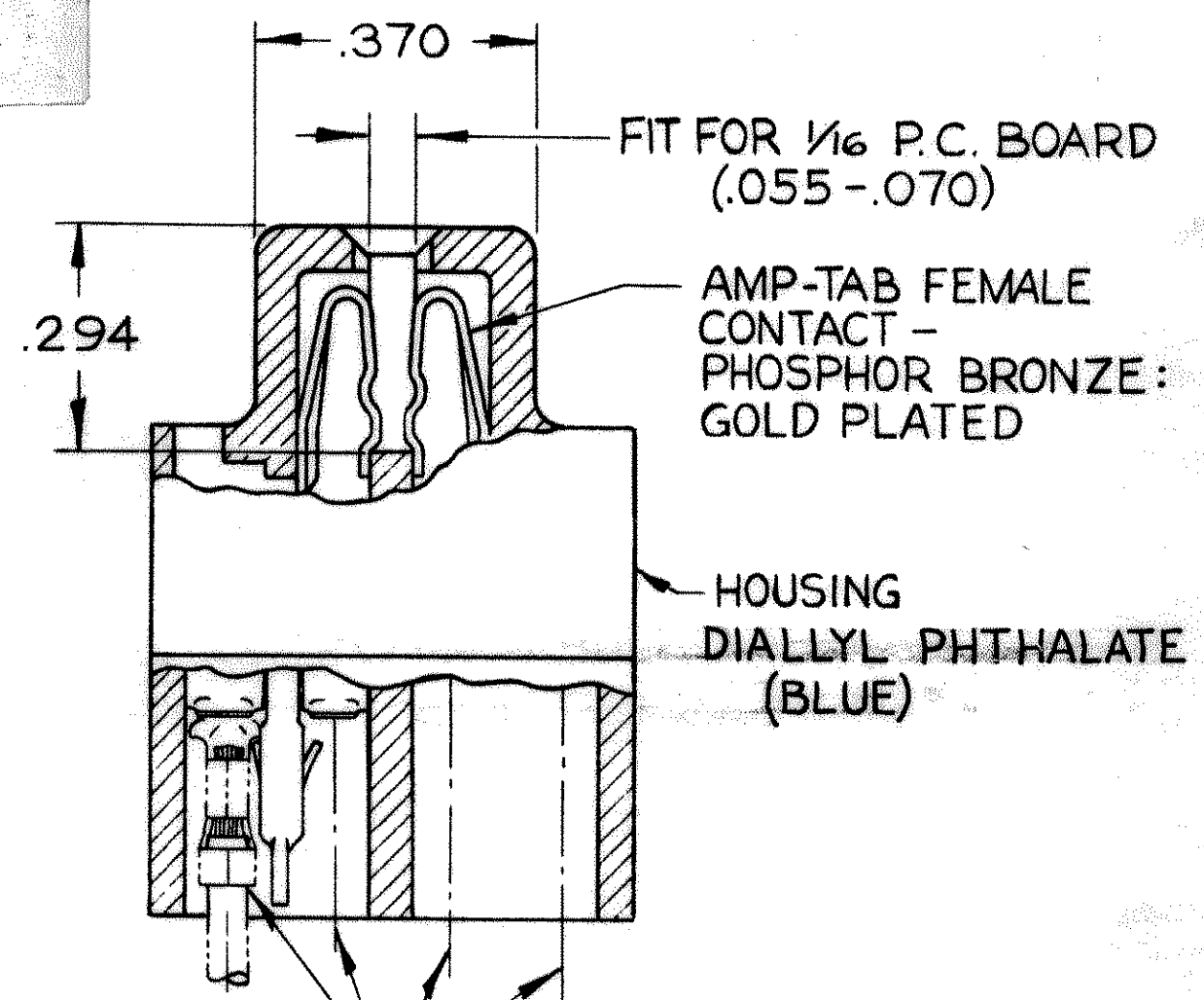


- 582593-1 1. AS SHOWN "J" DIA. HOLES = .128
- 085 582593-2 1. SAME AS -1 EXCEPT:  
2. "J" DIA. HOLES = .156
- 3 1. SAME AS -1 EXCEPT:  
2. CUSTOMER PART NO STAMPED ON SIDE.

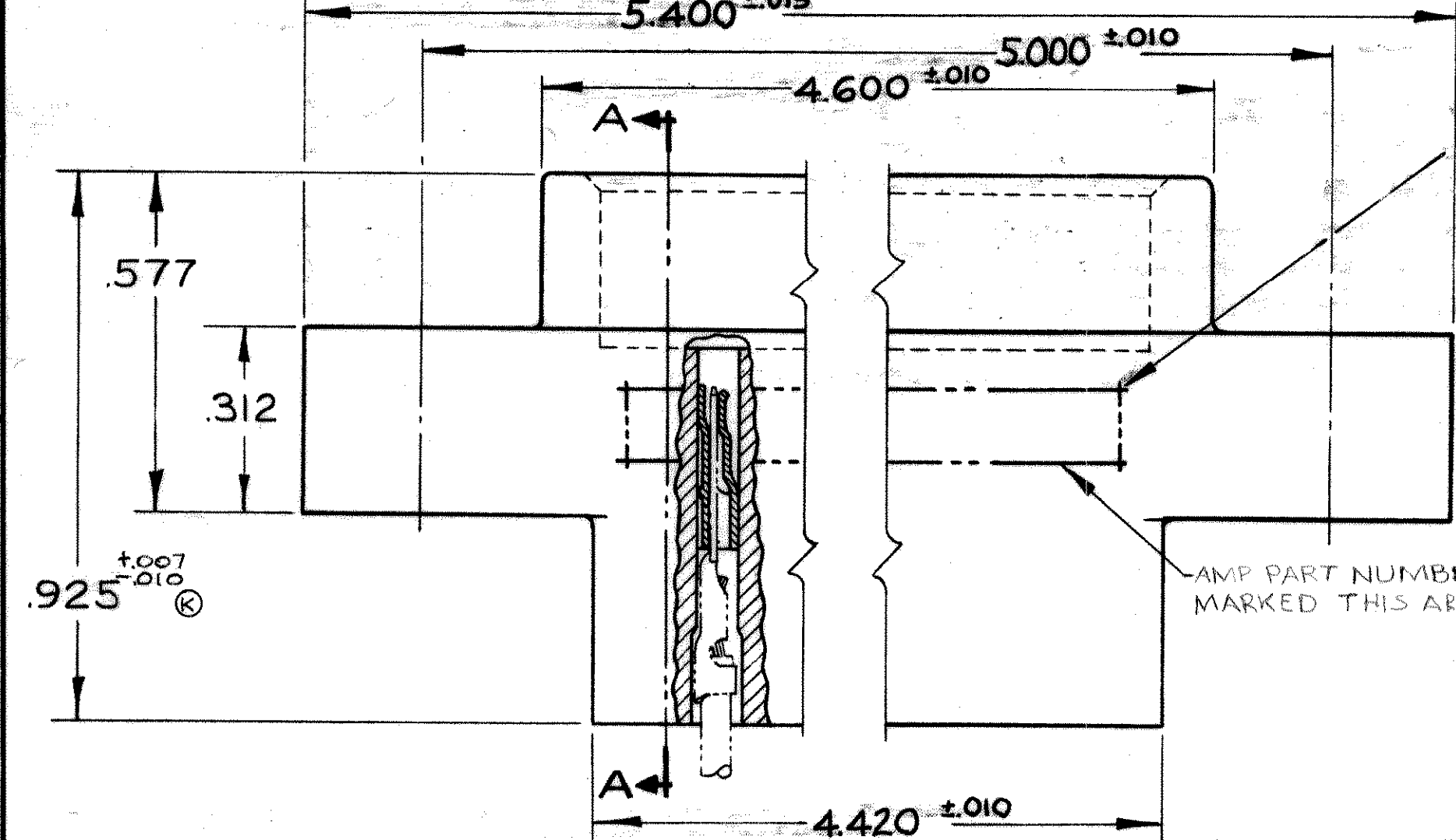


ALTERNATE MOUNTING EAR CONFIGURATION

CUSTOMER PART NO 10001-2531088 MARKED IN THIS APPROX. AREA ON SIDE 2 THRU 86 FOR -3 ONLY

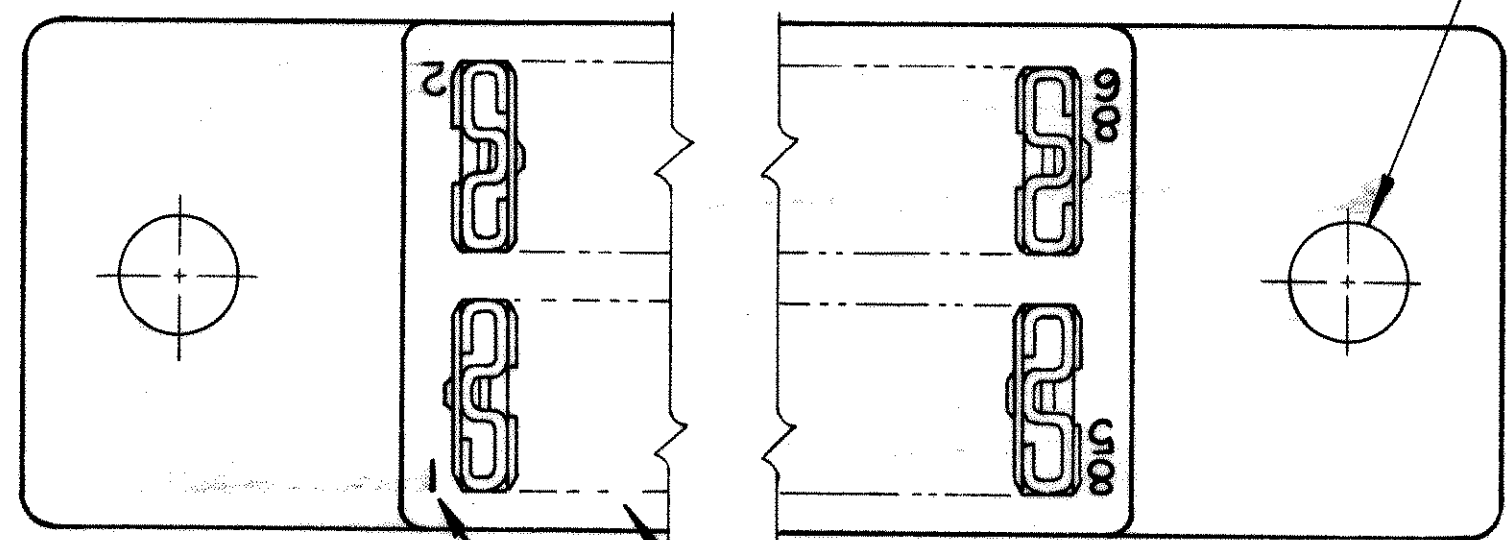


SECTION A-A



AMP PART NUMBER AND DATE CODE MARKED THIS AREA

±.003 (M) "J" DIA. HOLES



GROOVES FOR "ON CONTACT KEYING" AMP'S OPTION DEPENDING ON METHOD OF MANUFACTURE. FOR "ON CONTACT" KEYING USE KEYING PLUG P/N 583487-1. (MUST BE ORDERED SEPARATELY.)  
MOUNTING EAR CONFIGURATION AMP'S OPTION DEPENDS ON METHOD OF MANUFACTURE.

UNLESS OTHERWISE SPECIFIED DIMENSIONS ARE IN INCHES TOLERANCES ON		CONTRACT NO		AMP INCORPORATED HARRISBURG, PENNSYLVANIA	
FRACTIONS ±	DECIMALS ±.005	ANGLES ±	DR <i>J. Asink</i>	DATE 12-16-66	NAME
MATERIAL	SEE CALLOUT		CHK <i>Mark Warner</i>	DATE 12-28-66	43 POSITION AMP-TAB CONNECTOR .100 CENTERS QUAD
HEAT TREAT	SEE CALLOUT		DSGN ENGR	DATE	
FINISH	SEE CALLOUT		APPD <i>J. Kaufman</i>	DATE 1-10-67	
			DSGN APPD <i>R. Showman</i>	DATE 1/10/67	
			OTHER APPD		
SCALE 4-1	WT	CALC	ACTUAL	SHEET 1 OF 1	
SIZE C	CODE IDENT NO 00779	NUMBER 582593	REV V		

CIRCUIT CAVITY IDENTIFICATION MARKING PER MIL-C-21097 MARK FIRST 5 POSITIONS NEXT 5 POSITIONS PLAIN

3. LASER MARKING ACCEPTABLE FOR ALL MARKING

AMP INFO LOC PRINT/DIST DF FO

NUMBER CUS. 582593