



Chipsmall Limited consists of a professional team with an average of over 10 year of expertise in the distribution of electronic components. Based in Hongkong, we have already established firm and mutual-benefit business relationships with customers from,Europe,America and south Asia,supplying obsolete and hard-to-find components to meet their specific needs.

With the principle of “Quality Parts,Customers Priority,Honest Operation,and Considerate Service”,our business mainly focus on the distribution of electronic components. Line cards we deal with include Microchip,ALPS,ROHM,Xilinx,Pulse,ON,Everlight and Freescale. Main products comprise IC,Modules,Potentiometer,IC Socket,Relay,Connector.Our parts cover such applications as commercial,industrial, and automotives areas.

We are looking forward to setting up business relationship with you and hope to provide you with the best service and solution. Let us make a better world for our industry!



Contact us

Tel: +86-755-8981 8866 Fax: +86-755-8427 6832

Email & Skype: info@chipsmall.com Web: www.chipsmall.com

Address: A1208, Overseas Decoration Building, #122 Zhenhua RD., Futian, Shenzhen, China



© 1964 BY AMP INCORPORATED. ALL RIGHTS RESERVED. AMP PRODUCTS COVERED BY PATENTS AND/OR PATENTS PENDING. APPROVED PER GOVT CONTRACT NO.

LOCATION FOR AMP-TAB FEMALE CONTACT

LOCATION FOR KEYING PLUG 582501-1 (FOR INTER-CONTACT KEYING)

CIRCUIT CAVITY IDENTIFICATION PER MIL-C-21097B (582599-6 ONLY)

REVISIONS				
ZONE	LTR	DESCRIPTION	DATE	APPROVED
✓	AA	REVISED PER 0600-3683-95	TA	10-95 J. WARNER
	AB	ECO-08-020973	PY	11-08 JW
	AC	ECO-08-029243	PY	12-08 DE
	AD	ECO-10-023330	PY	2-11 DE

582599-6 AS SHOWN

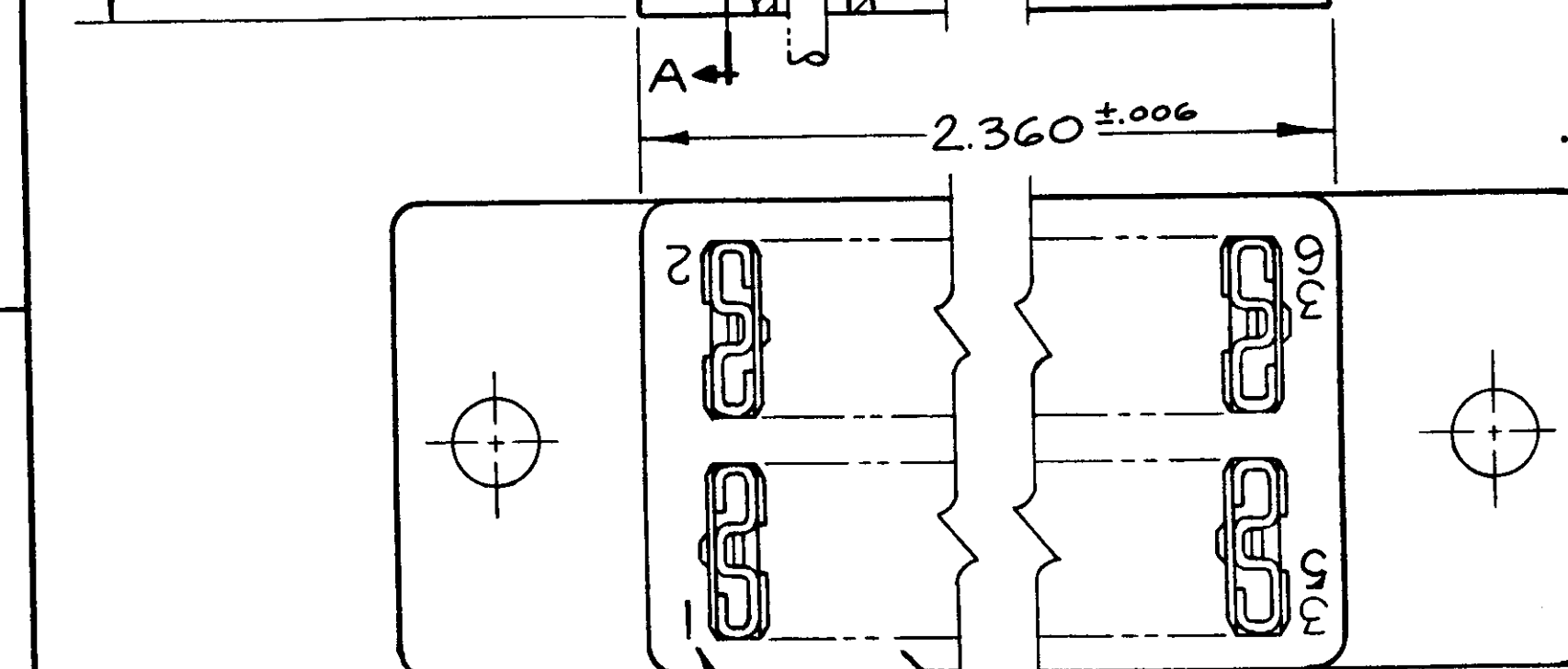
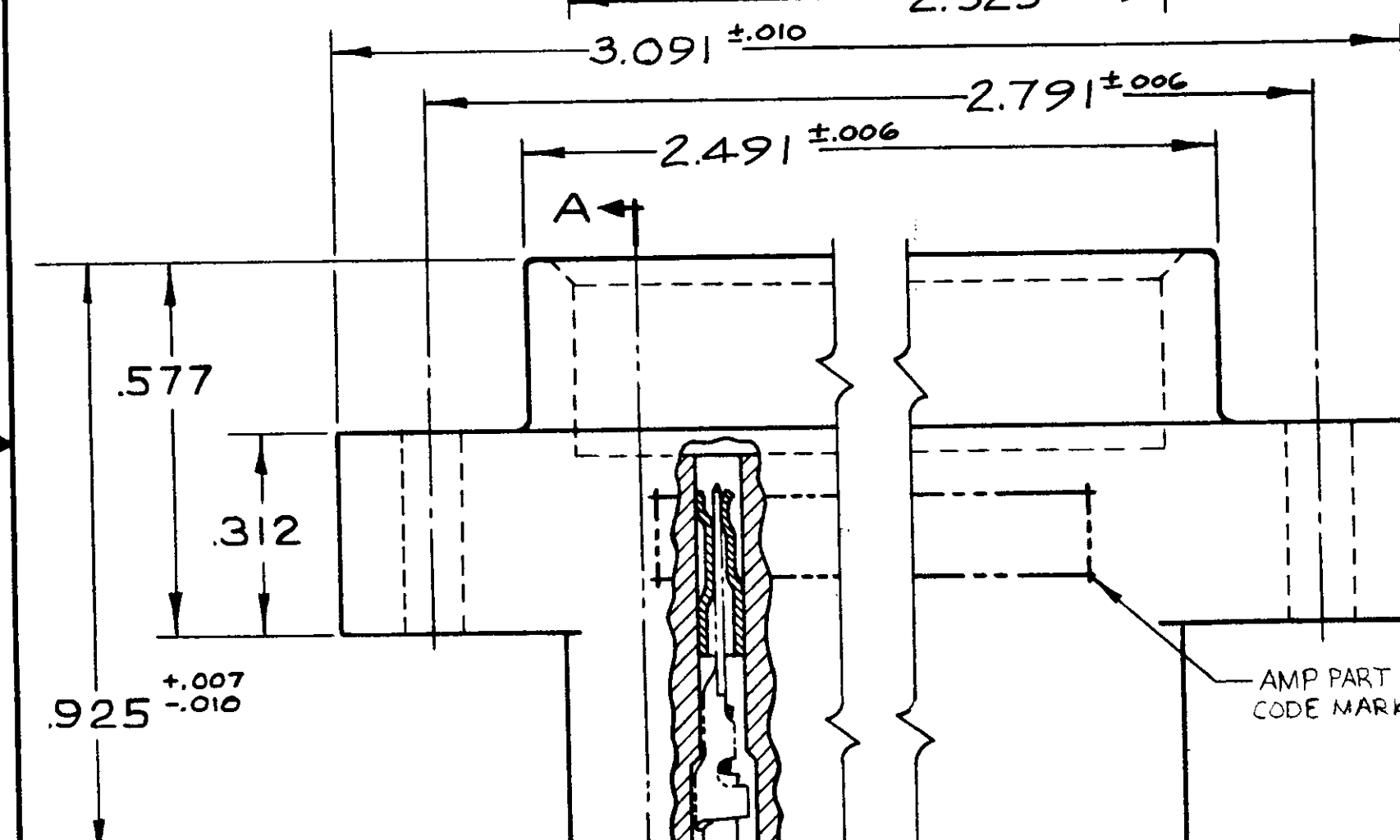
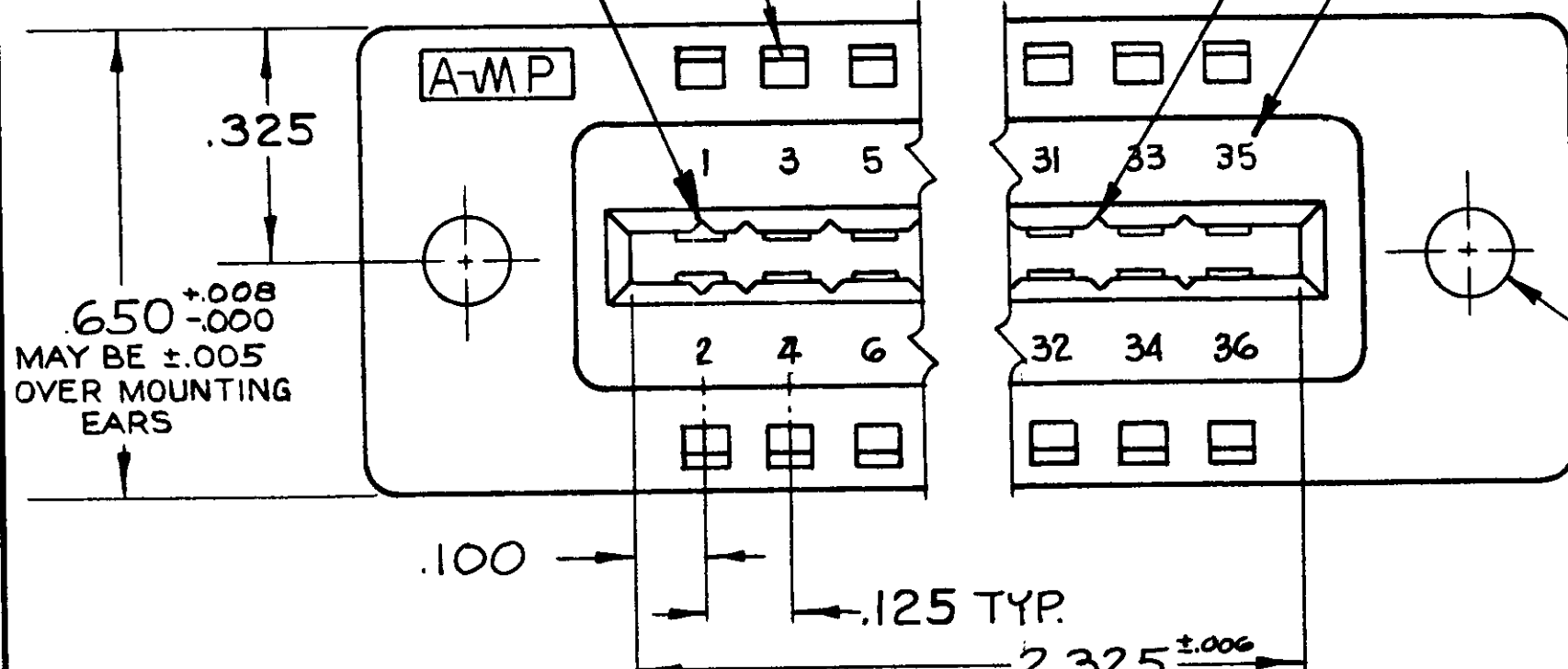
OBSOLETE ~~582599-1~~ AS SHOWN "J" DIA. HOLES = .128

OBSOLETE ~~582599-2~~ SAME AS -1 EXCEPT "J" DIA. HOLES = .150

OBSOLETE ~~582599-3~~ REFER TO DWG. 582599-3

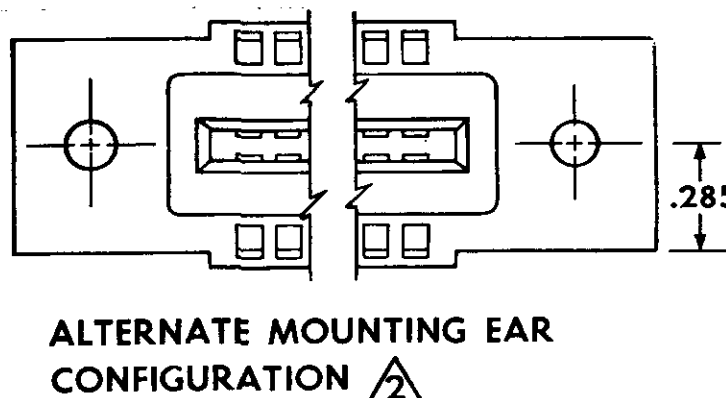
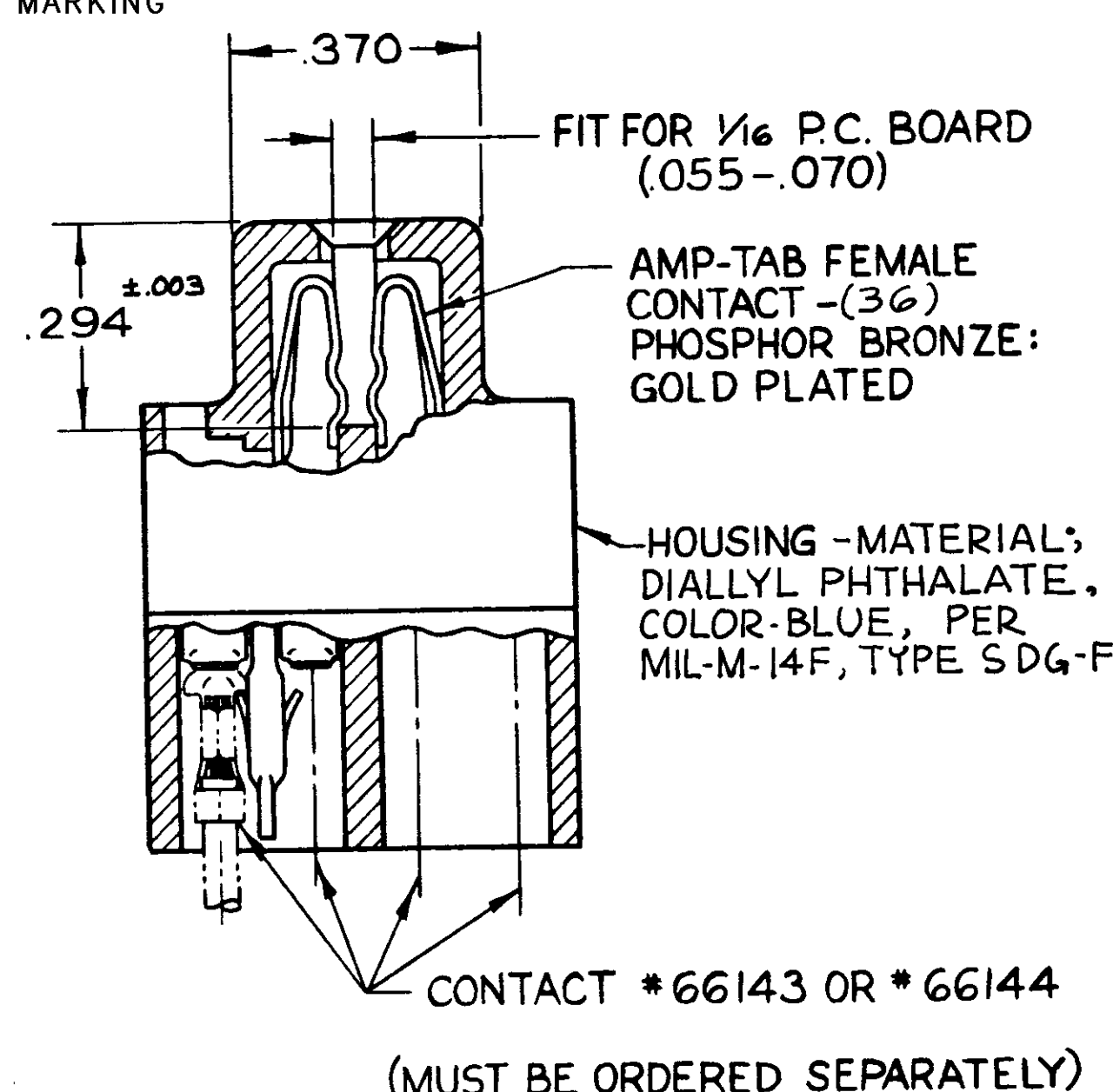
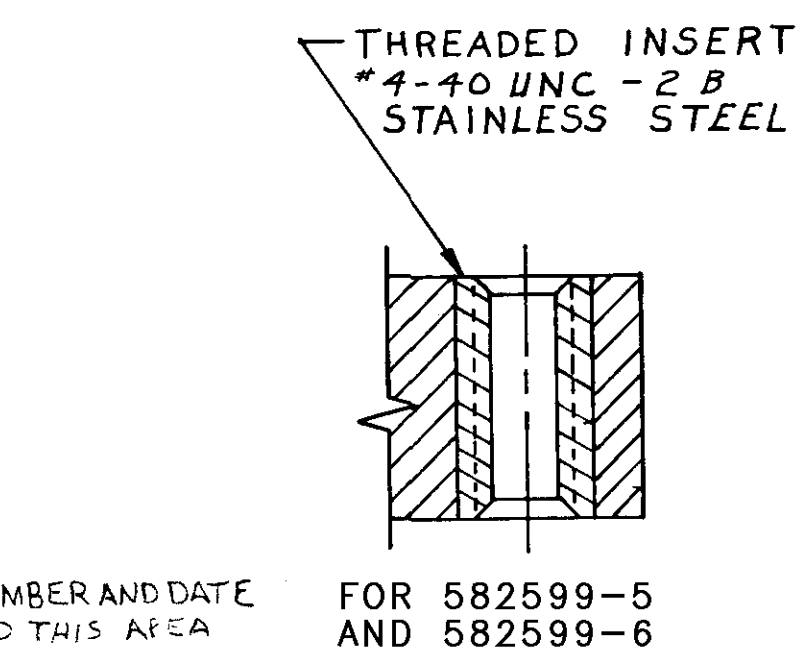
OBSOLETE 582599-4 1. SAME AS -2 EXCEPT; SPECIAL PART.
OBSOLETE ~~582599-5~~ 1. SAME AS -1 EXCEPT; MOLDED THREADED INSERT.

- ▲ GROOVES FOR "ON CONTACT KEYING" AMP'S OPTION DEPENDING ON METHOD OF MANUFACTURE; FOR "ON CONTACT" KEYING USE KEYING PLUG P/N 583487-1. (MUST BE ORDERED SEPARATELY.)
- ▲ MOUNTING EAR CONFIGURATION AMP'S OPTION DEPENDS ON METHOD OF MANUFACTURE.
- 3. LASER MARKING ACCEPTABLE FOR ALL MARKING



CIRCUIT CAVITY IDENTIFICATION MARKING PER MIL-C-21097B

MARK FIRST 5 POSITIONS, NEXT 5 POSITIONS PLAIN



UNLESS OTHERWISE SPECIFIED		CONTRACT NO.	
DIMENSIONS ARE IN INCHES		DR <i>J. Asch</i>	
FRACTIONS	TOLERANCES ON	DATE	4-27-67
±	DECIMALS	CHKD <i>S. Herda</i>	DATE 7/2/67
±	±.005	DSGN ENGR	DATE
SEE CALLOUT		APPD <i>S. Herda</i>	DATE 7/2/67
HEAT TREAT		DSGN APPD	OTHER APPD
SEE CALLOUT			

AMP TRADE MARK		AMP INCORPORATED HARRISBURG, PENNSYLVANIA	
NAME 18 POSITION AMP-TAB CONNECTOR .125 CENTERS QUAD			
SIZE	CODE IDENT NO	NUMBER	REV
C	00779	582599	AD
SCALE 4 -	WT	CALC	ACTUAL
			SHEET

CUSTOMER DRAWING

AMP INFO
LOC PRINT
DF FO

NUMBER C.U.S. 582599