



Chipsmall Limited consists of a professional team with an average of over 10 year of expertise in the distribution of electronic components. Based in Hongkong, we have already established firm and mutual-benefit business relationships with customers from,Europe,America and south Asia,supplying obsolete and hard-to-find components to meet their specific needs.

With the principle of "Quality Parts,Customers Priority,Honest Operation,and Considerate Service",our business mainly focus on the distribution of electronic components. Line cards we deal with include Microchip,ALPS,ROHM,Xilinx,Pulse,ON,Everlight and Freescale. Main products comprise IC,Modules,Potentiometer,IC Socket,Relay,Connector.Our parts cover such applications as commercial,industrial, and automotives areas.

We are looking forward to setting up business relationship with you and hope to provide you with the best service and solution. Let us make a better world for our industry!



Contact us

Tel: +86-755-8981 8866 Fax: +86-755-8427 6832

Email & Skype: info@chipsmall.com Web: www.chipsmall.com

Address: A1208, Overseas Decoration Building, #122 Zhenhua RD., Futian, Shenzhen, China

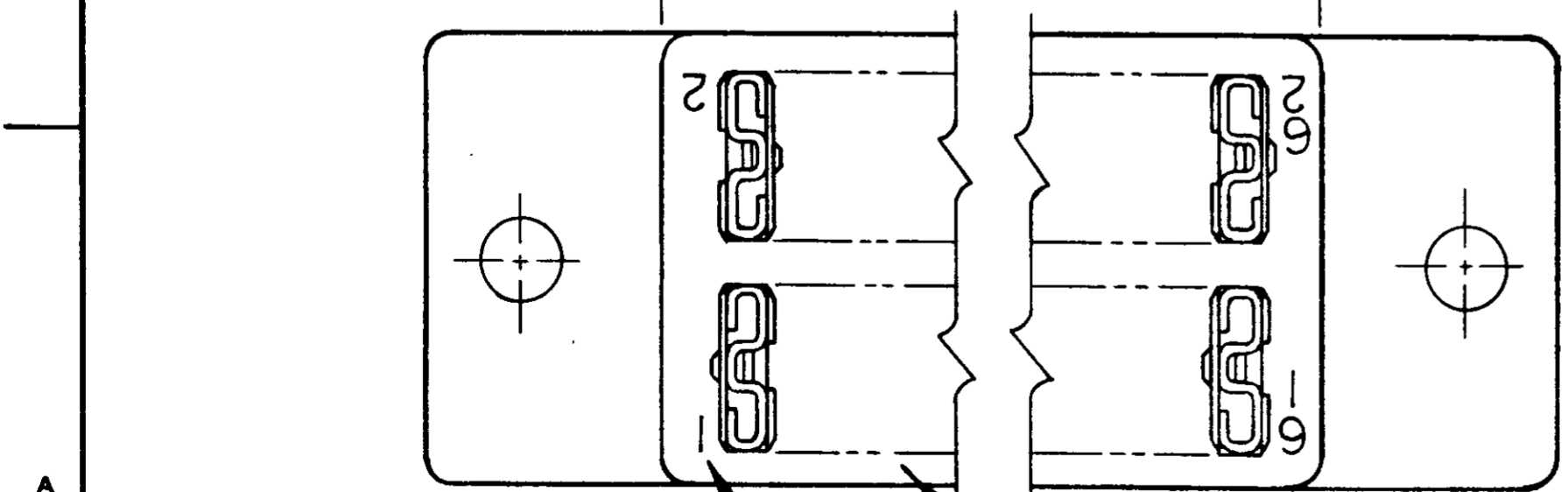
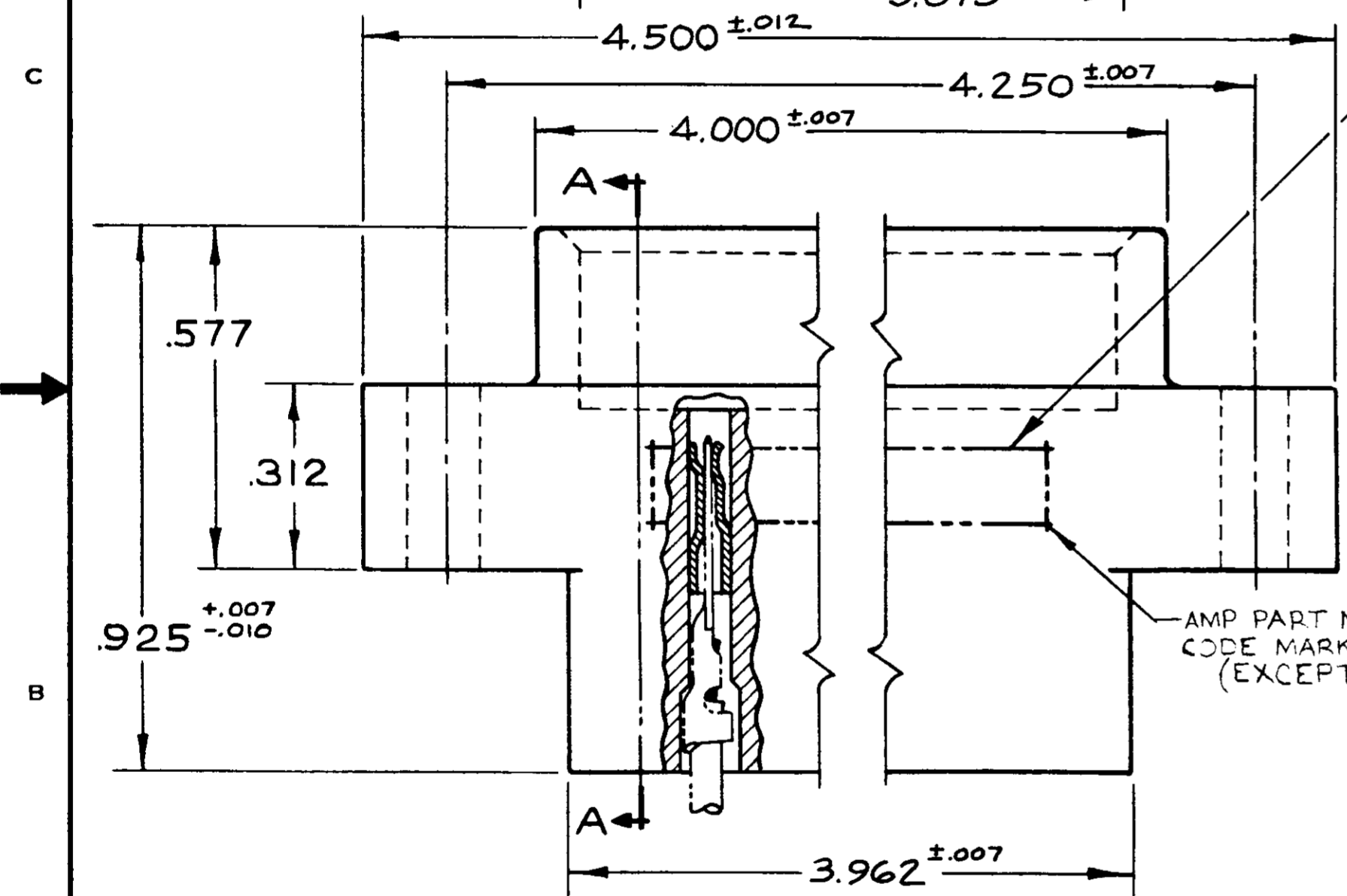
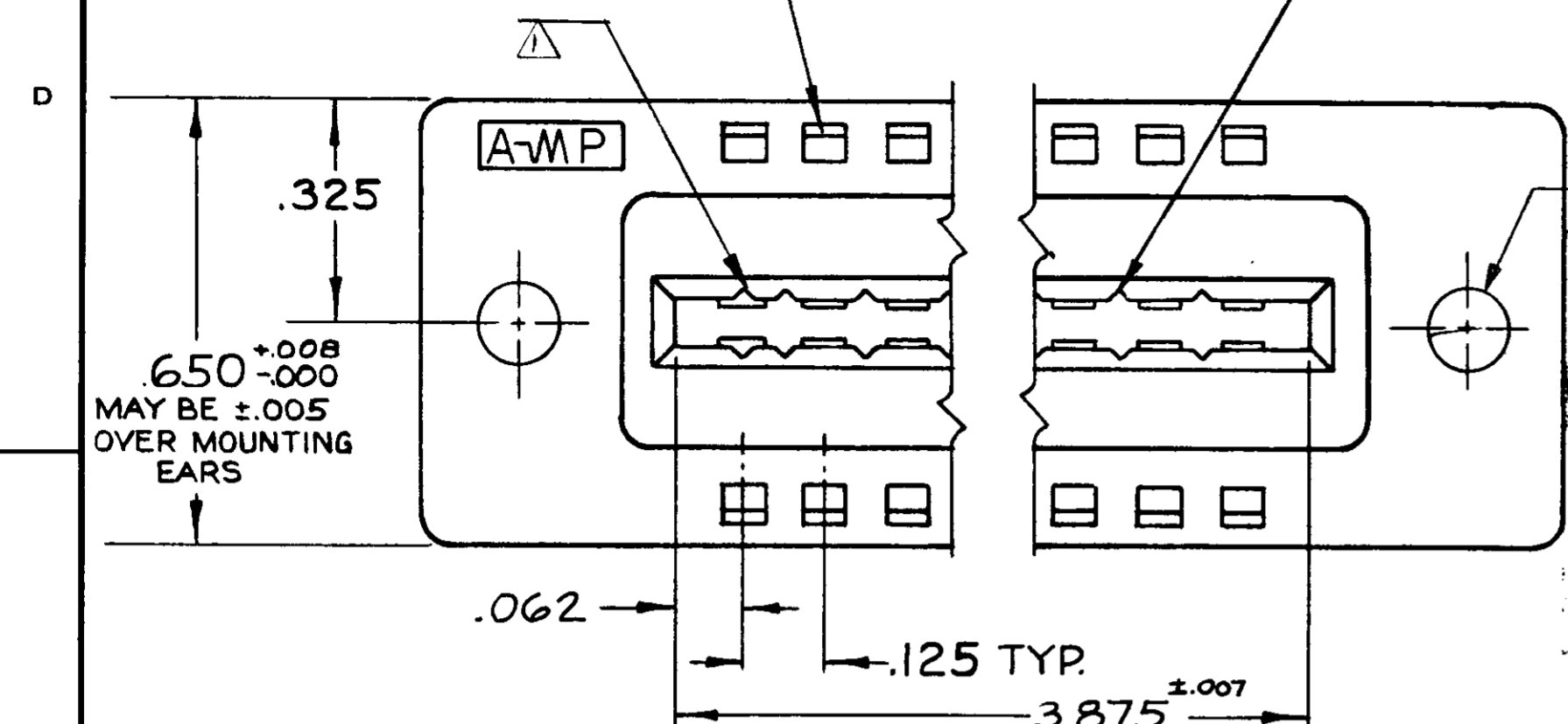


© 1962 BY AMP INCORPORATED. ALL RIGHTS RESERVED. AMP PRODUCTS COVERED BY PATENTS AND/OR PATENTS PENDING. APPROVED PER GOVT CONTRACT NO.

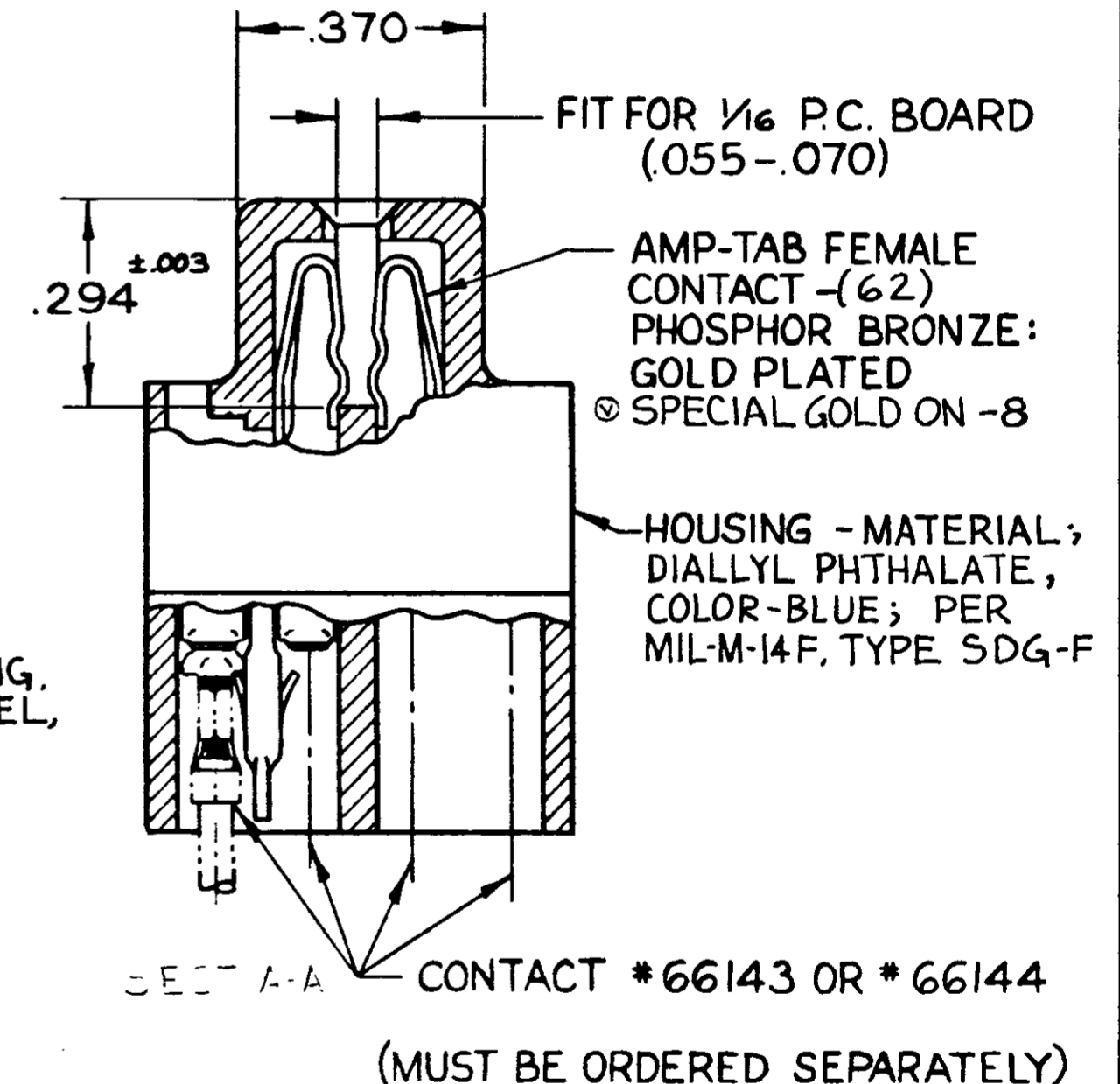
LOCATION FOR AMP-TAB FEMALE CONTACT

LOCATION FOR KEYING PLUG 582501-1 (FOR INTER-CONTACT KEYING)

REVISIONS				
ZONE	LTR	DESCRIPTION	DATE	APPROVED
✓	AA	REVISED PER 0600-3683-95 TA	10-95	J. WARNER
	AB	ECO-08-0220973	PY	11-08 JW



- 582603-1 1. AS SHOWN. "J" DIA HOLES = .128
- ~~582603-2~~ 1. SAME AS -1 EXCEPT; 2. "J" DIA. HOLES = .150
- ~~582603-3~~ 1. REFER TO DWG. NO. 582603-3.
- ~~582603-4~~ 1. SAME AS -1 EXCEPT; 2. CUSTOMER PART NO STAMPED ON BLOCK IN PLACE OF AMP PART NO.
- 582603-5 1. SAME AS -1 EXCEPT; SPECIAL PART.
- 582603-6 1. REFER TO DWG. NO 582603-6.
- ~~582603-7~~ 1. SAME AS -1 EXCEPT; 2. WITH FLOATING BUSHING (SEE DETAIL).
- 582603-8 1. SAME AS -2 EXCEPT; 2. FEMALE CONTACT WITH SPECIAL GOLD PLATING.



▲ GROOVES FOR "ON CONTACT KEYING" AMP'S OPTION DEPENDING ON METHOD OF MANUFACTURE FOR "ON CONTACT" KEYING USE KEYING PLUG P/N 583487-1. (MUST BE ORDERED SEPARATELY.)

▲ MOUNTING EAR CONFIGURATION AMP'S OPTION DEPENDS ON METHOD OF MANUFACTURE.

UNLESS OTHERWISE SPECIFIED DIMENSIONS ARE IN INCHES TOLERANCES ON FRACTIONS DECIMALS ANGLES		CONTRACT NO		AMP INCORPORATED HARRISBURG, PENNSYLVANIA	
±	±.005	DR	DATE	AMP TRADEMARK	
SEE CALLOUT		CHK	DATE	31 POSITION AMP-TAB CONNECTOR .125 CENTERS QUAD	
HEAT TREAT		DSGN ENGR	DATE	SIZE	CODE IDENT NO
FINISH		APPD	DATE	C	00779
SEE CALLOUT		DSGN APPD	DATE	NUMBER	582603
		OTHER APPD	DATE	REV	AB
		SCALE 4 -		CALC	ACTUAL
				SHEET	

AMP INFO
LOC PRINT BY
DF FO