



Chipsmall Limited consists of a professional team with an average of over 10 year of expertise in the distribution of electronic components. Based in Hongkong, we have already established firm and mutual-benefit business relationships with customers from,Europe,America and south Asia,supplying obsolete and hard-to-find components to meet their specific needs.

With the principle of “Quality Parts,Customers Priority,Honest Operation,and Considerate Service”,our business mainly focus on the distribution of electronic components. Line cards we deal with include Microchip,ALPS,ROHM,Xilinx,Pulse,ON,Everlight and Freescale. Main products comprise IC,Modules,Potentiometer,IC Socket,Relay,Connector.Our parts cover such applications as commercial,industrial, and automotives areas.

We are looking forward to setting up business relationship with you and hope to provide you with the best service and solution. Let us make a better world for our industry!



Contact us

Tel: +86-755-8981 8866 Fax: +86-755-8427 6832

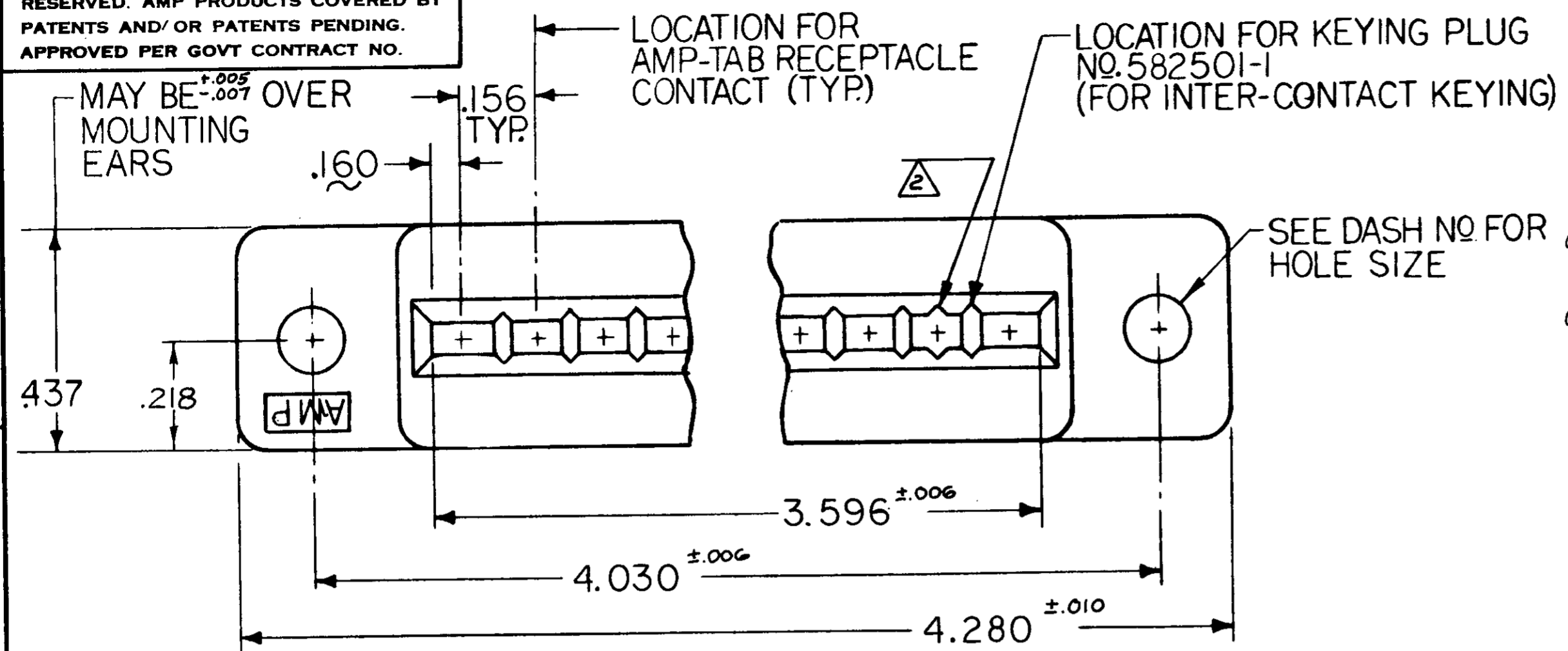
Email & Skype: info@chipsmall.com Web: www.chipsmall.com

Address: A1208, Overseas Decoration Building, #122 Zhenhua RD., Futian, Shenzhen, China

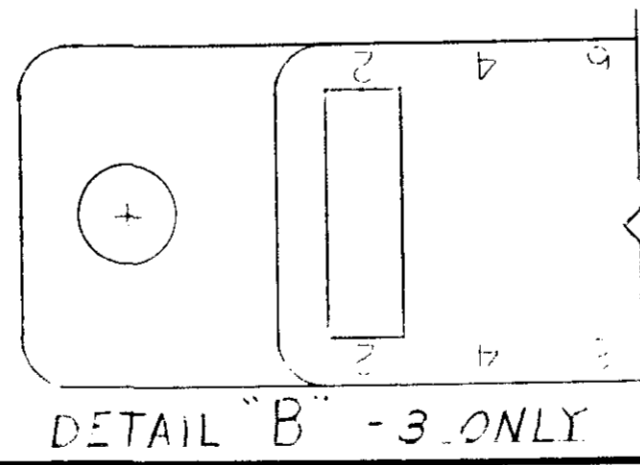
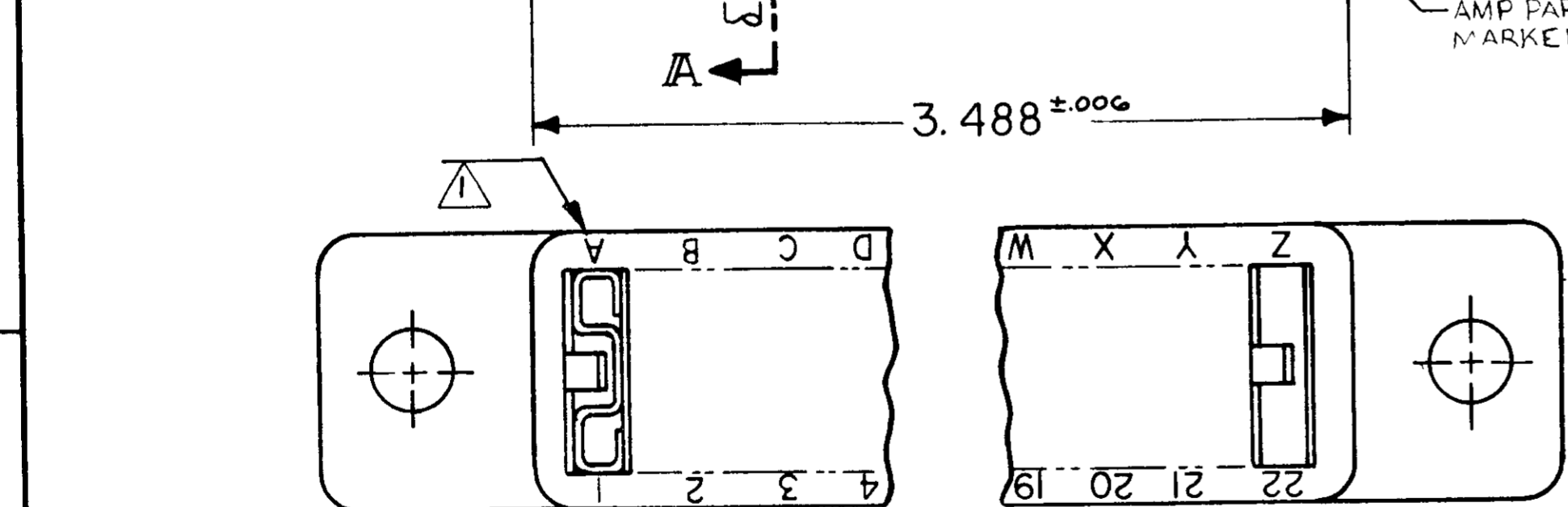
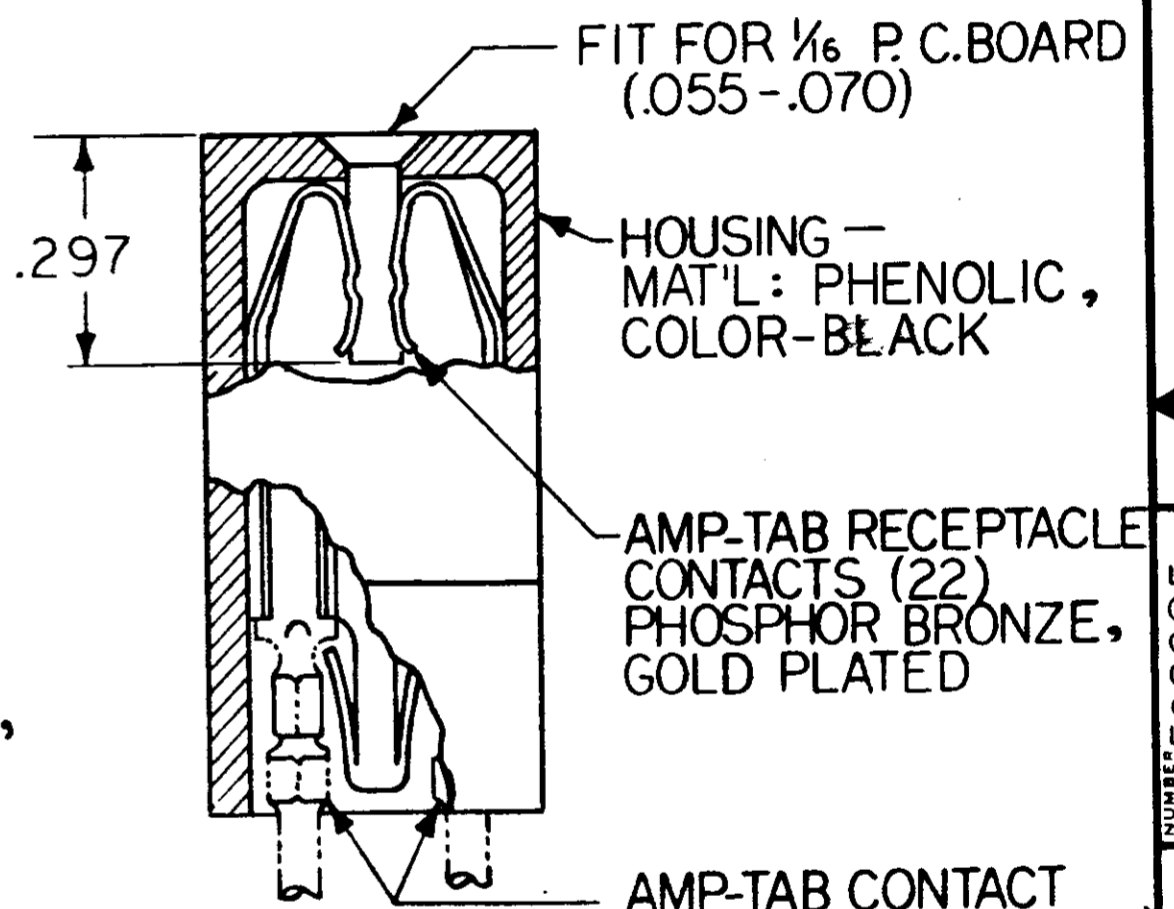
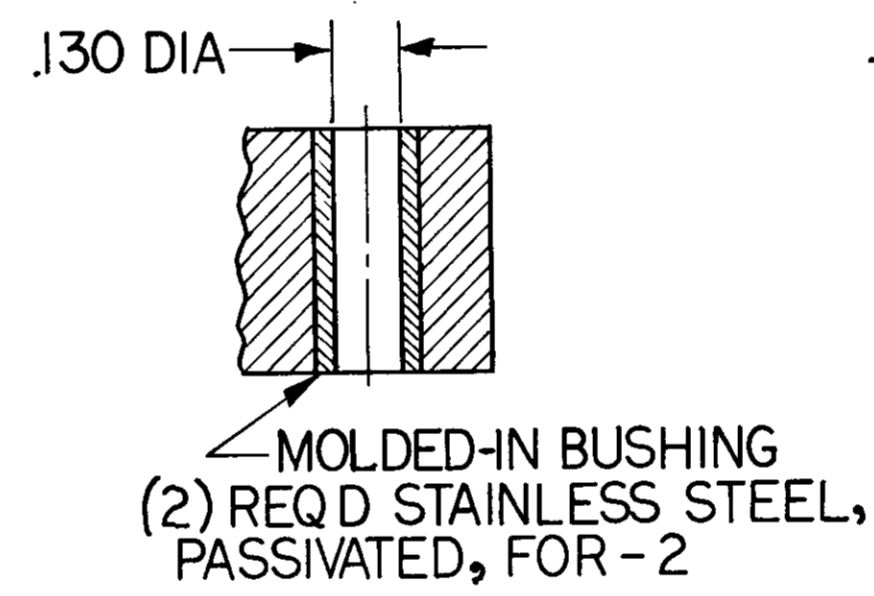
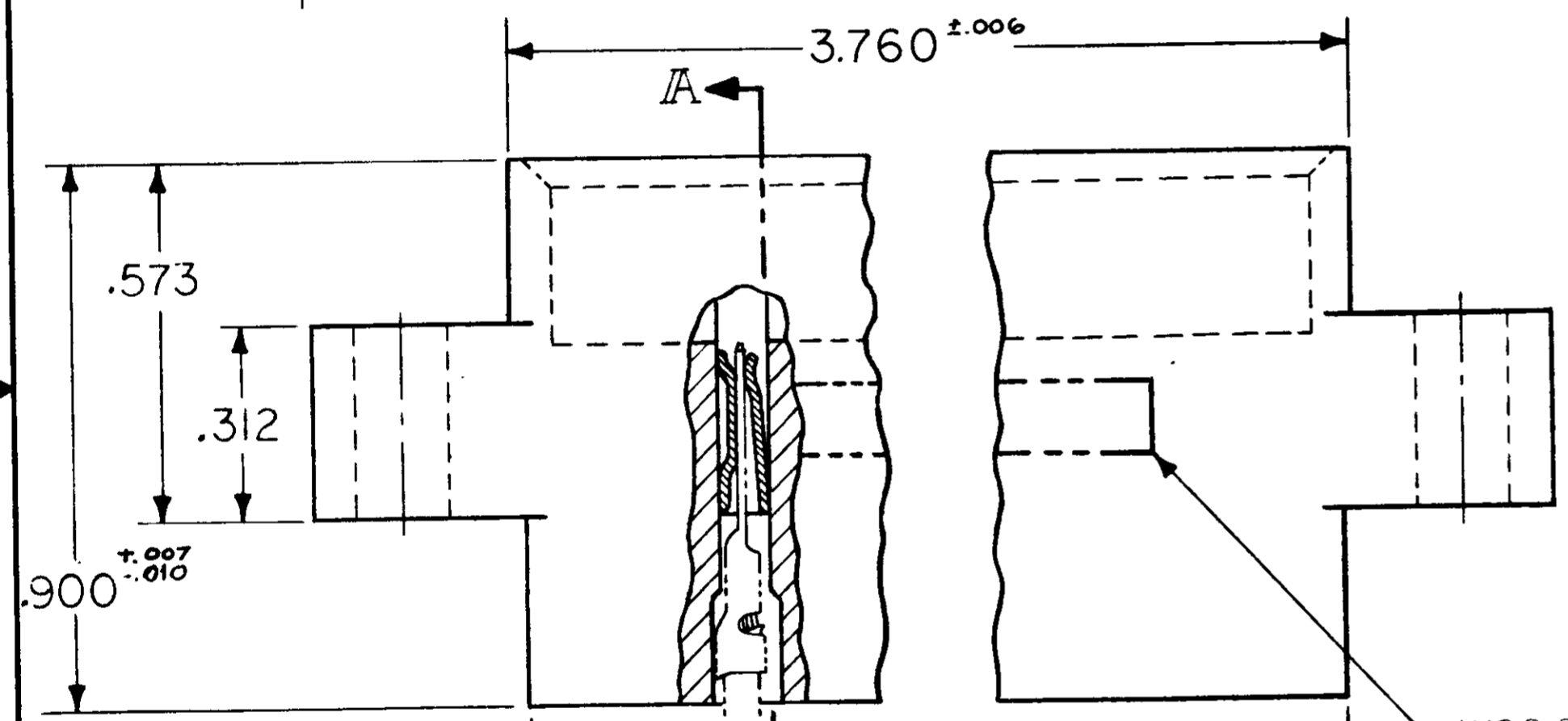


© 1963 BY AMP INCORPORATED. ALL RIGHTS RESERVED. AMP PRODUCTS COVERED BY PATENTS AND/OR PATENTS PENDING. APPROVED PER GOVT CONTRACT NO.

REVISIONS				
ZONE	LTR	DESCRIPTION	DATE	APPROVED
✓	M	REV. SEC PER DG00-3683-95	TA	10-95 J.WARNER
	N	ECO-08-020973	PY	11-08 JW



582695-1 I. AS SHOWN WITH .128 DIA. MOUNTING HOLES.
~~582695-2 I. SAME AS -1 EXCEPT, WITH MOLDED-IN BUSHING (SEE DETAIL)~~
~~582695-3 I. SAME AS -1 EXCEPT CAVITY IDENTIFICATION TO BE ALL NUMERIC USING ONLY EVEN NUMBERS. (SEE DETAIL "B")~~



UNLESS OTHERWISE SPECIFIED DIMENSIONS ARE IN INCHES TOLERANCES ON		CONTRACT NO.		AMP INCORPORATED HARRISBURG, PENNSYLVANIA	
FRACTIONS	DECIMALS	ANGLES	DR	DATE	NAME
±	±.005	±	J. Asich		TRADE MARK
MATERIAL	SEE CALLOUT	HEAT TREAT	CHK	DATE	AMP INCORPORATED
FINISH	SEE CALLOUT	OTHER APPD	S.S. Heide		HARRISBURG, PENNSYLVANIA
			DSGN ENGR	DATE	CONNECTOR, AMP-TAB, DUAL, 22 POS., .156 CTRS.
			APPD	DATE	
			DSGN APPD	DATE	
SIZE	CODE IDENT NO	NUMBER	REV		
C	00779	582695	N		
SCALE	4 - 1	WT	CALC	ACTUAL	SHEET

NOTE:
 1. UPPER CASE LETTERS, LETTERS G, I, O, & Q OMITTED. CIRCUIT CAVITY IDENTIFICATION MARKS PER MIL-C-21007.
 2. GROOVES FOR "ON CONTACT KEYING" AMP'S OPTION DEPENDING ON METHOD OF MANUFACTURE. FOR "ON CONTACT KEYING" USE KEYING PLUG P/N. 583487-1 (MUST BE ORDERED SEPARATELY.)
 3. LASER MARKING ACCEPTABLE FOR ALL MARKING

AMP INFO
 LOC PRINT
 DF FO

NUMBER CUS. 582695