



Chipsmall Limited consists of a professional team with an average of over 10 year of expertise in the distribution of electronic components. Based in Hongkong, we have already established firm and mutual-benefit business relationships with customers from,Europe,America and south Asia,supplying obsolete and hard-to-find components to meet their specific needs.

With the principle of “Quality Parts,Customers Priority,Honest Operation,and Considerate Service”,our business mainly focus on the distribution of electronic components. Line cards we deal with include Microchip,ALPS,ROHM,Xilinx,Pulse,ON,Everlight and Freescale. Main products comprise IC,Modules,Potentiometer,IC Socket,Relay,Connector.Our parts cover such applications as commercial,industrial, and automotives areas.

We are looking forward to setting up business relationship with you and hope to provide you with the best service and solution. Let us make a better world for our industry!



Contact us

Tel: +86-755-8981 8866 Fax: +86-755-8427 6832

Email & Skype: info@chipsmall.com Web: www.chipsmall.com

Address: A1208, Overseas Decoration Building, #122 Zhenhua RD., Futian, Shenzhen, China

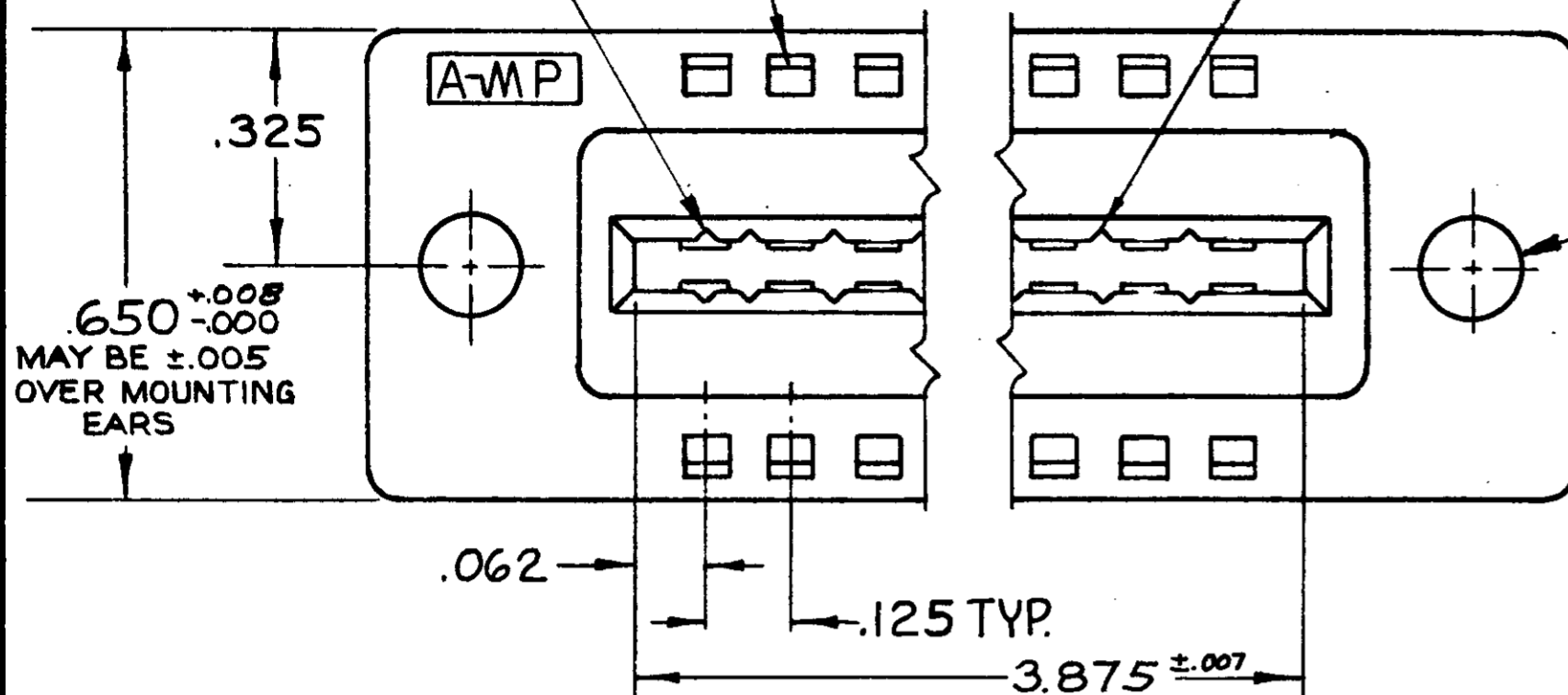


© 1964 BY AMP INCORPORATED. ALL RIGHTS RESERVED. AMP PRODUCTS COVERED BY PATENTS AND/OR PATENTS PENDING. APPROVED PER GOVT CONTRACT NO.

LOCATION FOR AMP-TAB FEMALE CONTACT

LOCATION FOR KEYING PLUG 582501-1 (FOR INTER-CONTACT KEYING)

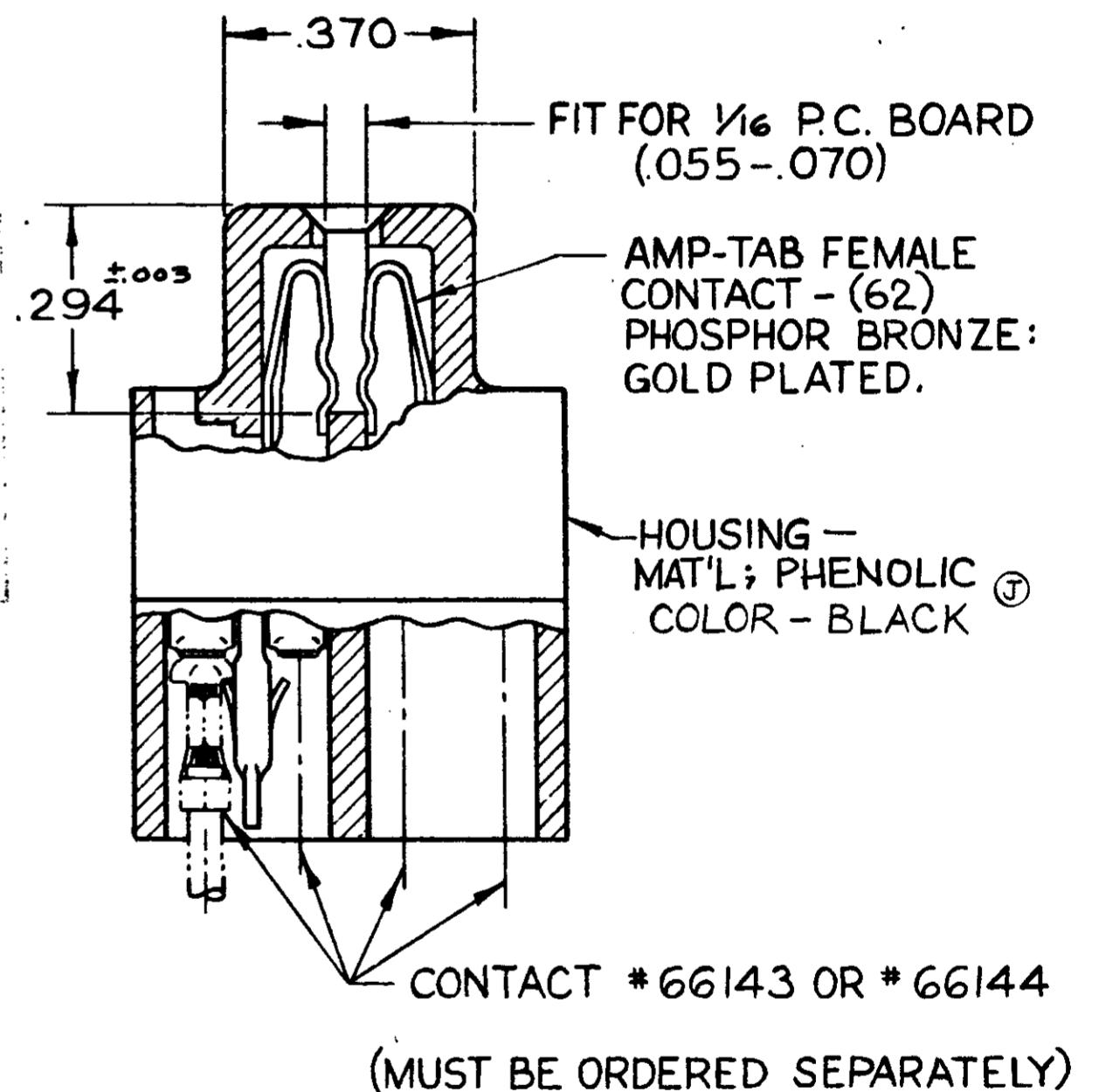
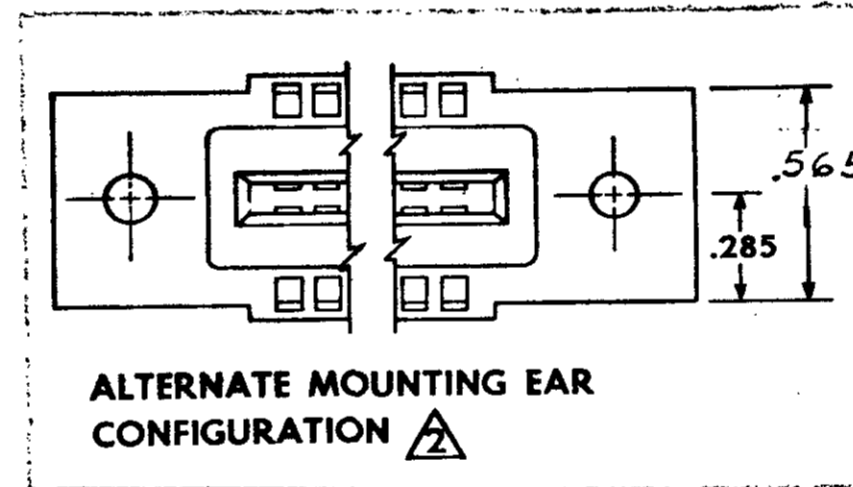
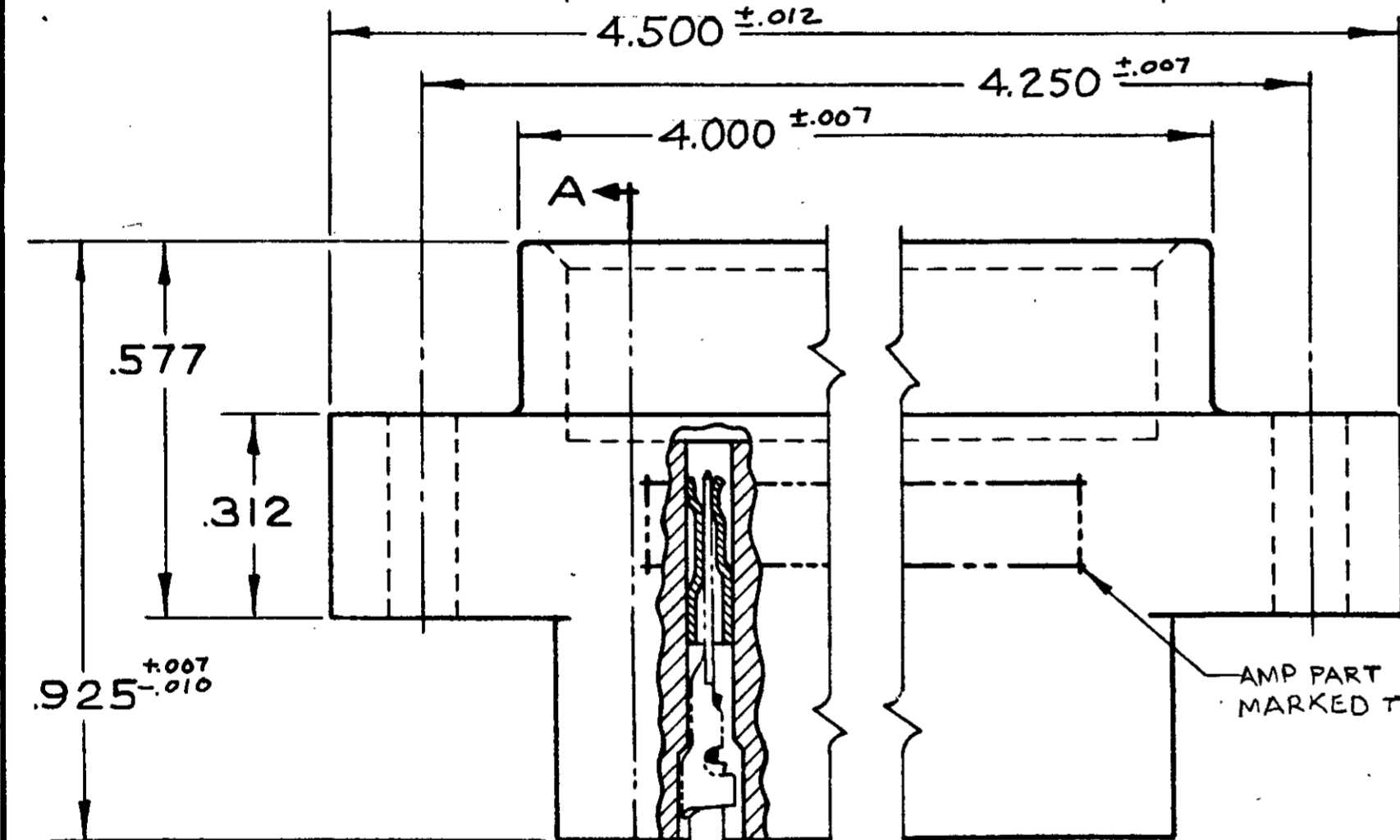
REVISIONS				
ZONE	LTR	DESCRIPTION	DATE	APPROVED
	N	ECO-08-020973	PY 11-08	JW



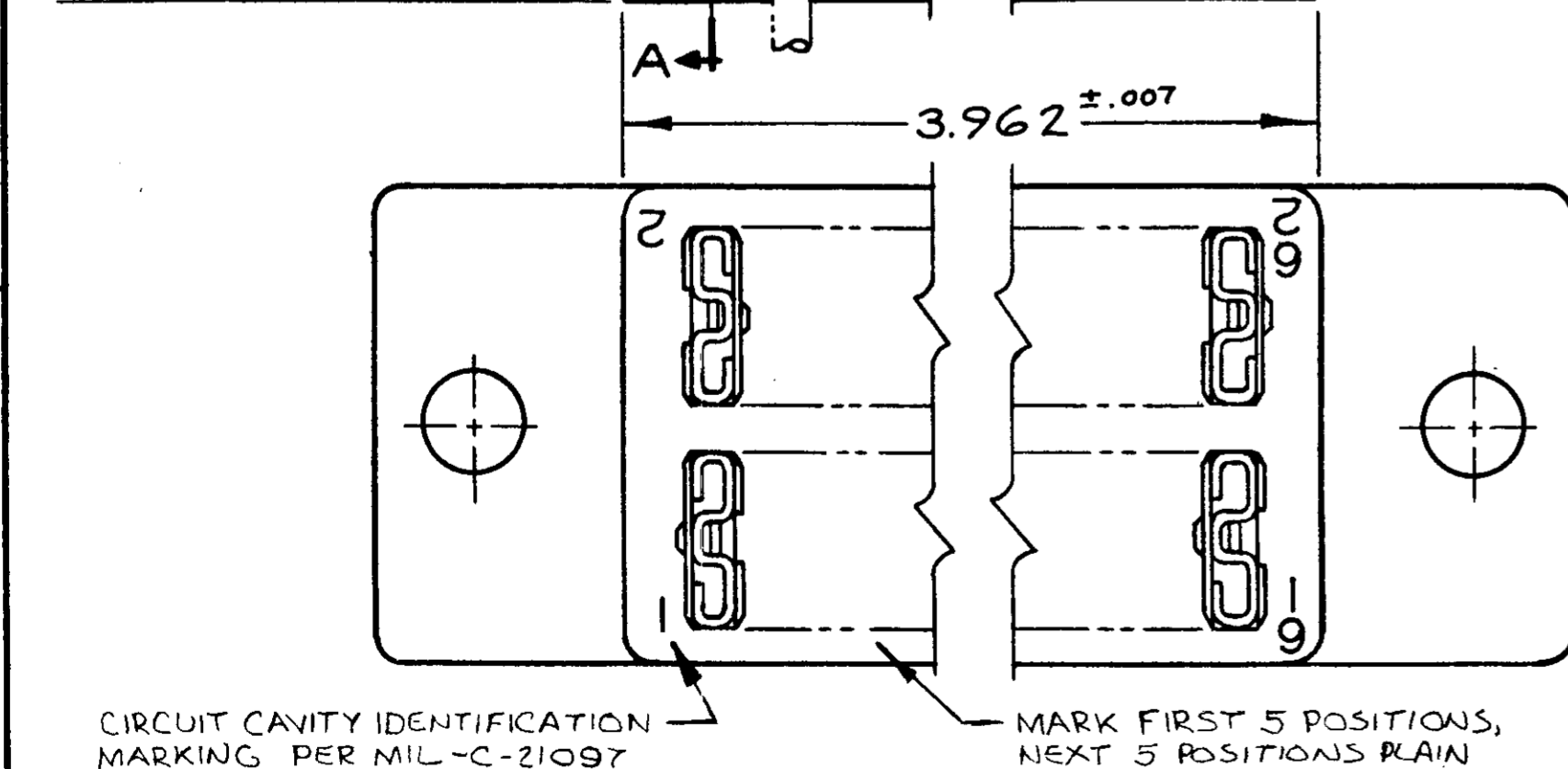
582722-1 I. AS SHOWN.

~~582722-2 SEE SHEET 2~~ **OBSOLETE**

- ▲ GROOVES FOR "ON CONTACT KEYING" AMP'S OPTION DEPENDING ON METHOD OF MANUFACTURE. FOR "ON CONTACT" KEYING USE KEYING PLUG P/N 583487-1. (MUST BE ORDERED SEPARATELY.)
- ▲ MOUNTING EAR CONFIGURATION AMP'S OPTION DEPENDS ON METHOD OF MANUFACTURE.
- 3. LASER MARKING ACCEPTABLE FOR ALL MARKING



SECTION A-A



UNLESS OTHERWISE SPECIFIED		CONTRACT NO.		AMP INCORPORATED HARRISBURG, PENNSYLVANIA	
DIMENSIONS ARE IN INCHES				AMP TRADE MARK	
FRACTIONS	DECIMALS	DR	DATE	NAME	
±	±.005	J. Asich	5-13-67	31 POSITION	
		CHK S.S. Heide	3/21/67	AMP-TAB CONNECTOR	
		DSGN ENGR		.125 CENTERS QUAD	
		APPD J. Kaufman	3/23/67		
		R. Shuman	2/28/67		
		DSGN APPD		SIZE C	CODE IDENT NO 00779
		OTHER APPD			NUMBER 582722
					REV N
				SCALE 4-1	
				WT	CALC
				ACTUAL	SHEET

CUSTOMER DRAWING

AMP INFO	
LOC	PRINT DIST
DF	FO