



Chipsmall Limited consists of a professional team with an average of over 10 year of expertise in the distribution of electronic components. Based in Hongkong, we have already established firm and mutual-benefit business relationships with customers from,Europe,America and south Asia,supplying obsolete and hard-to-find components to meet their specific needs.

With the principle of “Quality Parts,Customers Priority,Honest Operation,and Considerate Service”,our business mainly focus on the distribution of electronic components. Line cards we deal with include Microchip,ALPS,ROHM,Xilinx,Pulse,ON,Everlight and Freescale. Main products comprise IC,Modules,Potentiometer,IC Socket,Relay,Connector.Our parts cover such applications as commercial,industrial, and automotives areas.

We are looking forward to setting up business relationship with you and hope to provide you with the best service and solution. Let us make a better world for our industry!



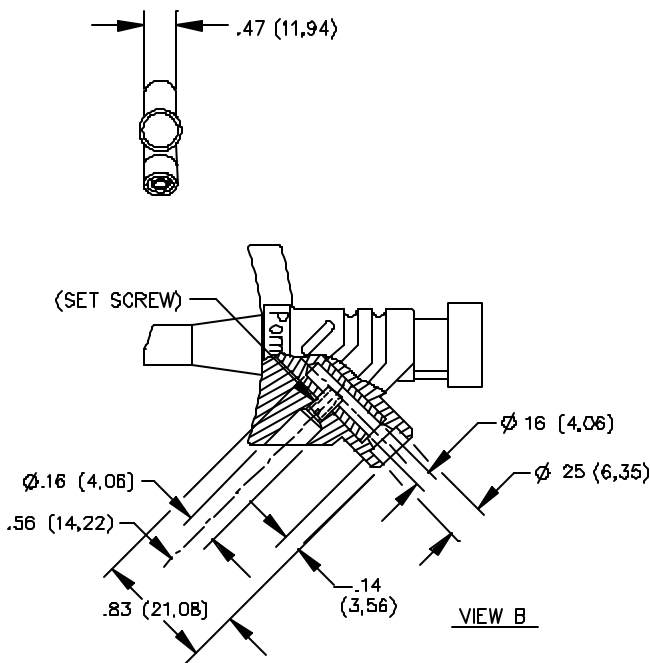
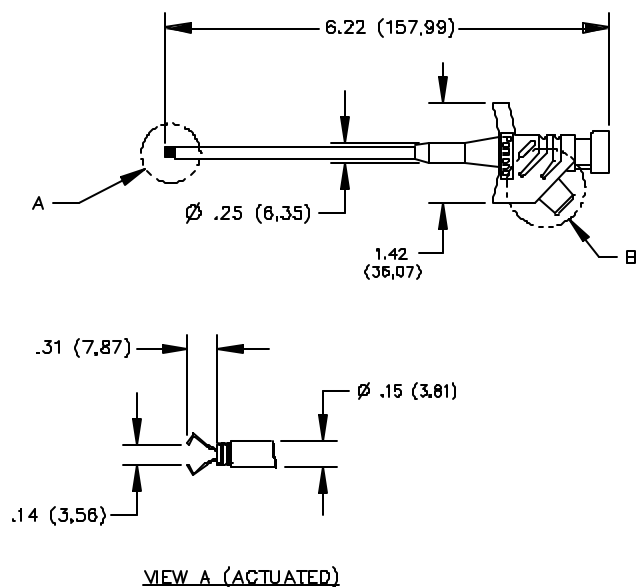
Contact us

Tel: +86-755-8981 8866 Fax: +86-755-8427 6832

Email & Skype: info@chipsmall.com Web: www.chipsmall.com

Address: A1208, Overseas Decoration Building, #122 Zhenhua RD., Futian, Shenzhen, China





FEATURES:

- Mates to Model #1440, 4702 and most standard banana plugs.
- Use set screw to build custom cable with Pomona “Do It Yourself” products.
- Accepts 18 to 22 AWG wire (for custom cable).
- This flexible clip has a rotating pincer type contact to make access easier.
- Standard banana jack and screw for direct wire termination.

MATERIALS:

Wire: Steel.

Insulation: Thermoplastic (handle and knob)

Color: Black (heat shrink tube)

RATINGS:

Environmental:

Operating Temperature: +80°C. (+176°F.) Max.

Electrical:

Operating Voltage: 300 VRMS/DC

Current: 5 Amperes

Mechanical:

Grip: Up to Ø .157 (4.0).

ORDERING INFORMATION: Model 5830-*

*= Color, -0 Black, -2 Red

Ordering Example: 5830-2 Color is Red

All dimensions are in inches. Tolerances (except noted): .xx = ±.02" (.51 mm), .xxx = ± .005" (.127 mm).

All specifications are to the latest revisions. Specifications are subject to change without notice.

Registered trademarks are the property of their respective companies. Made in USA