



Chipsmall Limited consists of a professional team with an average of over 10 year of expertise in the distribution of electronic components. Based in Hongkong, we have already established firm and mutual-benefit business relationships with customers from,Europe,America and south Asia,supplying obsolete and hard-to-find components to meet their specific needs.

With the principle of “Quality Parts,Customers Priority,Honest Operation,and Considerate Service”,our business mainly focus on the distribution of electronic components. Line cards we deal with include Microchip,ALPS,ROHM,Xilinx,Pulse,ON,Everlight and Freescale. Main products comprise IC,Modules,Potentiometer,IC Socket,Relay,Connector.Our parts cover such applications as commercial,industrial, and automotives areas.

We are looking forward to setting up business relationship with you and hope to provide you with the best service and solution. Let us make a better world for our industry!



Contact us

Tel: +86-755-8981 8866 Fax: +86-755-8427 6832

Email & Skype: info@chipsmall.com Web: www.chipsmall.com

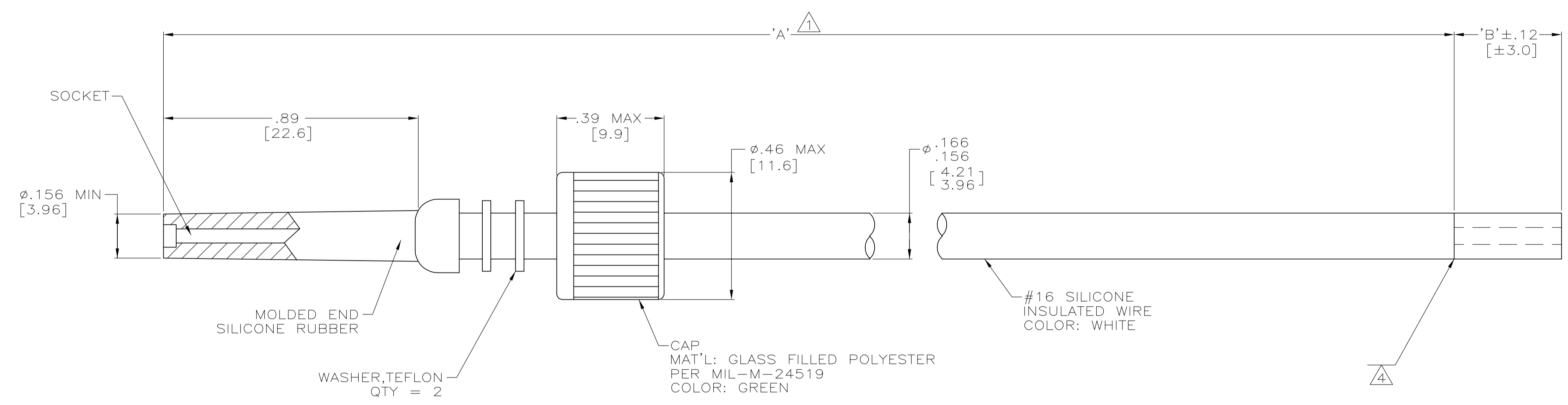
Address: A1208, Overseas Decoration Building, #122 Zhenhua RD., Futian, Shenzhen, China



LOC		DIST		REVISIONS			
DF	X5	REV	DATE	BY	APP'D	DATE	BY
A		1	06-05	AA	DE		

PART NO.	'A'	'B'
5830613-1	24.00 [609.6]	.25 [6.4]
5830613-2	12.00 [304.8]	.25 [6.4]
5830613-5	10.00 [254.0]	.38 [9.7]
5830613-6	20.00 [508.0]	.38 [9.7]
5830613-7	36.00 [914.4]	.38 [9.7]
1-5830613-2	18.00 [457.2]	.38 [9.7]
1-5830613-4	48.00 [1219.2]	.38 [9.7]
2-5830613-2	14.00 [355.6]	.38 [9.7]
5-5830611-2	39.00 [990.6]	.38 [9.7]

1. TOLERANCE OF LEAD LENGTH:
 UP TO 24 INCHES [609.6] = ±.12 [±3.0]
 24 INCHES [609.6] & UP = ±1%
2. MARKED PER MIL-STD-130.
3. TO MATE WITH AMP LGH-1/2
 RECEPTACLE WITH .89 [22.6] BARREL DEPTH.
4. INSULATION CUT TO LENGTH 'B' BUT NOT REMOVED.
5. OPERATING VOLTAGE: 15 KVDC AT 0 TO 70,000 FEET, -55°C TO 125°C.



THIS DRAWING IS A CONTROLLED DOCUMENT.		DWN A.H.ANDERSON 09-JUN-05		Tyco Electronics Corporation Harrisburg, Pa 17105-3608																			
DIMENSIONS: INCHES		TOLERANCES UNLESS OTHERWISE SPECIFIED:		APPROV D. FARY 09-JUN-05																			
<table border="1"> <tr><td>0 PLC</td><td>± -</td></tr> <tr><td>1 PLC</td><td>± -</td></tr> <tr><td>2 PLC</td><td>± .02 [0.5]</td></tr> <tr><td>3 PLC</td><td>± -</td></tr> <tr><td>4 PLC</td><td>± -</td></tr> <tr><td>ANGLES</td><td>± -</td></tr> </table>		0 PLC	± -	1 PLC	± -	2 PLC	± .02 [0.5]	3 PLC	± -	4 PLC	± -	ANGLES	± -	<table border="1"> <tr><td>NAME</td><td>LEAD ASS'Y</td></tr> <tr><td>PRODUCT SPEC</td><td>SGL END</td></tr> <tr><td>APPLICATION SPEC</td><td>LGH-1/2L</td></tr> </table>		NAME	LEAD ASS'Y	PRODUCT SPEC	SGL END	APPLICATION SPEC	LGH-1/2L	SIZE A1	
0 PLC	± -																						
1 PLC	± -																						
2 PLC	± .02 [0.5]																						
3 PLC	± -																						
4 PLC	± -																						
ANGLES	± -																						
NAME	LEAD ASS'Y																						
PRODUCT SPEC	SGL END																						
APPLICATION SPEC	LGH-1/2L																						
MATERIAL SEE CALLOUTS		FINISH SEE CALLOUTS		WEIGHT -																			
CUSTOMER DRAWING		SCALE 4:1		SHEET 1 OF 1																			
		DRAWING NO 00779		REV A																			