



Chipsmall Limited consists of a professional team with an average of over 10 year of expertise in the distribution of electronic components. Based in Hongkong, we have already established firm and mutual-benefit business relationships with customers from,Europe,America and south Asia,supplying obsolete and hard-to-find components to meet their specific needs.

With the principle of "Quality Parts,Customers Priority,Honest Operation,and Considerate Service",our business mainly focus on the distribution of electronic components. Line cards we deal with include Microchip,ALPS,ROHM,Xilinx,Pulse,ON,Everlight and Freescale. Main products comprise IC,Modules,Potentiometer,IC Socket,Relay,Connector.Our parts cover such applications as commercial,industrial, and automotives areas.

We are looking forward to setting up business relationship with you and hope to provide you with the best service and solution. Let us make a better world for our industry!



Contact us

Tel: +86-755-8981 8866 Fax: +86-755-8427 6832

Email & Skype: info@chipsmall.com Web: www.chipsmall.com

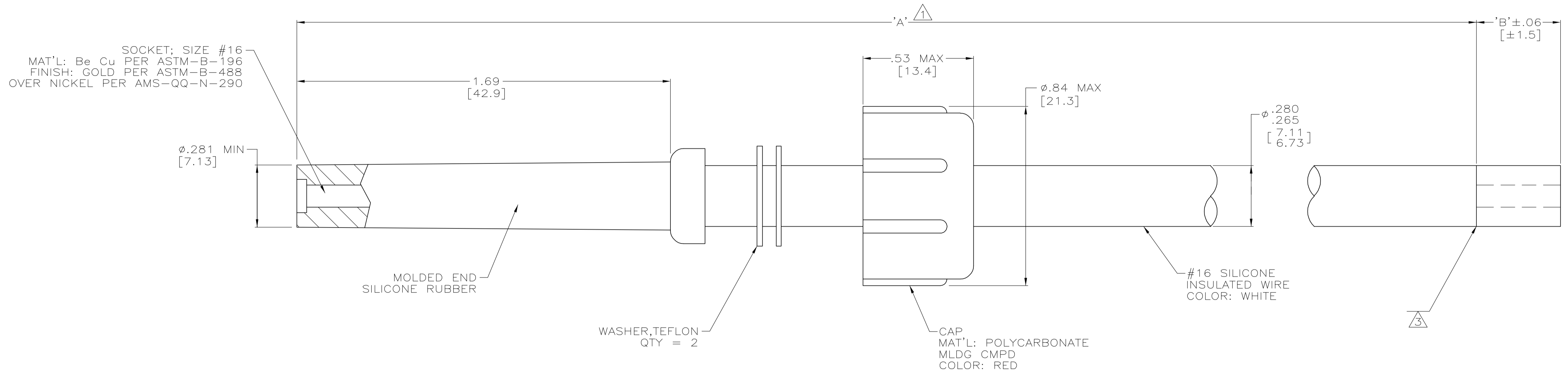
Address: A1208, Overseas Decoration Building, #122 Zhenhua RD., Futian, Shenzhen, China



LOC		DIST		REVISIONS			
DF	X5	REV	DATE	BY	APP'D	DATE	BY
A		1	06-05	AA	DE		

PART NO.	'A'	'B'
5830637-5	36.00 [914.4]	.38 [9.7]
5830637-8	47.25 [1200.1]	.50 [12.7]
1-5830637-2	12.00 [304.8]	.38 [9.7]
1-5830637-3	18.00 [457.2]	.38 [9.7]
2-5830637-3	17.00 [431.8]	.50 [12.7]
2-5830637-4	48.00 [1219.2]	.38 [9.7]
2-5830637-8	24.00 [609.6]	.38 [9.7]
3-5830637-6	118.00 [2997.2]	.38 [9.7]

1. TOLERANCE OF LEAD LENGTH:
 UP TO 24 INCHES [609.6] = ±.12 [±3.0]
 24 INCHES [609.6] & UP = ±1%
2. MARKED PER MIL-STD-130.
3. INSULATION CUT TO LENGTH 'B' BUT NOT REMOVED.
4. TO MATE WITH AMP LGH-1L RECEPTACLE WITH 1.69 [42.93] BARREL DEPTH.
5. OPERATING VOLTAGE: 25 KVDC AT 0 TO 70,000 FEET, -55°C TO 125°C.
6. MIN LEAD LENGTH IS 5.00 [127.0].



THIS DRAWING IS A CONTROLLED DOCUMENT.		DWG A.H.ANDERSON 09-JUN-05		Tyco Electronics Corporation Harrisburg, Pa 17105-3608	
DIMENSIONS: INCHES		CHK D. FARY 09-JUN-05		NAME D. FARY	LEAD ASS'Y SGL END LGH-1L
TOLERANCES UNLESS OTHERWISE SPECIFIED:		APPROD D. FARY 09-JUN-05		RESTRICTED TO	
0 PLC ± - 1 PLC ± - 2 PLC ± .02 [0.5] 3 PLC ± - 4 PLC ± - ANGLES ± -		APPLICATION SPEC		SIZE A1	
MATERIAL SEE CALLOUTS		WEIGHT		CAGE CODE 00779	
FINISH SEE CALLOUTS		DRAWING NO 5830637		SCALE 4:1	
CUSTOMER DRAWING		SHEET 1 OF 1		REV A	