



Chipsmall Limited consists of a professional team with an average of over 10 year of expertise in the distribution of electronic components. Based in Hongkong, we have already established firm and mutual-benefit business relationships with customers from,Europe,America and south Asia,supplying obsolete and hard-to-find components to meet their specific needs.

With the principle of "Quality Parts,Customers Priority,Honest Operation,and Considerate Service",our business mainly focus on the distribution of electronic components. Line cards we deal with include Microchip,ALPS,ROHM,Xilinx,Pulse,ON,Everlight and Freescale. Main products comprise IC,Modules,Potentiometer,IC Socket,Relay,Connector.Our parts cover such applications as commercial,industrial, and automotives areas.

We are looking forward to setting up business relationship with you and hope to provide you with the best service and solution. Let us make a better world for our industry!



Contact us

Tel: +86-755-8981 8866 Fax: +86-755-8427 6832

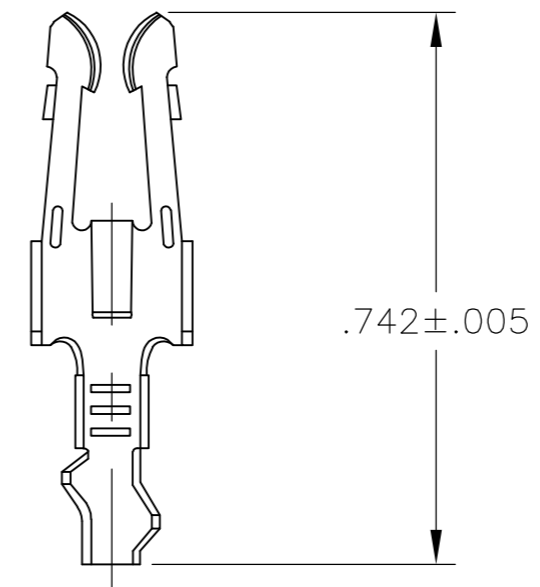
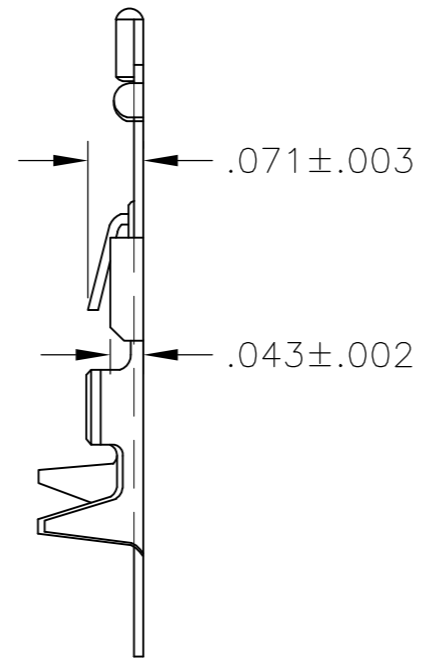
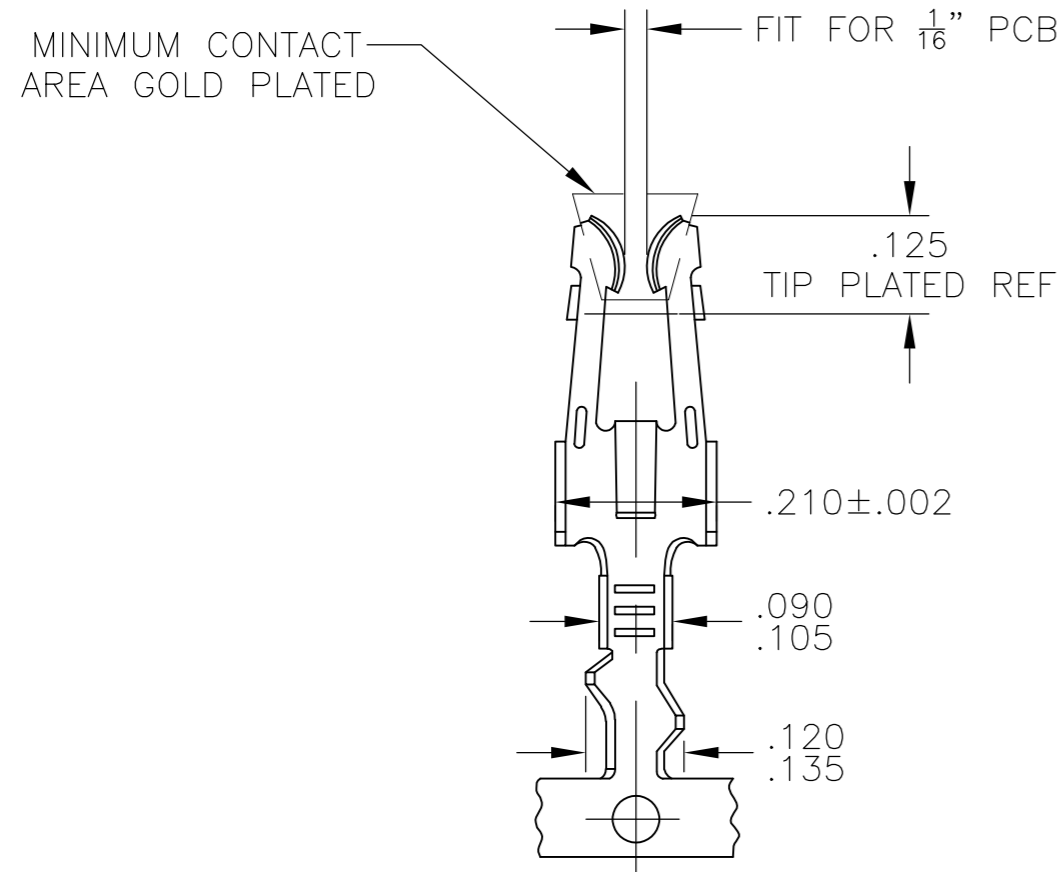
Email & Skype: info@chipsmall.com Web: www.chipsmall.com

Address: A1208, Overseas Decoration Building, #122 Zhenhua RD., Futian, Shenzhen, China



THIS DRAWING IS UNPUBLISHED. RELEASED FOR PUBLICATION
 © COPYRIGHT BY TYCO ELECTRONICS CORPORATION. ALL RIGHTS RESERVED.

LOC	DIST	REVISIONS			
P	LTR	DESCRIPTION	DATE	DWN	APVD
	G	ECO-05-004683	16JAN06	BSV	MM
	G1	REV PER ECO-09-021510	12SEP09	KK	AEG



LOOSE PIECE

- 1. WIRE SIZE: #24-#20 AWG.
INS. RANGE : .050-.090 DIA
- 2 MATTE TIN PLATE IN CRIMP AREA.
- 3 OBSOLETE PARTS: OBSOLETE CIS STREAMLINING PER D.RENAUD/D.SINISI

	NICKEL PLATE ALL OVER, TIP PLATE .000015 THICK GOLD.REELING L-R FEED FOR MINI-APPLICATOR.	3 5-583261-3	2 5-583259-4
	NICKEL PLATE ALL OVER, TIP PLATE .000015 THICK GOLD.REELING L-R FEED FOR MINI-APPLICATOR.	3 5-583261-2	2 5-583259-3
	TIN REELING L-R FEED FOR MINI APPLICATOR.	3 5-583261-1	2 5-583259-2
OBSOLETE	TIN REELING L-R FEED FOR STRIPPER CRIMPER.	583261-2	583259-5
	NICKEL PLATE ALL OVER, TIP PLATE .000015 THICK GOLD.REELING L-R FEED FOR MINI-APPLICATOR.	3 583261-3	583259-4
	NICKEL PLATE ALL OVER, TIP PLATE .000015 THICK GOLD.REELING L-R FEED FOR MINI-APPLICATOR.	3 583261-2	583259-3
	TIN REELING L-R FEED FOR MINI APPLICATOR.	3 583261-1	583259-2
	FINISH	LOOSE PIECE	PART NO.
		PART NO.	

THIS DRAWING IS A CONTROLLED DOCUMENT.		DWN	-	Tyco Electronics Corporation Harrisburg, Pa 17105-3608	
DIMENSIONS: INCHES		CHK	-	NAME	
TOLERANCES UNLESS OTHERWISE SPECIFIED:		APVD	-	PRODUCT SPEC	
0 PLC ± -				APPLICATION SPEC	
1 PLC ± -				SCALE	
2 PLC ± -				CAGE CODE	
3 PLC ± -				DRAWING NO	
4 PLC ± -				RESTRICTED TO	
ANGLES ± -				SIZE	
FINISH		WEIGHT		A2 00779 C=583259	
PHOS. BRONZE		SEE TABLE		SCALE 4:1 SHEET 1 OF 1 REV G1	
		CUSTOMER DRAWING			

583259