



Chipsmall Limited consists of a professional team with an average of over 10 year of expertise in the distribution of electronic components. Based in Hongkong, we have already established firm and mutual-benefit business relationships with customers from,Europe,America and south Asia,supplying obsolete and hard-to-find components to meet their specific needs.

With the principle of “Quality Parts,Customers Priority,Honest Operation,and Considerate Service”,our business mainly focus on the distribution of electronic components. Line cards we deal with include Microchip,ALPS,ROHM,Xilinx,Pulse,ON,Everlight and Freescale. Main products comprise IC,Modules,Potentiometer,IC Socket,Relay,Connector.Our parts cover such applications as commercial,industrial, and automotives areas.

We are looking forward to setting up business relationship with you and hope to provide you with the best service and solution. Let us make a better world for our industry!



Contact us

Tel: +86-755-8981 8866 Fax: +86-755-8427 6832

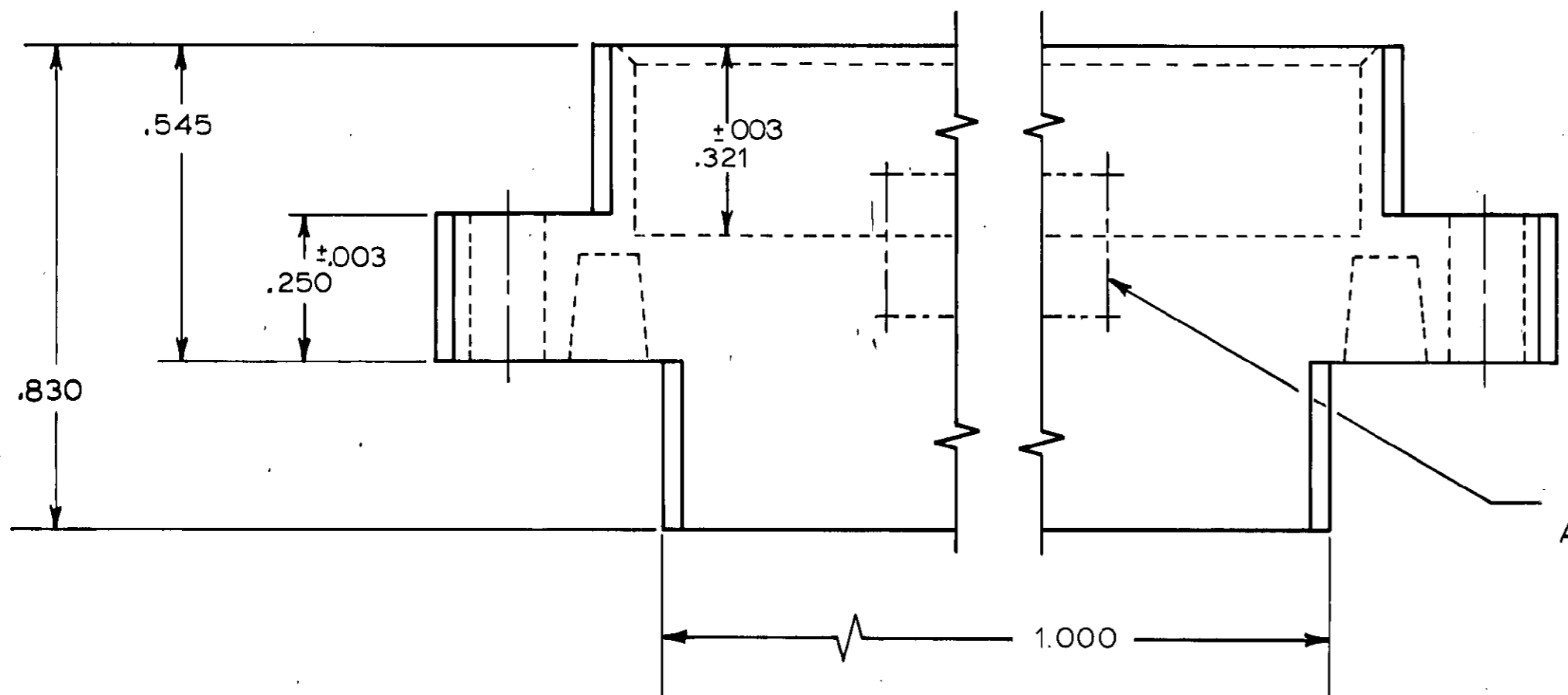
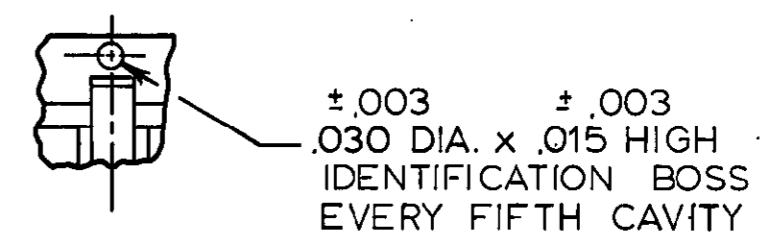
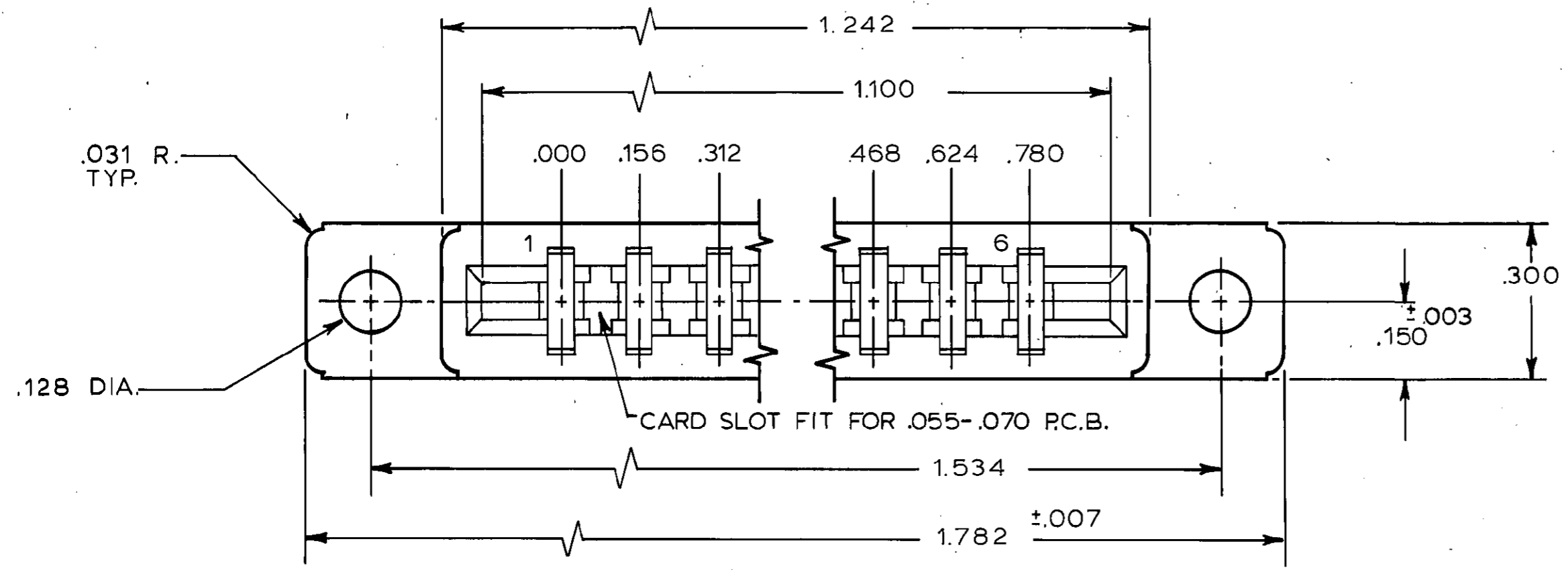
Email & Skype: info@chipsmall.com Web: www.chipsmall.com

Address: A1208, Overseas Decoration Building, #122 Zhenhua RD., Futian, Shenzhen, China

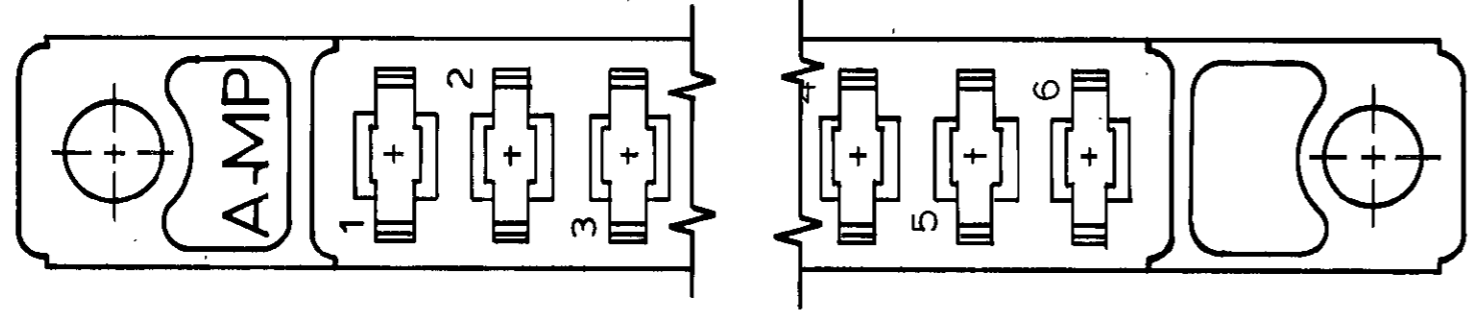


THIS DRAWING IS UNPUBLISHED. RELEASED FOR PUBLICATION NOVEMBER 8, 1967.
 © COPYRIGHT 1967 BY AMP INCORPORATED, HARRISBURG, PA. ALL INTERNATIONAL RIGHTS RESERVED. AMP PRODUCTS MAY BE COVERED BY U.S. AND FOREIGN PATENTS AND/OR PATENTS PENDING.

		REVISIONS			LOC AD	DIST 00
P	F	ZONE	LTR	DESCRIPTION	DATE	APPROVED
			F1	REDWN/AD0314	SR 5/4/84	HWR
			G	REVISED PER 0010-1301-94	11/3/94	SC
			H	REV PER EC 0G3C-233-01	08OCT01	MM



MARKED "A-MP", PART NO., AND DATE CODE



1. USE ON CONTACT KEYING PLUG NO. 583283-1
2. USE CONTACT NO. 583259
3. GLASS FILLED NYLON, COLOR: BLACK, OR GLASS FILLED POLYESTER, COLOR: BLACK.

583297-1		AS SHOWN		ITEM NO
CODE IDENT	DWG. SIZE	PART NO OR IDENTIFYING NO	NOMENCLATURE OR DESCRIPTION	
REVISION OF EACH ASSY NO (WHEN BLANK, USE DWG REVISION)				
QTY REQD PER ASSY		PARTS LIST		
UNLESS OTHERWISE SPECIFIED DIMENSIONS ARE IN INCHES. TOLERANCES ON: DECIMALS ±.005 ANGLES ±		CONTRACT NO	AMP AMP INCORPORATED Harrisburg, Pa. 17105	
MATERIAL 3		DR <i>S. Royall</i> 5-4-84	NAME HOUSING, MODIFIED FORK 6 POS., .156 CENTERS.	
FINISH		CHK <i>H.W. Rose</i> 6/5/84	APPD <i>Howard W. Rose</i> 6/5/84	
		DSGN APPD <i>W. C. ...</i> 6/6/84	SIZE C	FSCM NO 00779
		OTHER APPD	DRAWING NO 583297	
			SCALE 4:1	SHEET 1 OF 1