



Chipsmall Limited consists of a professional team with an average of over 10 year of expertise in the distribution of electronic components. Based in Hongkong, we have already established firm and mutual-benefit business relationships with customers from,Europe,America and south Asia,supplying obsolete and hard-to-find components to meet their specific needs.

With the principle of “Quality Parts,Customers Priority,Honest Operation,and Considerate Service”,our business mainly focus on the distribution of electronic components. Line cards we deal with include Microchip,ALPS,ROHM,Xilinx,Pulse,ON,Everlight and Freescale. Main products comprise IC,Modules,Potentiometer,IC Socket,Relay,Connector.Our parts cover such applications as commercial,industrial, and automotives areas.

We are looking forward to setting up business relationship with you and hope to provide you with the best service and solution. Let us make a better world for our industry!



Contact us

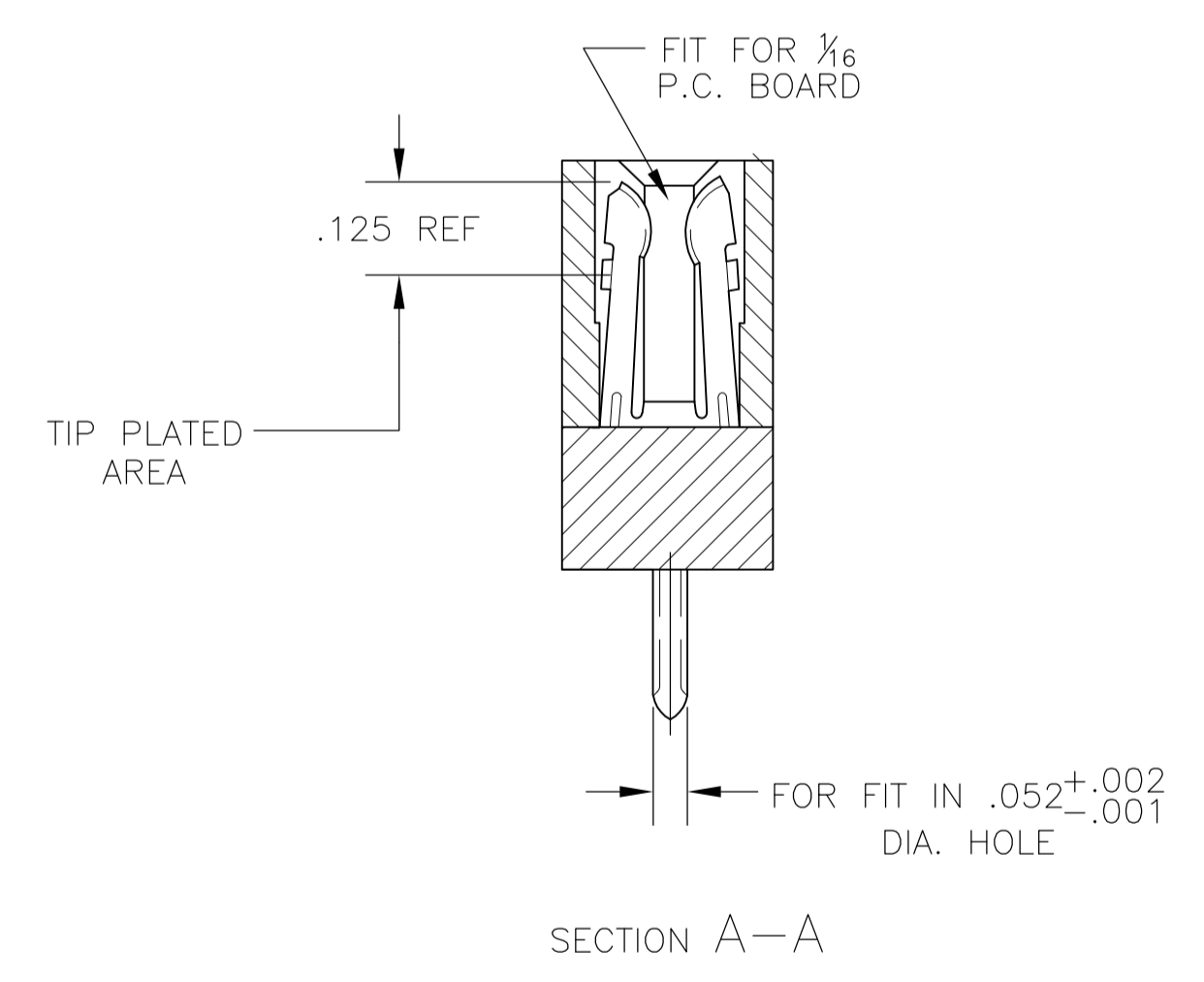
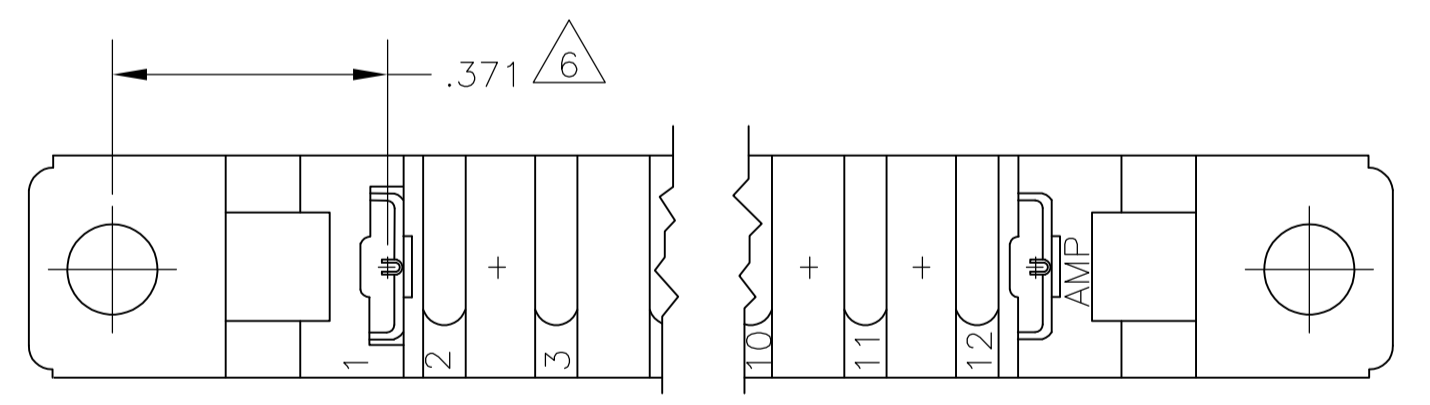
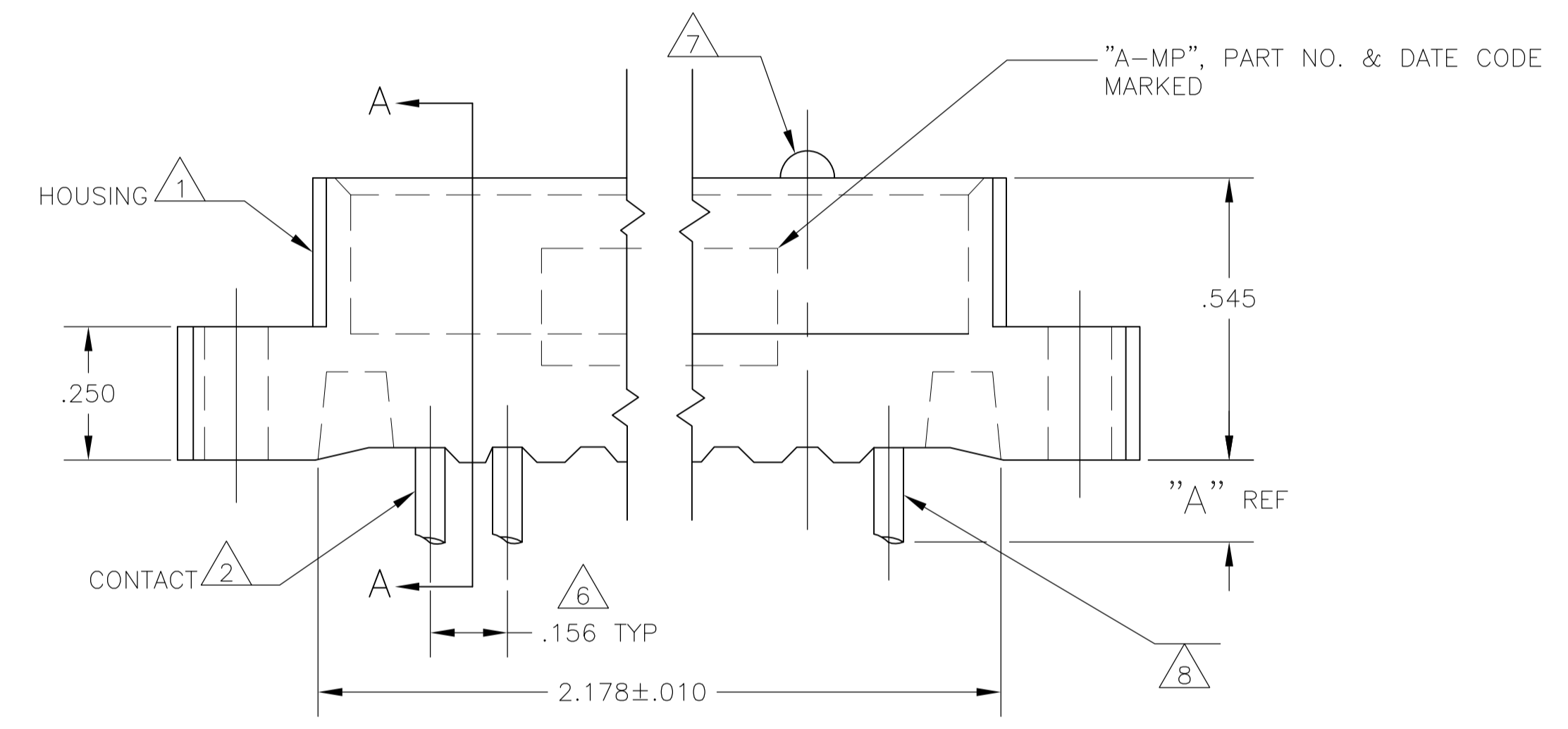
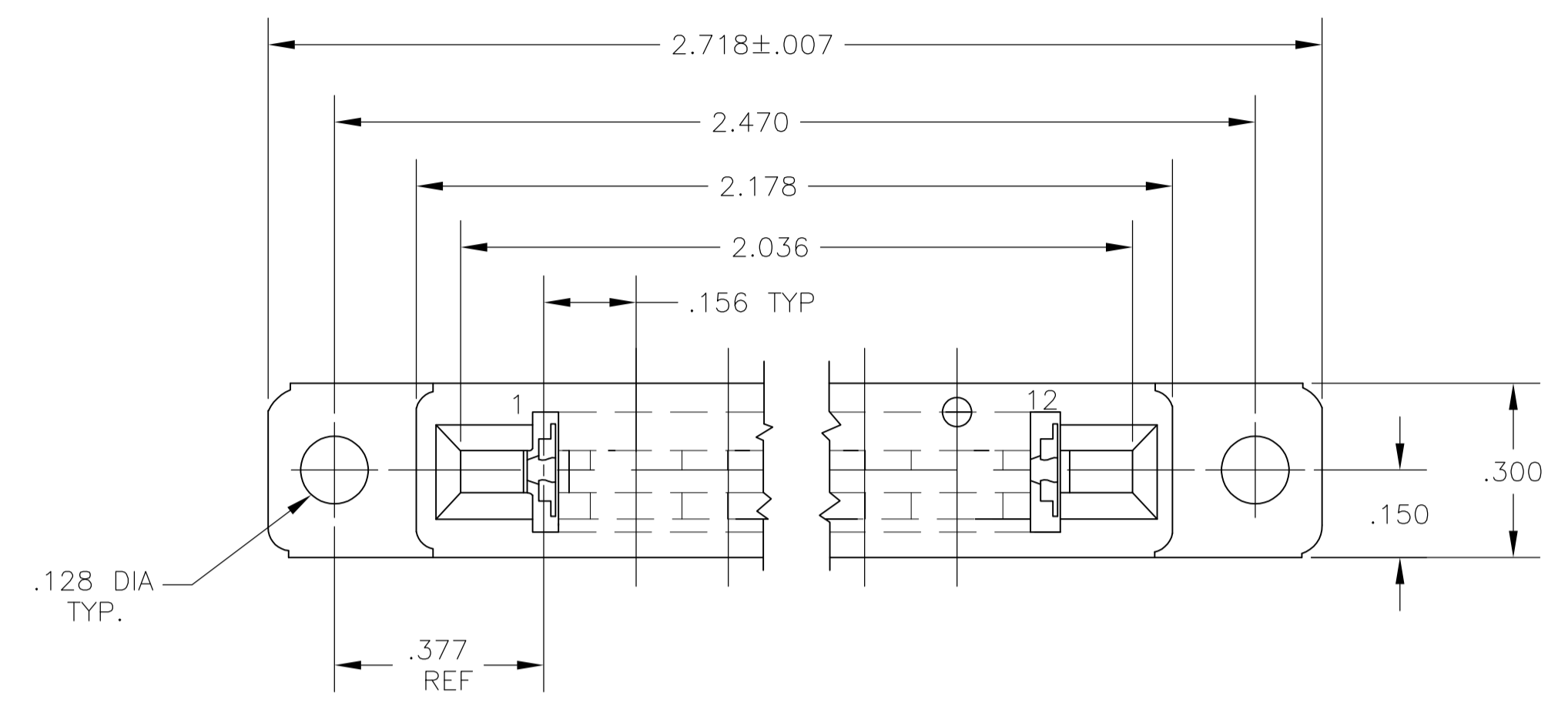
Tel: +86-755-8981 8866 Fax: +86-755-8427 6832

Email & Skype: info@chipsmall.com Web: www.chipsmall.com

Address: A1208, Overseas Decoration Building, #122 Zhenhua RD., Futian, Shenzhen, China



| LOC | | DIST | | REVISIONS | | | |
|-----|---------|---------------|-----|-------------|---------|-----|------|
| AD | 00 | REV | PER | DESCRIPTION | DATE | BY | APPV |
| L | ECO 05 | 003616 | | | 19APR06 | BSV | MM |
| L1 | REV PER | ECO-09-021510 | | | 14SEP09 | KK | AEG |



- 1 HOUSING MATL. GLASS FILLED NYLON, COLOR: BLACK OR GLASS FILLED POLYESTER, COLOR: BLACK.
- 2 CONTACT MATL. PHOSPHOR BRONZE, SEE TABLE FOR FINISH.
- 3 TIN PLATED.
- 4 .000015 GOLD TIP PLATED ON NICKEL ALL OVER, TIN PLATED SOLDER TABS.
- 6 SPACING FOR P.C.BOARD MOUNTING HOLES.
- 7 IDENTIFICATION BOSS AT 5TH CAVITY.
- 8 POST ORIENTATION AMP'S OPTION.
- 9. A 1/16 THICK DUMMY P.C. BOARD SHOULD BE INSERTED DURING SOLDERING.
- 10 .000030 GOLD TIP PLATED ON NICKEL ALL OVER, TIN PLATED SOLDER TABS.
- 11 MATTE TIN PLATE ON SOLDER TAILS.
- 12 OBSOLETE PARTS: OBSOLETE CIS STREAMLINING PER D.RENAUD/D.SINISI

| | | | | |
|----|------------|----------------|------|------------|
| 12 | OBSOLETE | 4 11 | .187 | 5-583354-2 |
| | | 3 11 | .187 | 5-583354-1 |
| | OBSOLETE | 10 | .187 | 583354-3 |
| | | 4 | .187 | 583354-2 |
| 12 | SUPERSEDED | 3 | .187 | 583354-1 |
| | | CONTACT FINISH | A | PART NO. |

THIS DRAWING IS A CONTROLLED DOCUMENT.

| | | | | | |
|--------------------|--|--------------------------|------------------|-----------|--|
| DIMENSIONS: INCHES | TOLERANCES UNLESS OTHERWISE SPECIFIED: | DIN R. H. FRANTZ 18MAR68 | APVD D. S. HEIDE | NAME | Tyco Electronics Corporation Harrisburg, Pa 17105-3608 |
| 0 PLC ± - | 1 PLC ± - | 2 PLC ± - | 3 PLC ± - | 4 PLC ± - | ANGLES ± - |
| MATERIAL | FINISH SEE TABLE | WEIGHT | SIZE | CAGE CODE | DRAWING NO |
| 1 2 | | | A1 | 00779 | 583354 |
| CUSTOMER DRAWING | | | SCALE | SHEET | REV |
| | | | 4:1 | 1 of 1 | L1 |