



Chipsmall Limited consists of a professional team with an average of over 10 year of expertise in the distribution of electronic components. Based in Hongkong, we have already established firm and mutual-benefit business relationships with customers from,Europe,America and south Asia,supplying obsolete and hard-to-find components to meet their specific needs.

With the principle of “Quality Parts,Customers Priority,Honest Operation,and Considerate Service”,our business mainly focus on the distribution of electronic components. Line cards we deal with include Microchip,ALPS,ROHM,Xilinx,Pulse,ON,Everlight and Freescale. Main products comprise IC,Modules,Potentiometer,IC Socket,Relay,Connector.Our parts cover such applications as commercial,industrial, and automotives areas.

We are looking forward to setting up business relationship with you and hope to provide you with the best service and solution. Let us make a better world for our industry!



## Contact us

Tel: +86-755-8981 8866 Fax: +86-755-8427 6832

Email & Skype: info@chipsmall.com Web: www.chipsmall.com

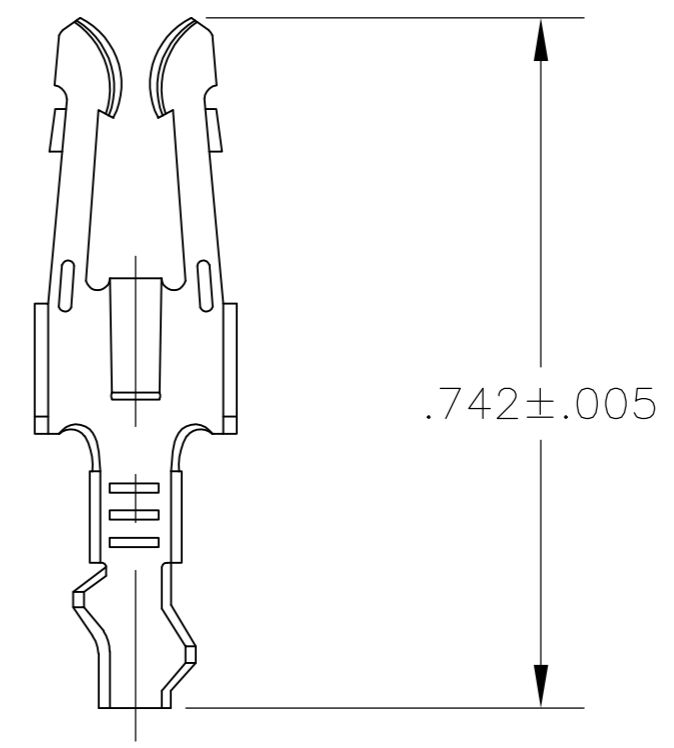
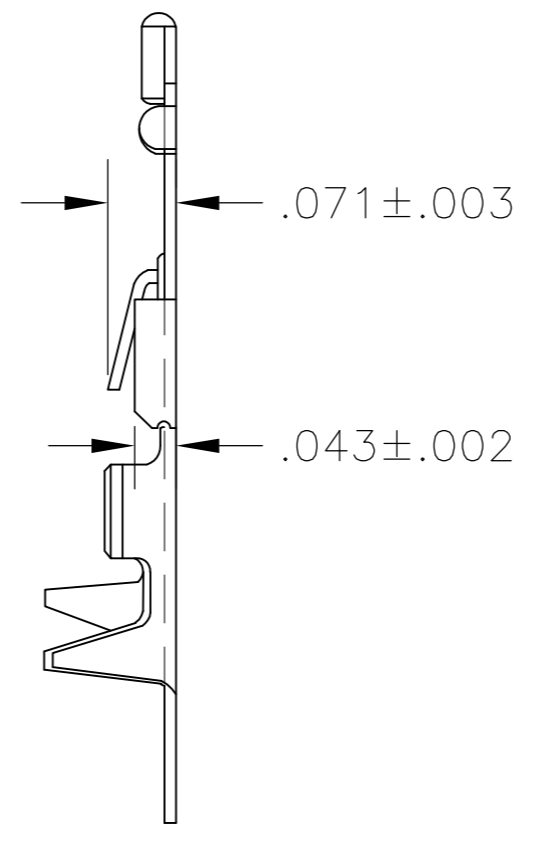
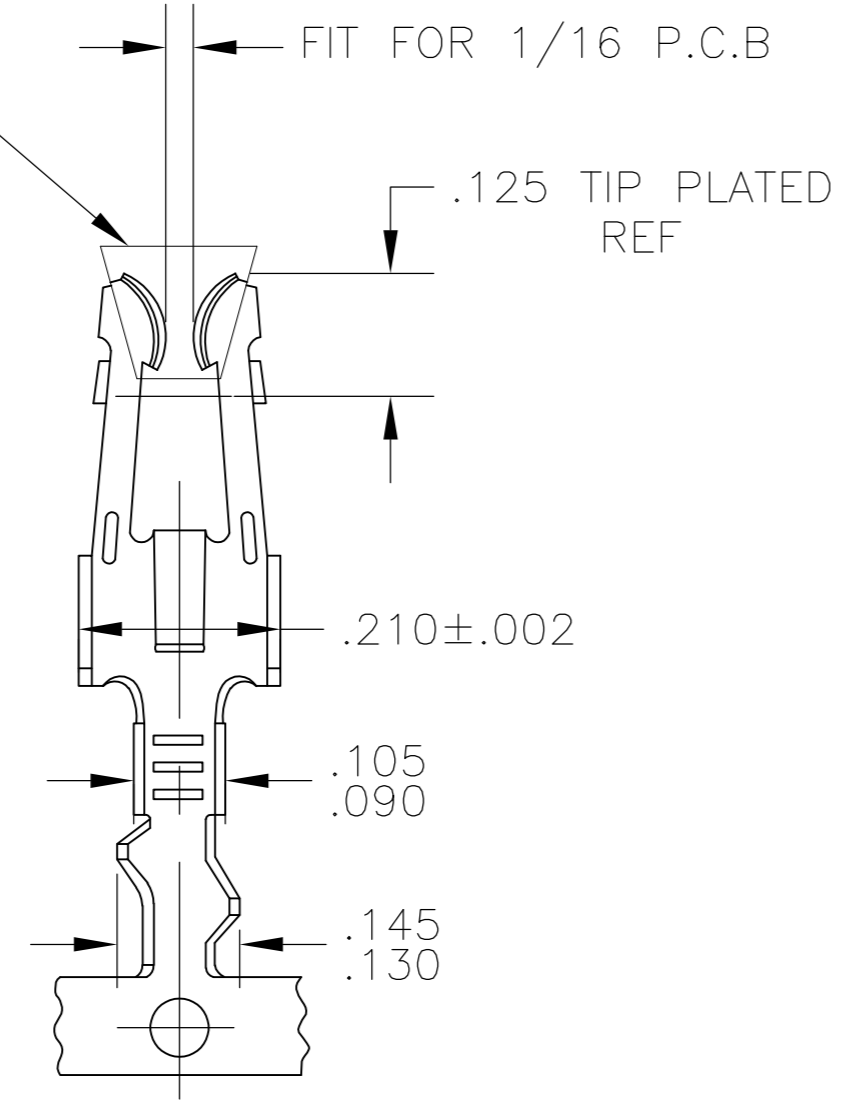
Address: A1208, Overseas Decoration Building, #122 Zhenhua RD., Futian, Shenzhen, China



THIS DRAWING IS UNPUBLISHED. RELEASED FOR PUBLICATION  
 © COPYRIGHT BY TYCO ELECTRONICS CORPORATION. ALL RIGHTS RESERVED.

LOC	DIST	REVISIONS			
P	LTR	DESCRIPTION	DATE	DWN	APVD
	B	ECO-05-004683	18JAN06	BSV	MM
	B1	REV PER ECO-09-021510	14SEP09	KK	AEG

MINIMUM CONTACT AREA GOLD PLATED



LOOSE PIECE

- 1. WIRE SIZE: #20-#18 AWG, INSULATION RANGE .070-.110 DIA.
- 2 L-R REELING FOR MINI-APPLICATOR.
- 3 MATTE TIN PLATE IN CRIMP AREA.
- 4 OBSOLETE PARTS: OBSOLETE CIS STREAMLINING PER D.RENAUD/D.SINISI

NICKEL PLATE ALL OVER, TIP PLATE .000030 THICK GOLD.	583362-4 L.P( <del>5-583363-3</del> )	583362-7 <span style="border: 1px solid black; padding: 2px;">3</span>
NICKEL PLATE ALL OVER, TIP PLATE .000015 THICK GOLD.	583362-3 L.P( <del>5-583363-2</del> )	<span style="border: 1px solid black; padding: 2px;">4</span> <del>583362-6</del> <span style="border: 1px solid black; padding: 2px;">3</span>
TIN.	583362-2 L.P( <del>5-583363-1</del> )	<span style="border: 1px solid black; padding: 2px;">4</span> <del>583362-5</del> <span style="border: 1px solid black; padding: 2px;">3</span>
NICKEL PLATE ALL OVER, TIP PLATE .000030 THICK GOLD.	583362-4 L.P(583363-3)	583362-4 <span style="border: 1px solid black; padding: 2px;">2</span>
NICKEL PLATE ALL OVER, TIP PLATE .000015 THICK GOLD.	583362-3 L.P(583363-2)	583362-3 <span style="border: 1px solid black; padding: 2px;">2</span>
TIN.	583362-2 L.P( <del>583363-1</del> )	583362-2 <span style="border: 1px solid black; padding: 2px;">2</span>
FINISH	LOOSE PIECE COMBINATION NO.	PART NO.

THIS DRAWING IS A CONTROLLED DOCUMENT.		DWN	16SEP67	<b>tyco</b> Electronics	Tyco Electronics Corporation Harrisburg, PA 17105-3608		
DIMENSIONS: INCHES		CHK	-		MODIFIED FORK CONTACT		
TOLERANCES UNLESS OTHERWISE SPECIFIED:		APVD	-	NAME			
0 PLC ± -		PRODUCT SPEC	-	SIZE			
1 PLC ± -		APPLICATION SPEC	-	CAGE CODE	DRAWING NO	RESTRICTED TO	
2 PLC ± -		FINISH	-	A2	00779	C=583362	
3 PLC ± -		MATERIAL	PHOS. BRONZE	WEIGHT	-	-	
4 PLC ± -		FINISH	SEE TABLE	CUSTOMER DRAWING	SCALE	4:1	
ANGLES ± -				SHEET	1	OF 1	
				REV	B1		

583362