



Chipsmall Limited consists of a professional team with an average of over 10 year of expertise in the distribution of electronic components. Based in Hongkong, we have already established firm and mutual-benefit business relationships with customers from,Europe,America and south Asia,supplying obsolete and hard-to-find components to meet their specific needs.

With the principle of “Quality Parts,Customers Priority,Honest Operation,and Considerate Service”,our business mainly focus on the distribution of electronic components. Line cards we deal with include Microchip,ALPS,ROHM,Xilinx,Pulse,ON,Everlight and Freescale. Main products comprise IC,Modules,Potentiometer,IC Socket,Relay,Connector.Our parts cover such applications as commercial,industrial, and automotives areas.

We are looking forward to setting up business relationship with you and hope to provide you with the best service and solution. Let us make a better world for our industry!



## Contact us

Tel: +86-755-8981 8866 Fax: +86-755-8427 6832

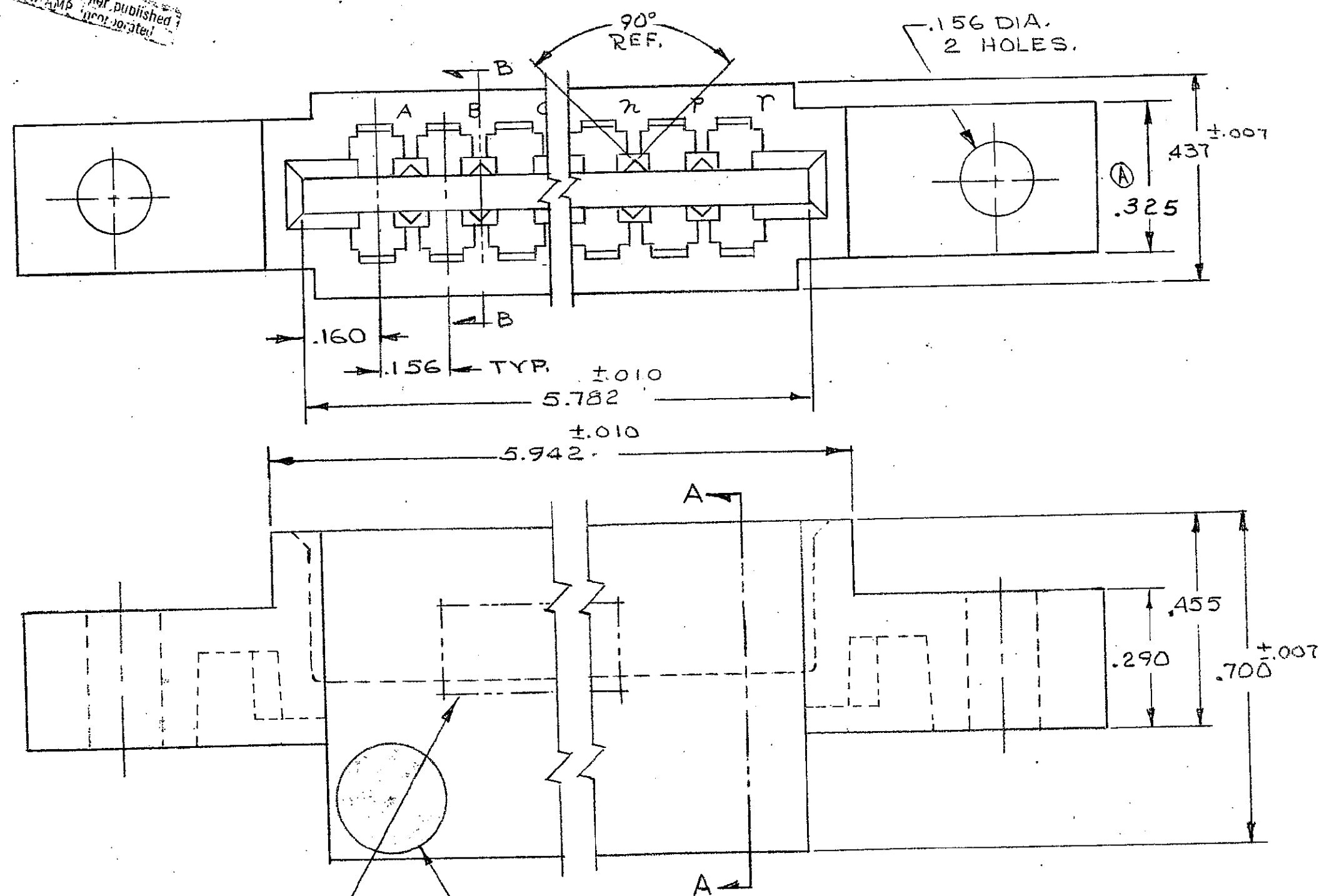
Email & Skype: info@chipsmall.com Web: www.chipsmall.com

Address: A1208, Overseas Decoration Building, #122 Zhenhua RD., Futian, Shenzhen, China

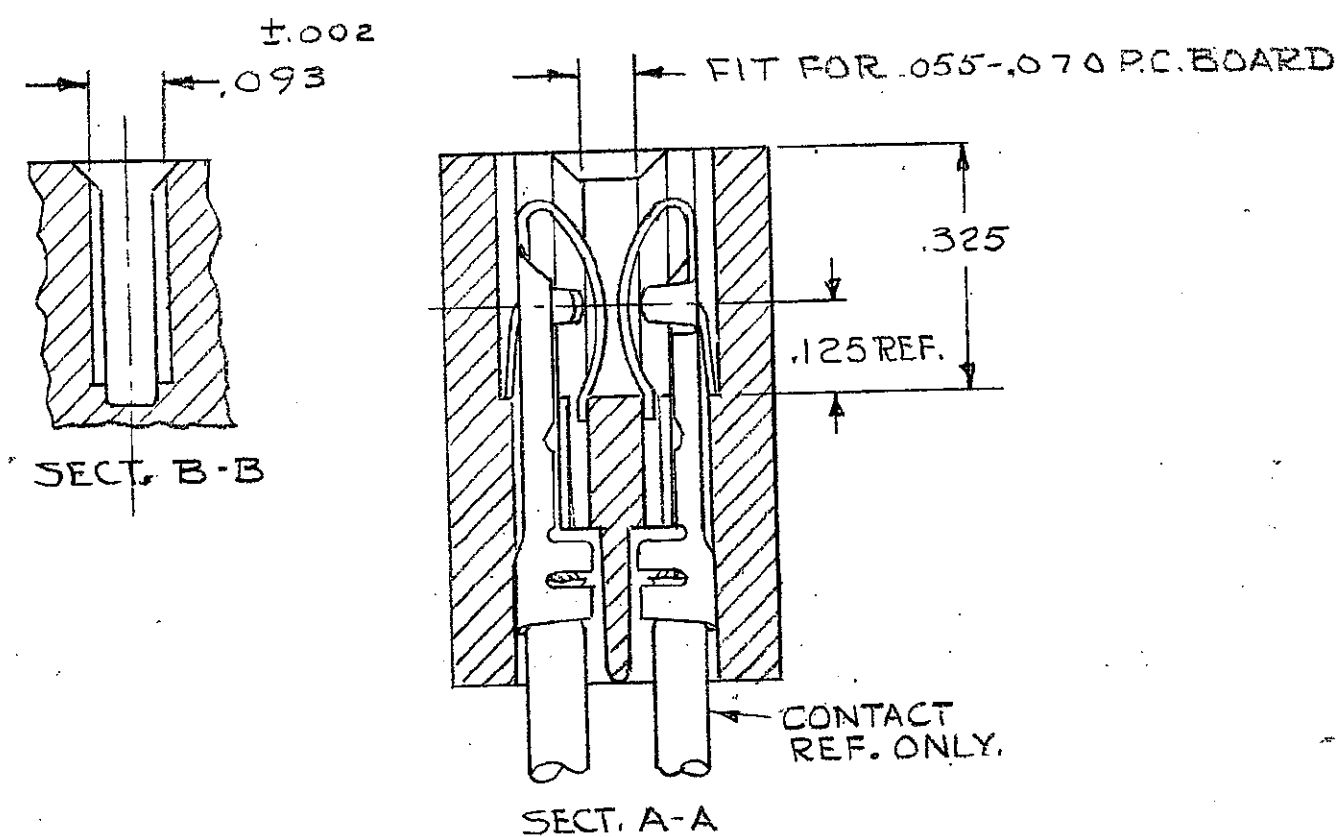


© 1970 BY AMP INCORPORATED. ALL RIGHTS RESERVED. AMP PRODUCTS COVERED BY PATENTS AND/OR PATENTS PENDING.

REVISIONS				
ZONE	LTR	DESCRIPTION	DATE	APPROVED
	E	REV PER 0010-0337-95	10-17-95	P.B.
	F	REV PER EC 0320-349-97	25 Nov 97	NS

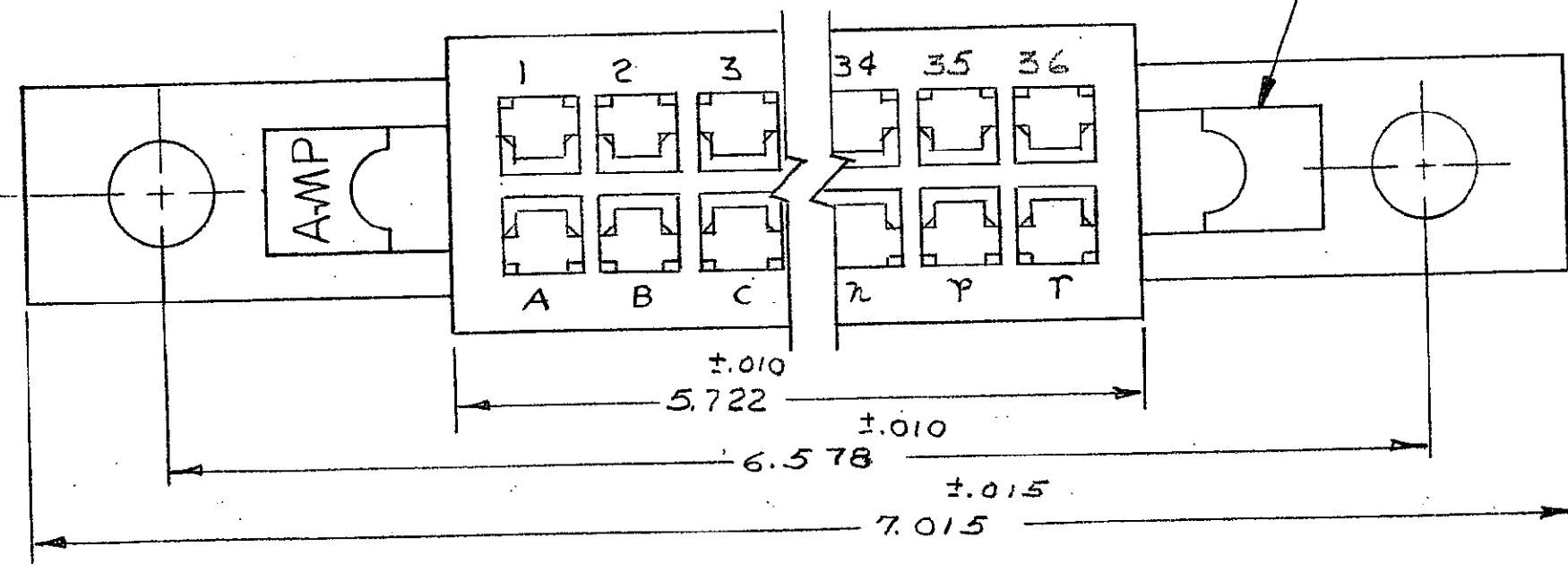


583552-1 AS SHOWN.  
 OBSOLETE 583552-3. SAME AS EXCEPT  
 .250 DIA. ±.015 WHITE DOT, STAMPED LOWER  
 LEFT HAND CORNER, SAME SIDE AS  
 "AMP" PART NO & DATE CODE.



"AMP" PART NO & DATE CODE  
 HOT STAMPED IN THIS  
 AREA PER 115-9009.  
 FOR-3 ONLY.

CORING OPTIONAL



UNLESS OTHERWISE SPECIFIED, DIMENSIONS ARE IN INCHES TOLERANCES ON: DECIMALS ± .005 ANGLES ±	CONTRACT NO.	AMP INCORPORATED HARRISBURG, PENNSYLVANIA	
	DR <i>Opunkle</i> 1-8-70	NAME HOUSING, AMP LEAF, 36 DUAL	
MATERIAL GLASS FILLED NYLON OR POLYESTER COLOR: BLACK	CHK <i>S.D. Heide</i> 1-13-70	SIZE C	CODE IDENT NO. 00779
	APPD <i>J. Kaufman</i> 1-13-70	NUMBER 583552	
	REL <i>R. Shawman</i> 1/13/70	SCALE 4-1	SHEET 1 OF 1
	DSGN APPD	CUSTOMER DRAWING	

LOC. 122  
 PRINT-DIST

583552