



Chipsmall Limited consists of a professional team with an average of over 10 year of expertise in the distribution of electronic components. Based in Hongkong, we have already established firm and mutual-benefit business relationships with customers from,Europe,America and south Asia,supplying obsolete and hard-to-find components to meet their specific needs.

With the principle of “Quality Parts,Customers Priority,Honest Operation,and Considerate Service”,our business mainly focus on the distribution of electronic components. Line cards we deal with include Microchip,ALPS,ROHM,Xilinx,Pulse,ON,Everlight and Freescale. Main products comprise IC,Modules,Potentiometer,IC Socket,Relay,Connector.Our parts cover such applications as commercial,industrial, and automotives areas.

We are looking forward to setting up business relationship with you and hope to provide you with the best service and solution. Let us make a better world for our industry!



Contact us

Tel: +86-755-8981 8866 Fax: +86-755-8427 6832

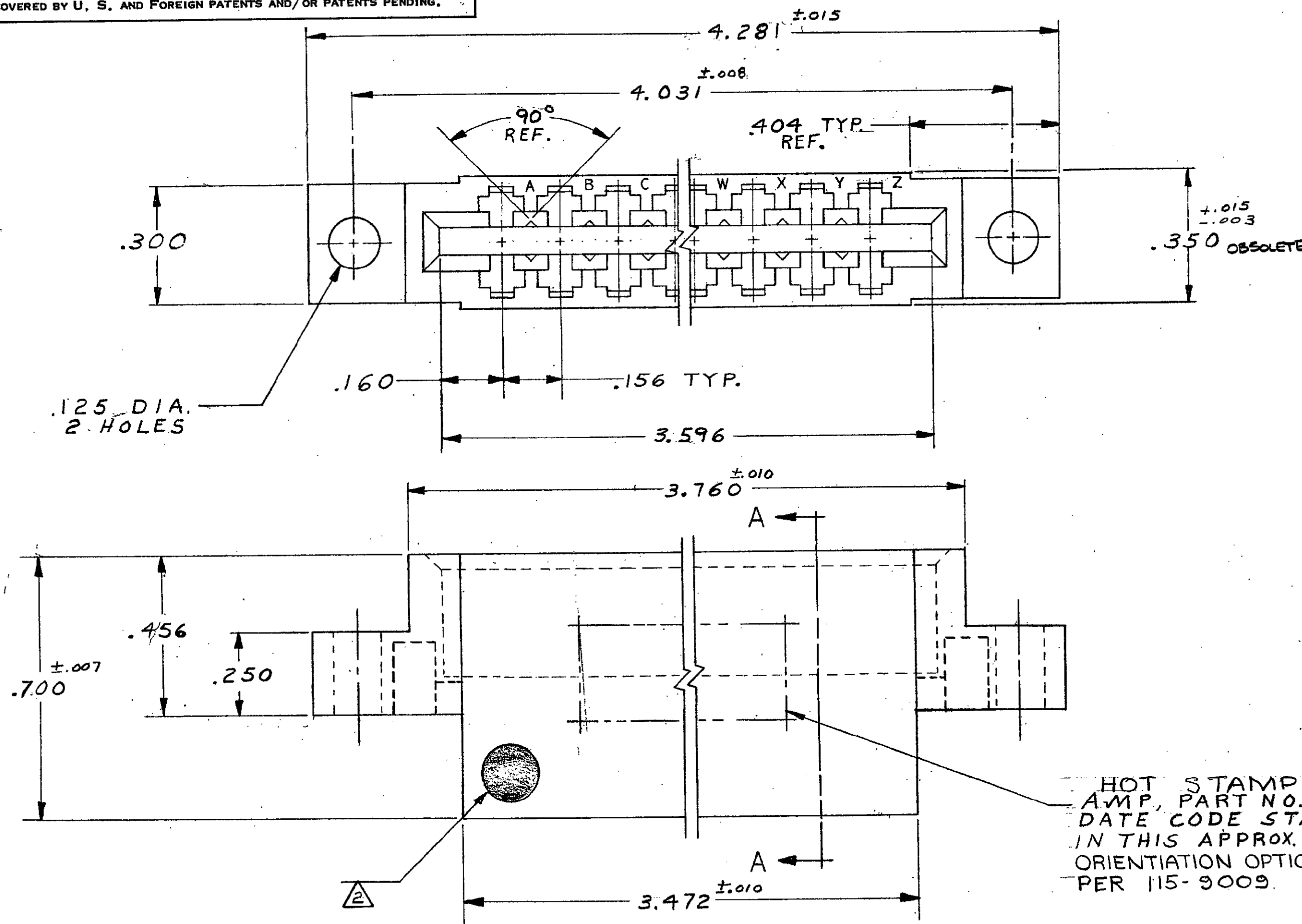
Email & Skype: info@chipsmall.com Web: www.chipsmall.com

Address: A1208, Overseas Decoration Building, #122 Zhenhua RD., Futian, Shenzhen, China

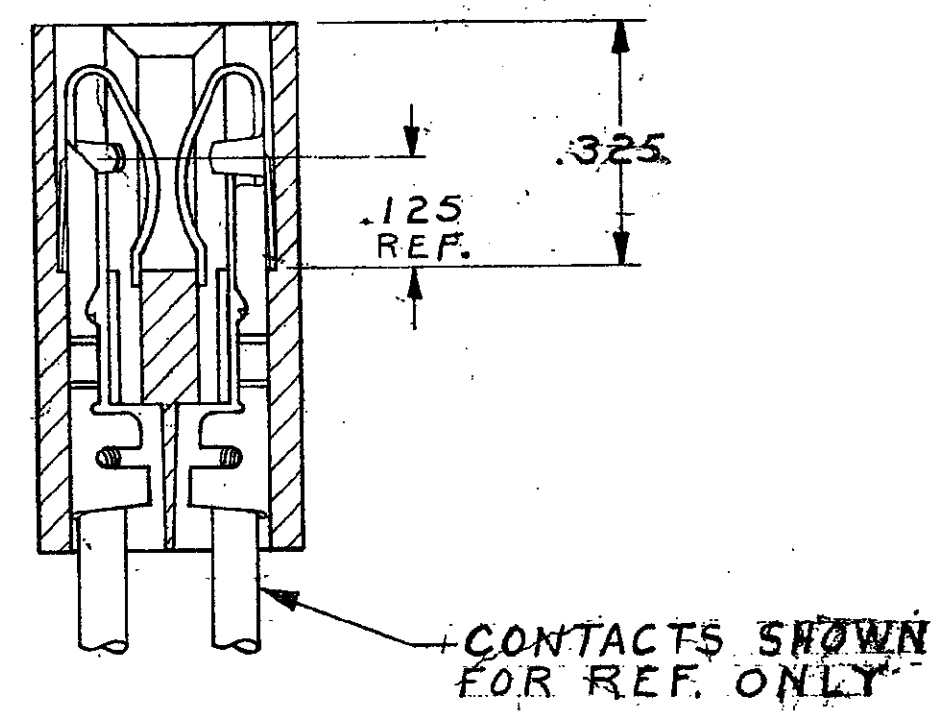


© COPYRIGHT 1970 BY AMP INCORPORATED, HARRISBURG, PA.
 ALL INTERNATIONAL RIGHTS RESERVED. AMP INCORPORATED PRODUCTS
 COVERED BY U. S. AND FOREIGN PATENTS AND/OR PATENTS PENDING.

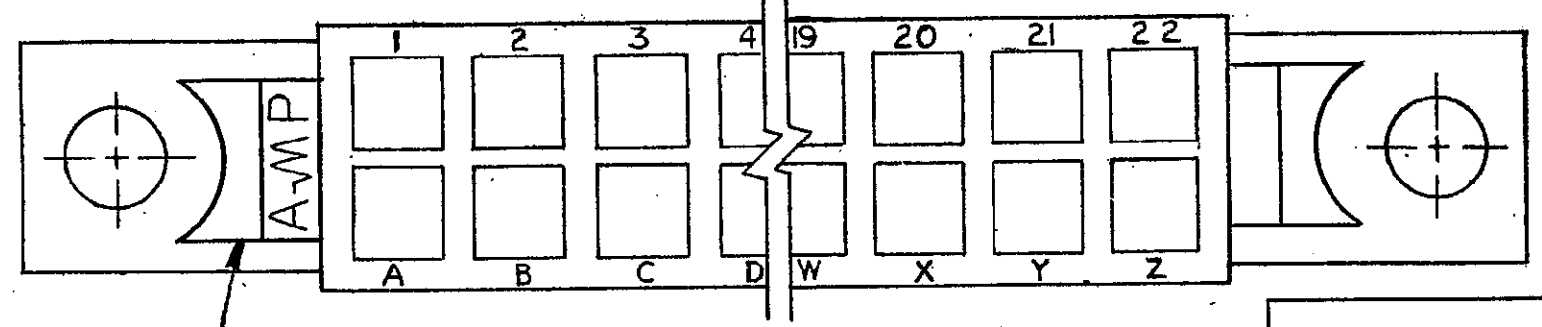
REVISIONS						
P	F	ZONE	LTR	DESCRIPTION	DATE	APPROVED
			F	REV PER 0010-0337-95	10-17-95	P.B./
			G	REV PER EC 0320-349-97	25 JAN 97	NS



- 583617-1 I. AS SHOWN
- 583617-3 I. SAME AS -1 EXCEPT:
 .156 DIA. MTG. HOLES
- 583617-6 I. SAME AS -1 EXCEPT:
 WITH SPECIAL MARKING
 ⚠
- 583617-7 I. SAME AS -3 EXCEPT:
 .180 DIA. MTG. HOLES



HOT STAMP
 AMP, PART NO. &
 DATE CODE STAMPED
 IN THIS APPROX. AREA,
 ORIENTATION OPTIONAL.
 PER 115-9009.



- ⚠ .055-.070 P.C. BOARD THICKNESS.
- ⚠ .250 ±.015 DIA. WHITE DOT INK STAMPED IN LOWER
 LEFT HAND CORNER ON EITHER SIDE OF HOUSING
- ⚠ VOID CORING PERMISSIBLE AT AMP'S OPTION REF ONLY

UNLESS OTHERWISE SPECIFIED DIMENSIONS ARE IN INCHES. TOLERANCES ON: DECIMALS ±.005 ANGLES ±1°		CONTRACT NO 11-26-80	PART NO	
MATERIAL GLASS FILLED NYLON OR POLYESTER COLOR: BLACK	FINISH	DR <i>A.M. SHARPE</i> CHK <i>D. Bushey</i> APPD <i>S. Shym</i> APPD <i>S. Rueda</i> DSGN APPD OTHER APPD	AMP INCORPORATED Harrisburg, Pa.	
		NAME HOUSING, AMP LEAF, 22 POS DUAL		
		SIZE CODE IDENT NO C 00779	DRAWING NO 583617	
		SCALE 4:1	SHEET 1 OF 1	

SECT. A-A