



Chipsmall Limited consists of a professional team with an average of over 10 year of expertise in the distribution of electronic components. Based in Hongkong, we have already established firm and mutual-benefit business relationships with customers from,Europe,America and south Asia,supplying obsolete and hard-to-find components to meet their specific needs.

With the principle of "Quality Parts,Customers Priority,Honest Operation,and Considerate Service",our business mainly focus on the distribution of electronic components. Line cards we deal with include Microchip,ALPS,ROHM,Xilinx,Pulse,ON,Everlight and Freescale. Main products comprise IC,Modules,Potentiometer,IC Socket,Relay,Connector.Our parts cover such applications as commercial,industrial, and automotives areas.

We are looking forward to setting up business relationship with you and hope to provide you with the best service and solution. Let us make a better world for our industry!



Contact us

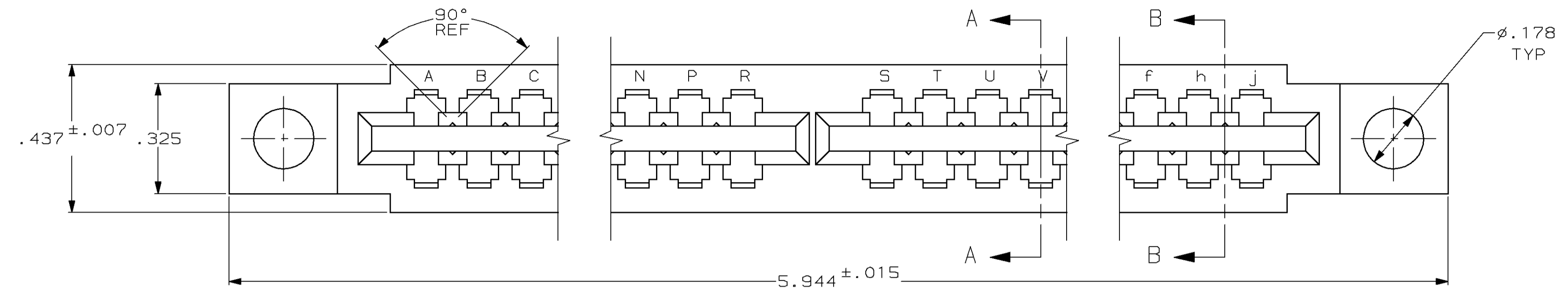
Tel: +86-755-8981 8866 Fax: +86-755-8427 6832

Email & Skype: info@chipsmall.com Web: www.chipsmall.com

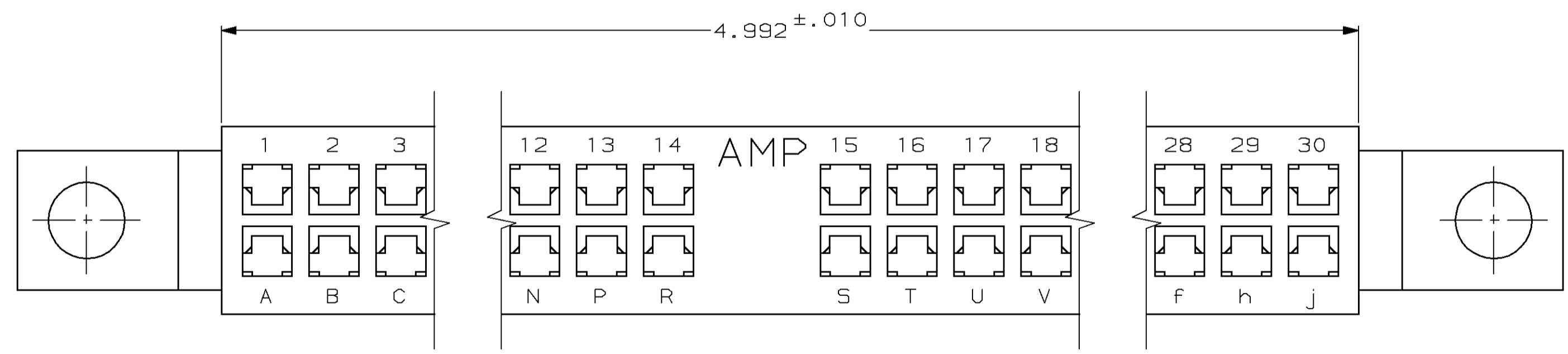
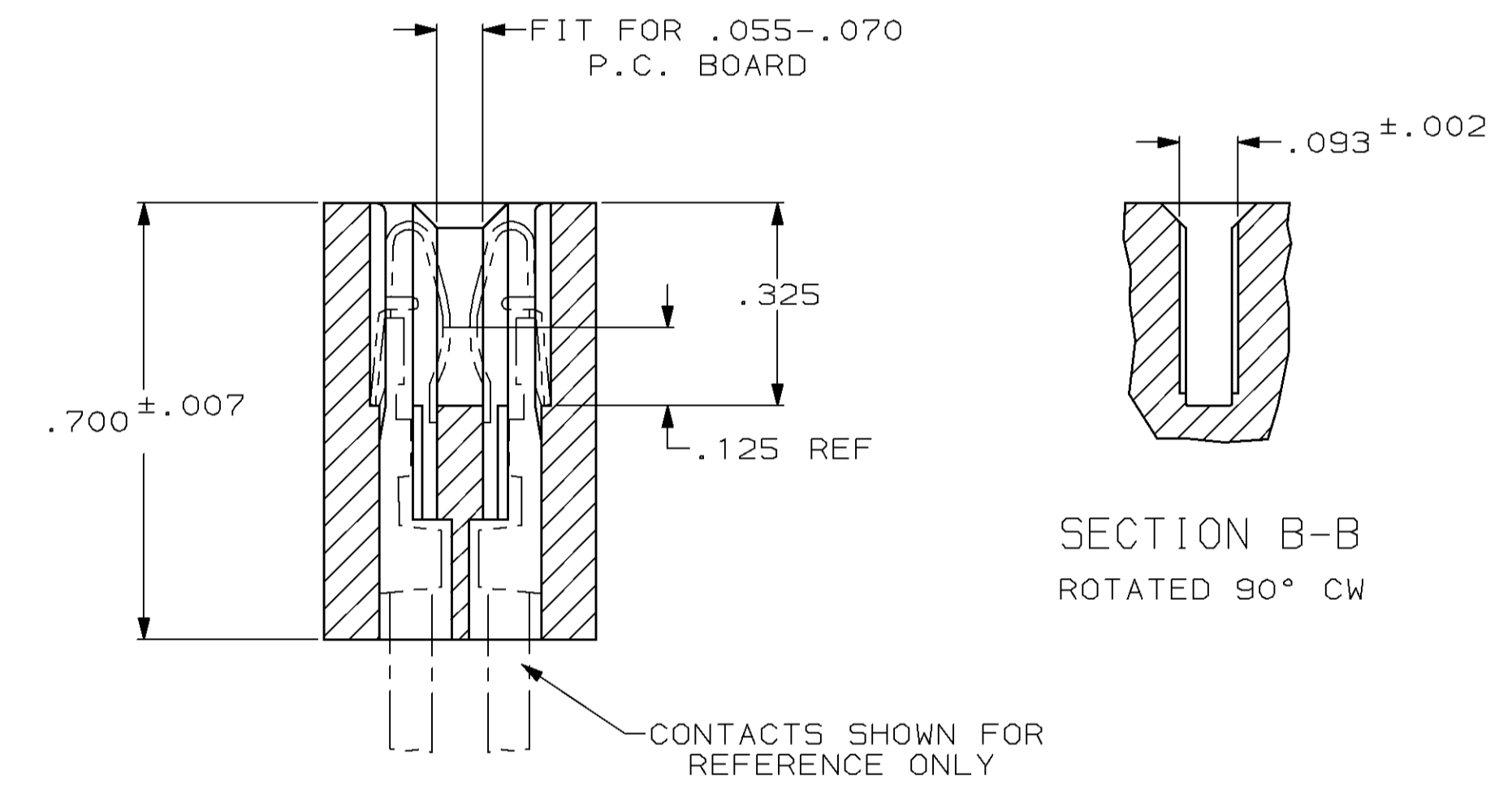
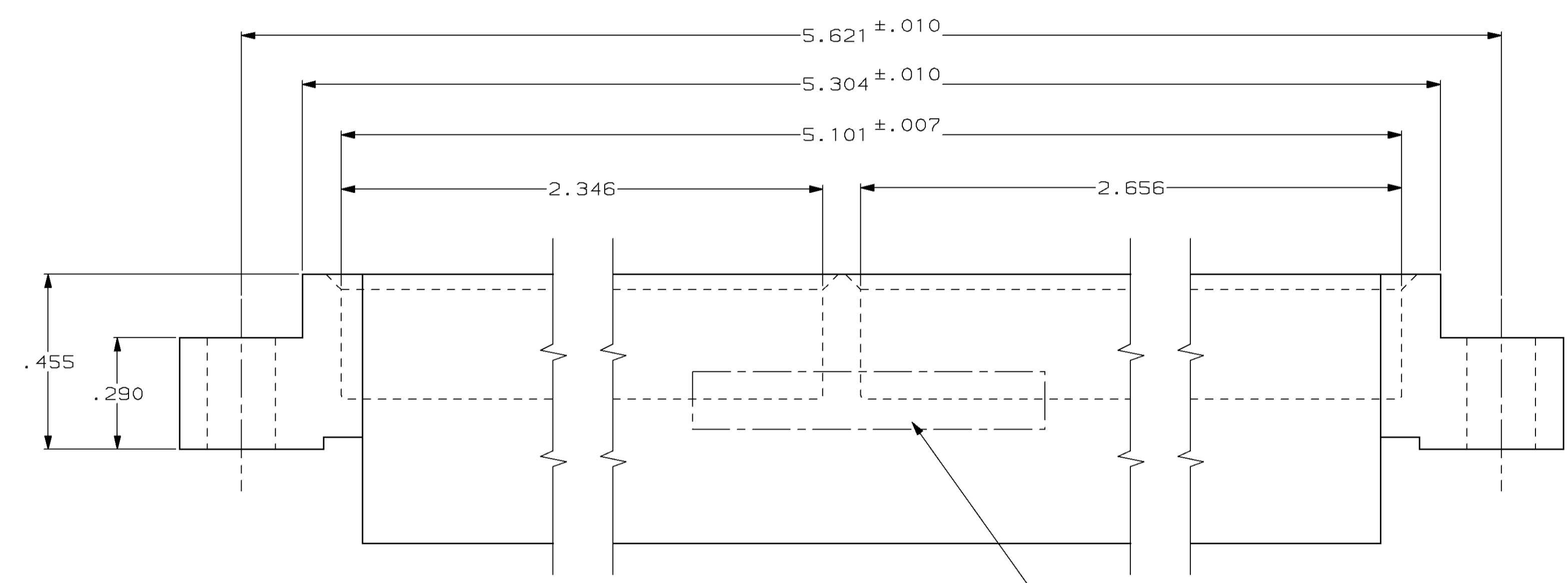
Address: A1208, Overseas Decoration Building, #122 Zhenhua RD., Futian, Shenzhen, China



LOC		Q1ST		P		F		ZONE		LTR		REVISIONS		DATE	APPD	
FT	22												N	REACTIVATED PER 92-5120-002-1	11/4/92	HR
													P	REV PER 0010-0184-92	6/9/93	RB
													R	REV PER 0010-0337-95	10-17-95	PB
													S	REV PER EC 0320-349-97	27 OCT 97	NS



△ HOT STAMP AMP PART NUMBER AND DATE CODE IN THIS AREA, PER AMP SPEC. 115-9009.



SECTION A-A
ROTATED 90° CW

SECTION B-B
ROTATED 90° CW

THIS DRAWING IS A CONTROLLED DOCUMENT FOR AMP INCORPORATED. IT IS SUBJECT TO CHANGE AND THE CONTROLLING ENGINEERING ORGANIZATION SHOULD BE CONTACTED FOR THE LATEST REVISION.

DO NOT SCALE PRINT. UNLESS SPECIFIED DIMENSIONS IN mm [INCHES] TOLERANCES ON:		DR 11/4/92 R BROWN		AS SHOWN		583631-1	
2 PLC DEC ± .005		CHK 11/26/92 H ROSE		DESCRIPTION		PART NO	
3 PLC DEC ± .005		APPD 11/26/92 H ROSE		AMP Incorporated Harrisburg, PA 17105-3608			
ANGLES ± -		APPD 11/26/92 M THUMMA					
MATERIAL POLYESTER COLOR: BLACK		PRODUCT SPEC -		NAME HOUSING, AMP LEAF 30 DUAL POSITION			
FINISH -		APPLICATION SPEC -		SIZE D	CAGE CODE 00779	DRAWING NO C= 583631	
WEIGHT -		SCALE 4:1		SHEET 1 OF 1		CUSTOMER DRAWING	