



Chipsmall Limited consists of a professional team with an average of over 10 year of expertise in the distribution of electronic components. Based in Hongkong, we have already established firm and mutual-benefit business relationships with customers from,Europe,America and south Asia,supplying obsolete and hard-to-find components to meet their specific needs.

With the principle of “Quality Parts,Customers Priority,Honest Operation,and Considerate Service”,our business mainly focus on the distribution of electronic components. Line cards we deal with include Microchip,ALPS,ROHM,Xilinx,Pulse,ON,Everlight and Freescale. Main products comprise IC,Modules,Potentiometer,IC Socket,Relay,Connector.Our parts cover such applications as commercial,industrial, and automotives areas.

We are looking forward to setting up business relationship with you and hope to provide you with the best service and solution. Let us make a better world for our industry!



Contact us

Tel: +86-755-8981 8866 Fax: +86-755-8427 6832

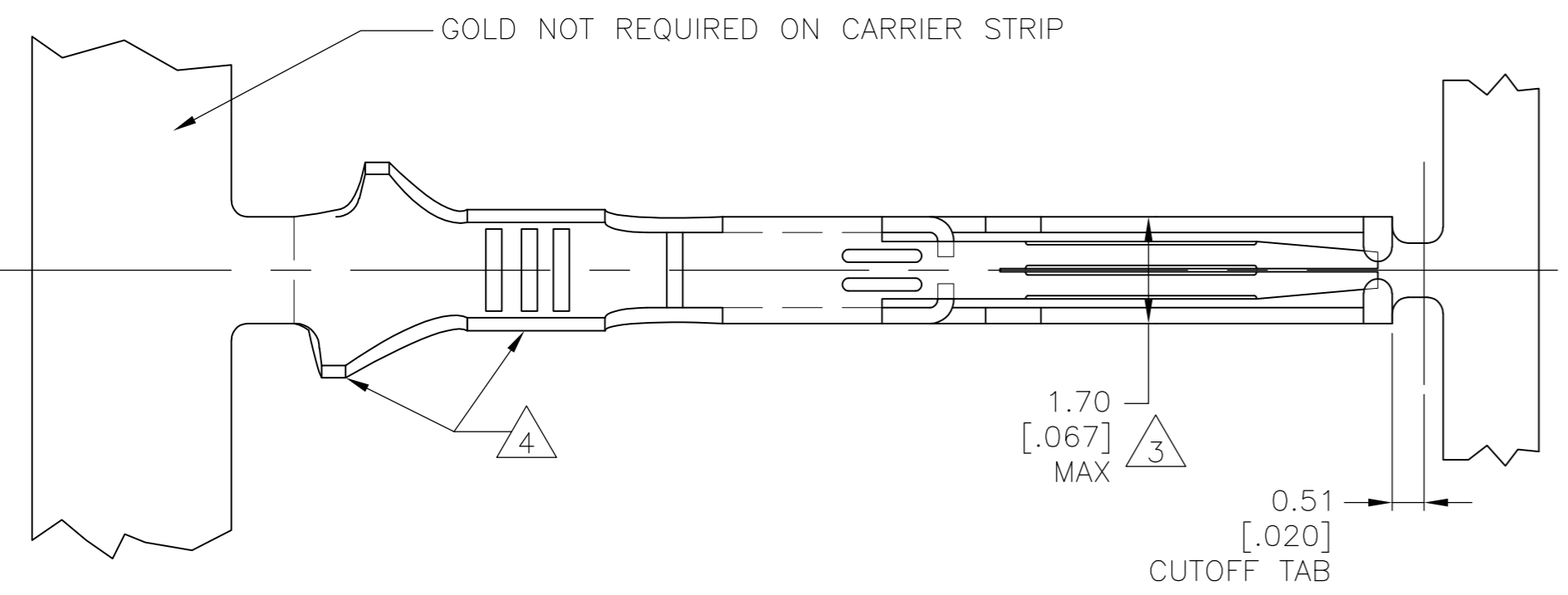
Email & Skype: info@chipsmall.com Web: www.chipsmall.com

Address: A1208, Overseas Decoration Building, #122 Zhenhua RD., Futian, Shenzhen, China

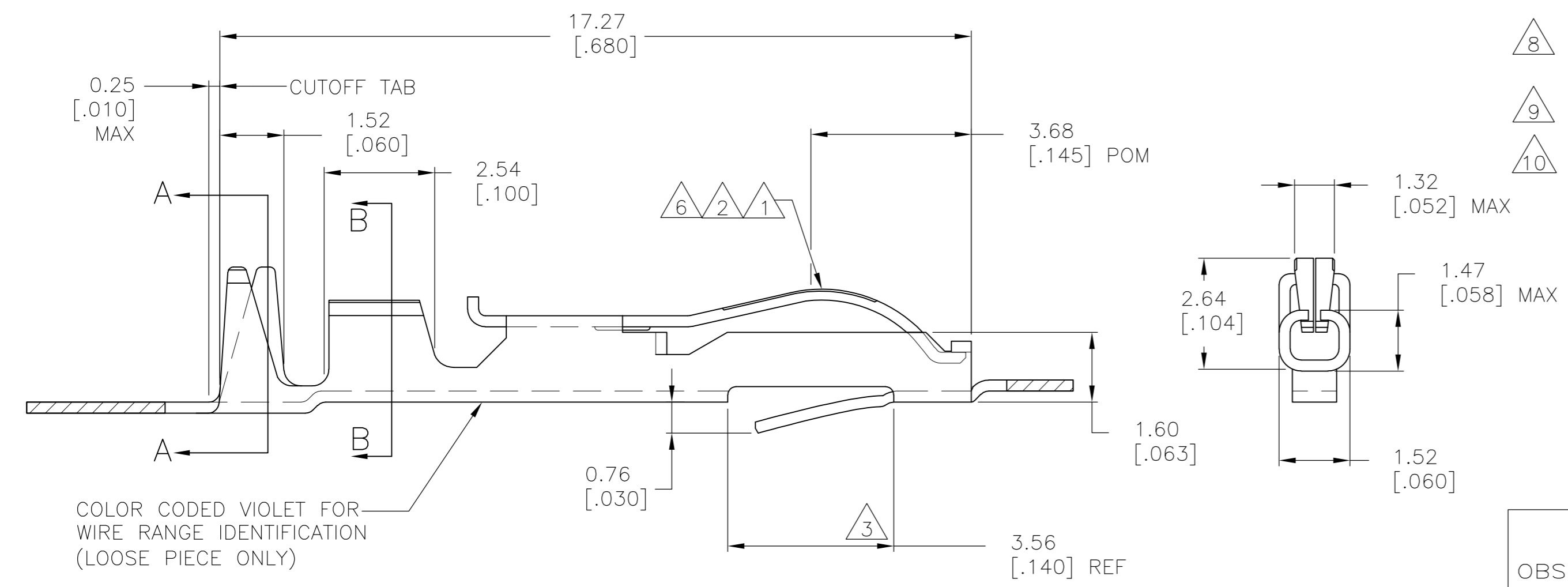


THIS DRAWING IS UNPUBLISHED. RELEASED FOR PUBLICATION
 © COPYRIGHT BY TYCO ELECTRONICS CORPORATION. ALL RIGHTS RESERVED.

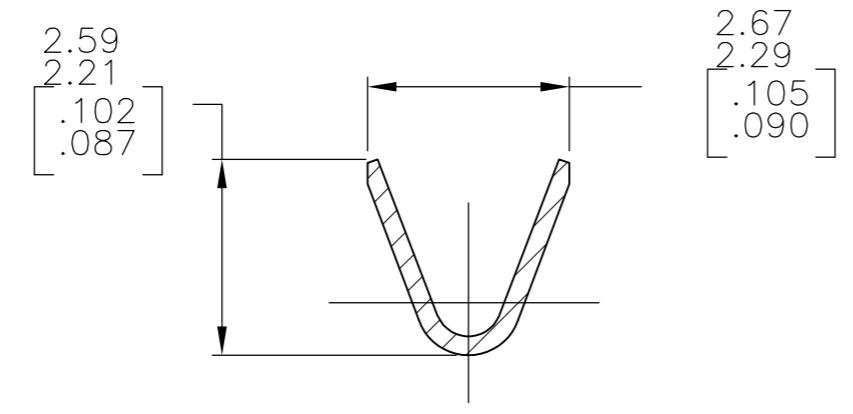
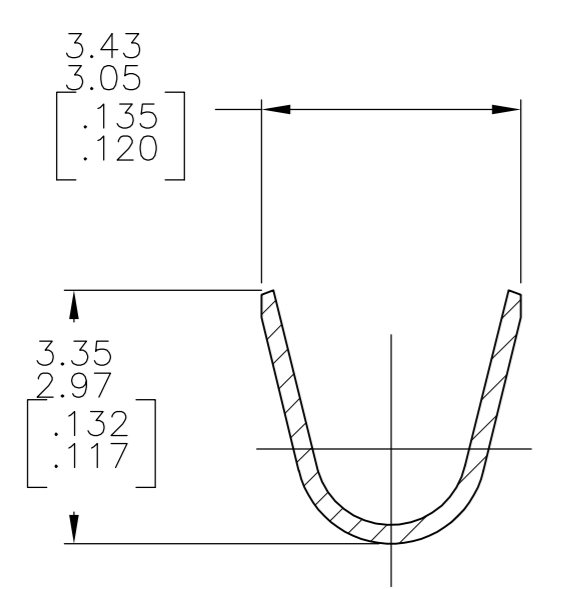
LOC		DIST		REVISIONS			
P	LTR	DESCRIPTION	DATE	DWN	APVD		
	Z	REV PER 0G3C-0515-04	05JAN05	JR	MM		
	Z1	REVISED PER ECO-09-024927	06NOV09	KK	AEG		



- 1 .000030 GOLD OVER .000030 NICKEL IN CONTACT AREA.
- 2 .000015 GOLD OVER .000030 NICKEL IN CONTACT AREA.
- 3 .067 MAX ALLOWED IN LOCKING POSITION AREA FOR .140 REF LENGTH.
- 4 TIN-LEAD IN CRIMP AREA.
- 5 OBSOLETE
- 6 .000050 GOLD OVER .000050 NICKEL IN CONTACT AREA. REMAINDER OF CONTACT GOLD FLASH OVER NICKEL.
- 7 CRIMP TWIN LEAF CONTACTS WITH 22-18 AWG WIRE RANGE TO BE USED ONLY WITH .125CL & .156CL CRIMP TWIN LEAF HOUSINGS.
- 8 UNPLATED PARTS IN STRIP FORM REELED ON CORRUGATED REEL FOR SALABLE PART.
- 9 TIN IN CRIMP AREA.
- 10 OBSOLETE PARTS: OBSOLETE CIS STREAMLINING PER D.RENAUD/D.SINISI



COLOR CODED VIOLET FOR WIRE RANGE IDENTIFICATION (LOOSE PIECE ONLY)



SECTION B-B
WIRE RANGE
#22-#18 AWG

OBSOLETE	5-583649-3	583649-8	1 9	10 5-583649-6
	5-583649-2	583649-9	2 9	10 5-583649-5
OBSOLETE	1-583649-1	-	8	-
	583649-4	1-583649-0	6	10 583649-7
OBSOLETE	583649-3	583649-8	1 4	583649-6
OBSOLETE	583649-2	583649-9	2 4	10 583649-5
	STRIP PART # STD REELING LEFT TO RIGHT	STRIP PART # REELING RIGHT TO LEFT	FINISH	LOOSE PIECE

THIS DRAWING IS A CONTROLLED DOCUMENT.

DWN: A. STAUB BG 02AUG93
 CHK: H ROSE 18FEB94
 APVD: H ROSE 18FEB94

Tyco Electronics
 Tyco Electronics Corporation
 Harrisburg, PA 17105-3608

NAME: CONTACT-TWIN LEAF (CRIMP-SNAP)

SIZE: A2 CAGE CODE: 00779 DRAWING NO: 583649 RESTRICTED TO: -

MATERIAL: PHOS BRONZE FINISH: SEE TABLE WEIGHT: - SCALE: 10:1 SHEET: 1 of 1 REV: Z1

PRODUCT SPEC: - APPLICATION SPEC: -

TOLERANCES UNLESS OTHERWISE SPECIFIED:
 0 PLC ± -
 1 PLC ± -
 2 PLC ± -
 3 PLC ± .005
 4 PLC ± -
 ANGLES ± -

CUSTOMER DRAWING

583649

A