



Chipsmall Limited consists of a professional team with an average of over 10 year of expertise in the distribution of electronic components. Based in Hongkong, we have already established firm and mutual-benefit business relationships with customers from,Europe,America and south Asia,supplying obsolete and hard-to-find components to meet their specific needs.

With the principle of "Quality Parts,Customers Priority,Honest Operation,and Considerate Service",our business mainly focus on the distribution of electronic components. Line cards we deal with include Microchip,ALPS,ROHM,Xilinx,Pulse,ON,Everlight and Freescale. Main products comprise IC,Modules,Potentiometer,IC Socket,Relay,Connector.Our parts cover such applications as commercial,industrial, and automotives areas.

We are looking forward to setting up business relationship with you and hope to provide you with the best service and solution. Let us make a better world for our industry!



## Contact us

Tel: +86-755-8981 8866 Fax: +86-755-8427 6832

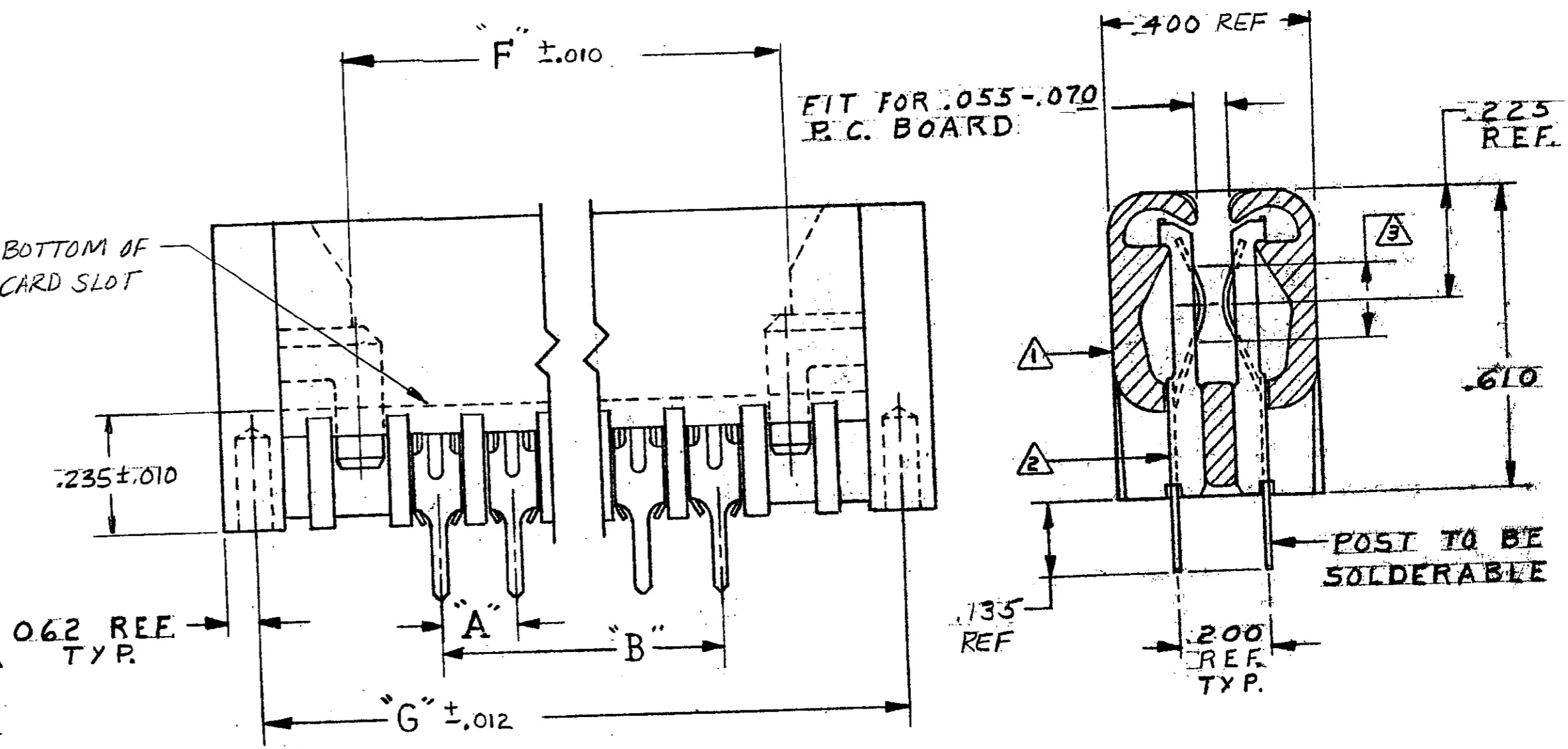
Email & Skype: info@chipsmall.com Web: www.chipsmall.com

Address: A1208, Overseas Decoration Building, #122 Zhenhua RD., Futian, Shenzhen, China



| REVISIONS |     |                            |         |           |
|-----------|-----|----------------------------|---------|-----------|
| ZONE      | LTR | DESCRIPTION                | DATE    | APPROVED  |
|           | Y   | REV PER OG3C-0166-02       | 25JUN02 | MM        |
|           | Y1  | REVISED PER -ECO-09-026444 | 27NOV09 | KK<br>AEG |

| PART NO    | NO. OF POS. | A    | B     | F     | G     |
|------------|-------------|------|-------|-------|-------|
| 583660-1   | 36          | .156 | 5.460 | 5.772 | 6.248 |
| -2         | 15          |      | 2.184 | 2.496 | 2.942 |
| -3         | 3           |      | .312  | .624  | 1.070 |
| -4         | 4           |      | .468  | .780  | 1.226 |
| -5         | 5           |      | .624  | .936  | 1.382 |
| -6         | 6           |      | .780  | 1.092 | 1.538 |
| -7         | 7           |      | .936  | 1.248 | 1.694 |
| -8         | 8           |      | 1.092 | 1.404 | 1.850 |
| -9         | 9           |      | 1.248 | 1.560 | 2.006 |
| 1-583660-0 | 10          |      | 1.404 | 1.716 | 2.162 |
| -11        | 11          |      | 1.560 | 1.872 | 2.318 |
| -12        | 12          |      | 1.716 | 2.028 | 2.474 |
| -13        | 13          |      | 1.872 | 2.184 | 2.630 |
| -14        | 14          |      | 2.028 | 2.340 | 2.786 |
| -15        | 15          |      | 2.340 | 2.652 | 3.098 |
| -16        | 16          |      | 2.496 | 2.808 | 3.254 |
| -17        | 17          |      | 2.652 | 2.964 | 3.410 |
| -18        | 18          |      | 2.808 | 3.120 | 3.566 |
| -19        | 19          |      | 2.964 | 3.276 | 3.722 |
| -20        | 20          |      | 3.120 | 3.432 | 3.878 |
| 2-583660-0 | 21          |      | 3.276 | 3.588 | 4.034 |
| -22        | 22          |      | 3.432 | 3.744 | 4.190 |
| -23        | 23          |      | 3.588 | 3.900 | 4.346 |
| -24        | 24          |      | 3.744 | 4.056 | 4.502 |
| -25        | 25          |      | 3.900 | 4.212 | 4.658 |
| -26        | 26          |      | 4.056 | 4.368 | 4.814 |
| -27        | 27          |      | 4.212 | 4.524 | 4.970 |
| -28        | 28          |      | 4.368 | 4.680 | 5.126 |
| -29        | 29          |      | 4.524 | 4.836 | 5.282 |
| -30        | 30          |      | 4.680 | 4.992 | 5.438 |
| 3-583660-0 | 31          |      | 4.836 | 5.148 | 5.594 |
| -32        | 32          |      | 4.992 | 5.304 | 5.750 |
| -33        | 33          |      | 5.148 | 5.460 | 5.906 |
| -34        | 34          |      | 5.304 | 5.616 | 6.062 |
| -35        | 35          |      | 5.460 | 5.772 | 6.218 |
| -36        | 36          |      | 5.616 | 5.928 | 6.374 |
| -37        | 37          |      | 5.772 | 6.084 | 6.530 |
| -38        | 38          |      | 5.928 | 6.240 | 6.686 |
| -39        | 39          |      | 6.084 | 6.396 | 6.842 |
| -40        | 40          |      | 6.240 | 6.552 | 6.998 |
| -41        | 41          |      | 6.396 | 6.708 | 7.154 |
| 4-583660-0 | 42          |      | 6.552 | 6.864 | 7.310 |
| -43        | 43          |      | 6.708 | 7.020 | 7.466 |
| -44        | 44          |      | 6.864 | 7.176 | 7.622 |
| -45        | 45          |      | 7.020 | 7.332 | 7.778 |
| -46        | 46          |      | 7.176 | 7.488 | 7.934 |
| -47        | 47          |      | 7.332 | 7.644 | 8.090 |
| -48        | 48          |      | 7.488 | 7.800 | 8.246 |
| 4-583660-8 | 50          | .156 | 7.644 | 7.956 | 8.402 |

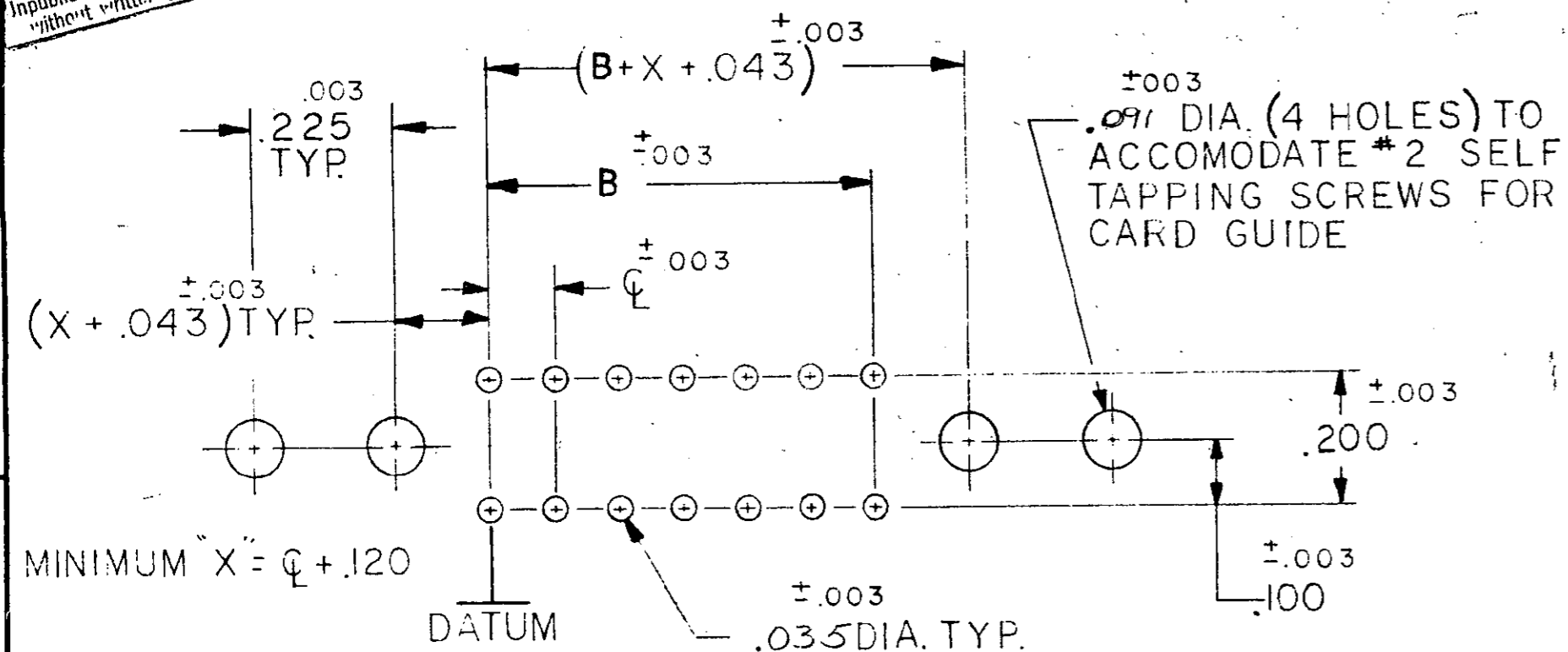


- ① GLASS FILLED POLYESTER, COLOR-BLACK
- ② PHOSPHOR BRONZE
- ③ .000015 GOLD, SELECTIVE
- ④ OBSOLETE PARTS: OBSOLETE CIS STREAMLINING PER D.RENAUD/D.SINISI

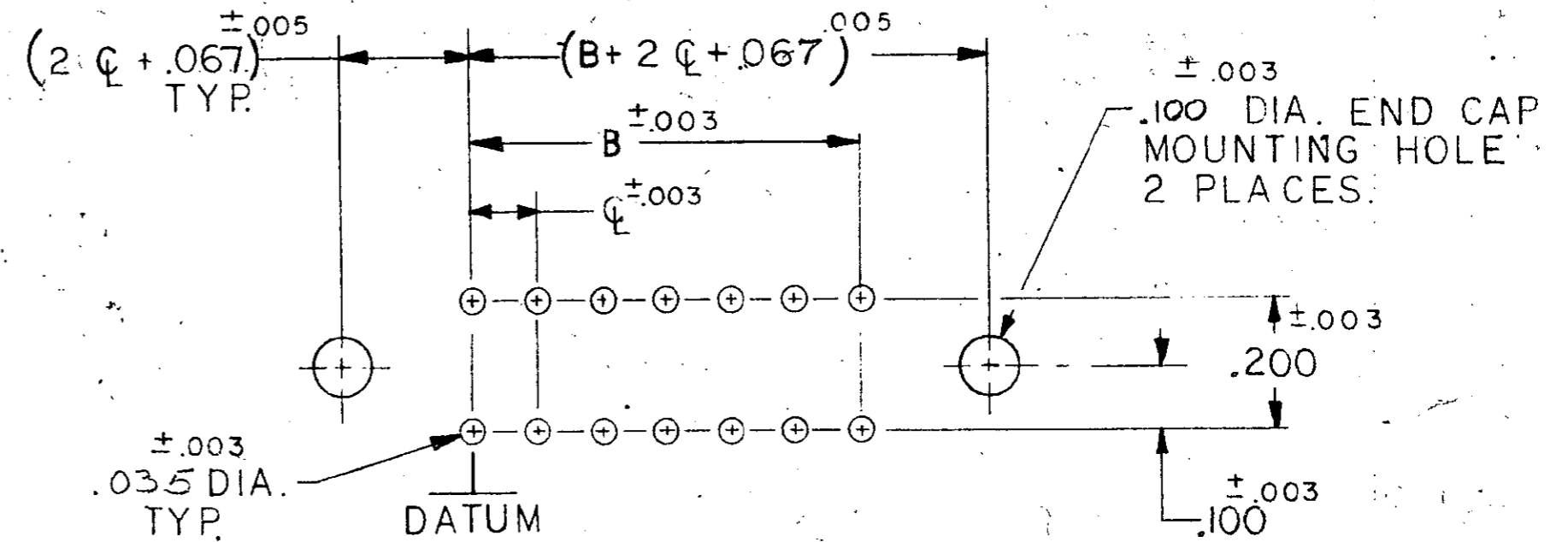
|  |                                   |  |                      |
|--|-----------------------------------|--|----------------------|
| UNLESS OTHERWISE SPECIFIED, DIMENSIONS ARE IN INCHES TOLERANCES ON DECIMALS ±.005 ANGLES ± | CONTRACT NO.                      | AMP INCORPORATED HARRISBURG, PENNSYLVANIA  |                      |
|  | DR <i>Quirk</i> 1-30-73           | NAME HOUSING ASSEMBLY, TWIN LEAF, .156 Q. .010X.024, SOLDER TYPE POST, END CAP VERSION |                      |
|  | CHK <i>M. Ziegler</i> 2-5-73      | SIZE C   | CODE IDENT NO. 00779 |
|  | APPD <i>Larry M. Brown</i> 2-5-73 | NUMBER 583660  | SHEET 1 OF 2 SHTS.   |
| MATERIAL SEE CALLOUT   | REL <i>R. G. Dunning</i> 3/13/73  | SCALE #  | CUSTOMER DRAWING     |
|  | DSGN APPD                         |  |                      |
|  | OTHER APPD                        |  |                      |

Unpublished copy without written permission of AMP

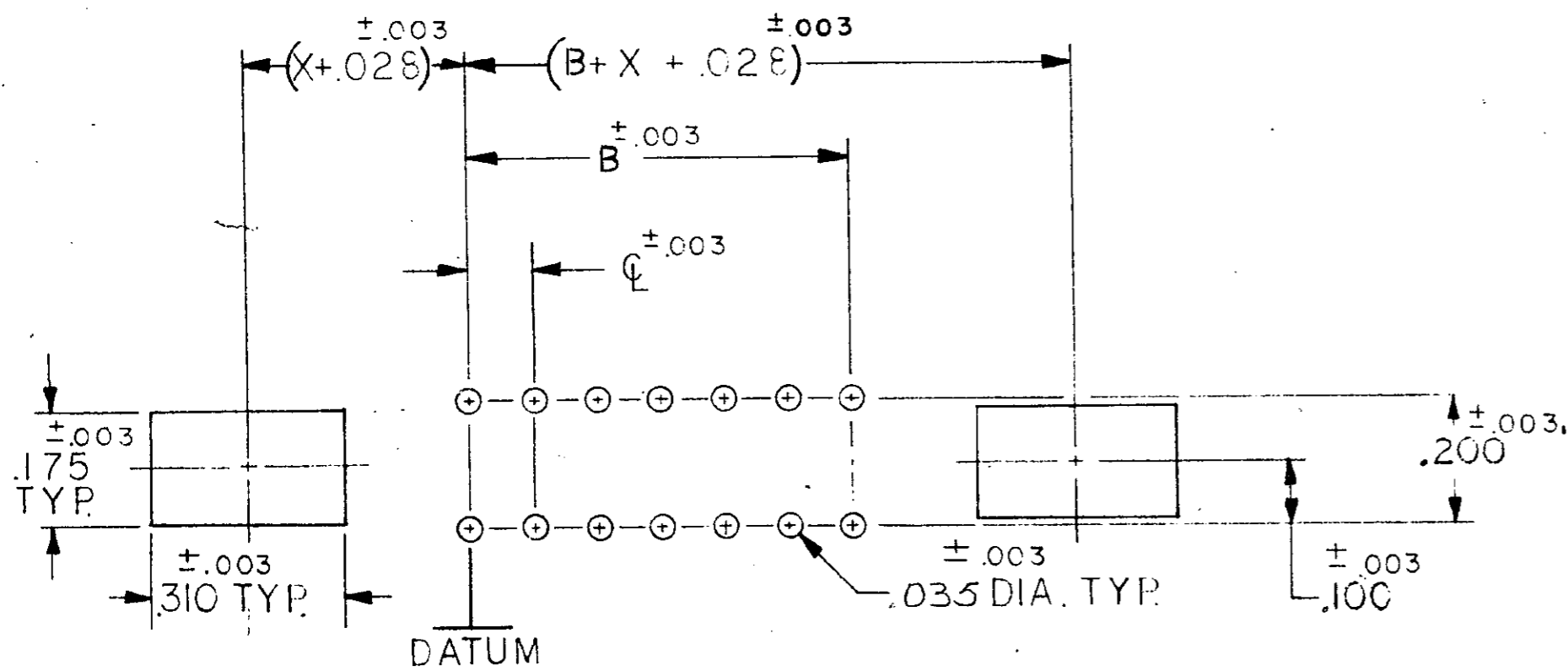
| REVISIONS   |     |             |      |          |
|-------------|-----|-------------|------|----------|
| ZONE        | LTR | DESCRIPTION | DATE | APPROVED |
| SEE SHEET 1 |     |             |      |          |



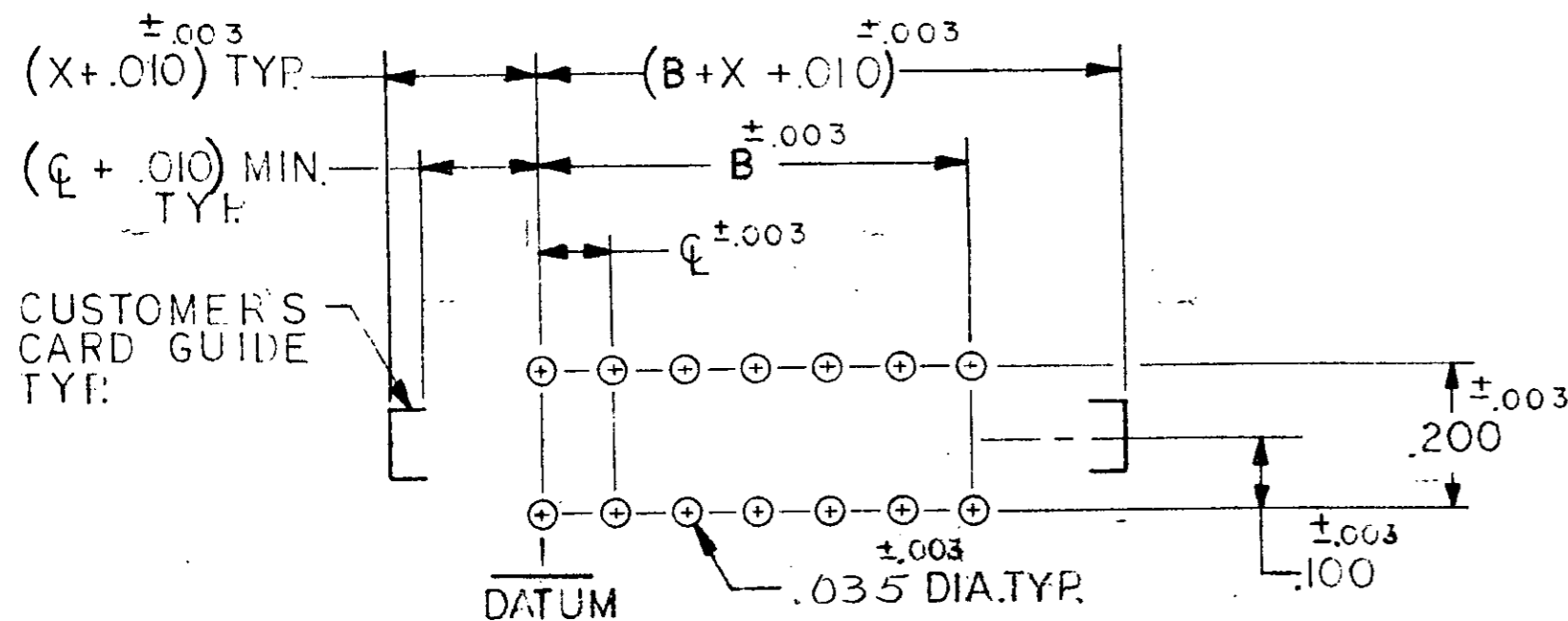
BOARD LAYOUT FOR USE WITH AMP CARD GUIDE PART NO. 583671



BOARD LAYOUT FOR USE WITH END CAP



BOARD LAYOUT FOR USE WITH AMP CARD GUIDE PART NO. 583408 CR 583425

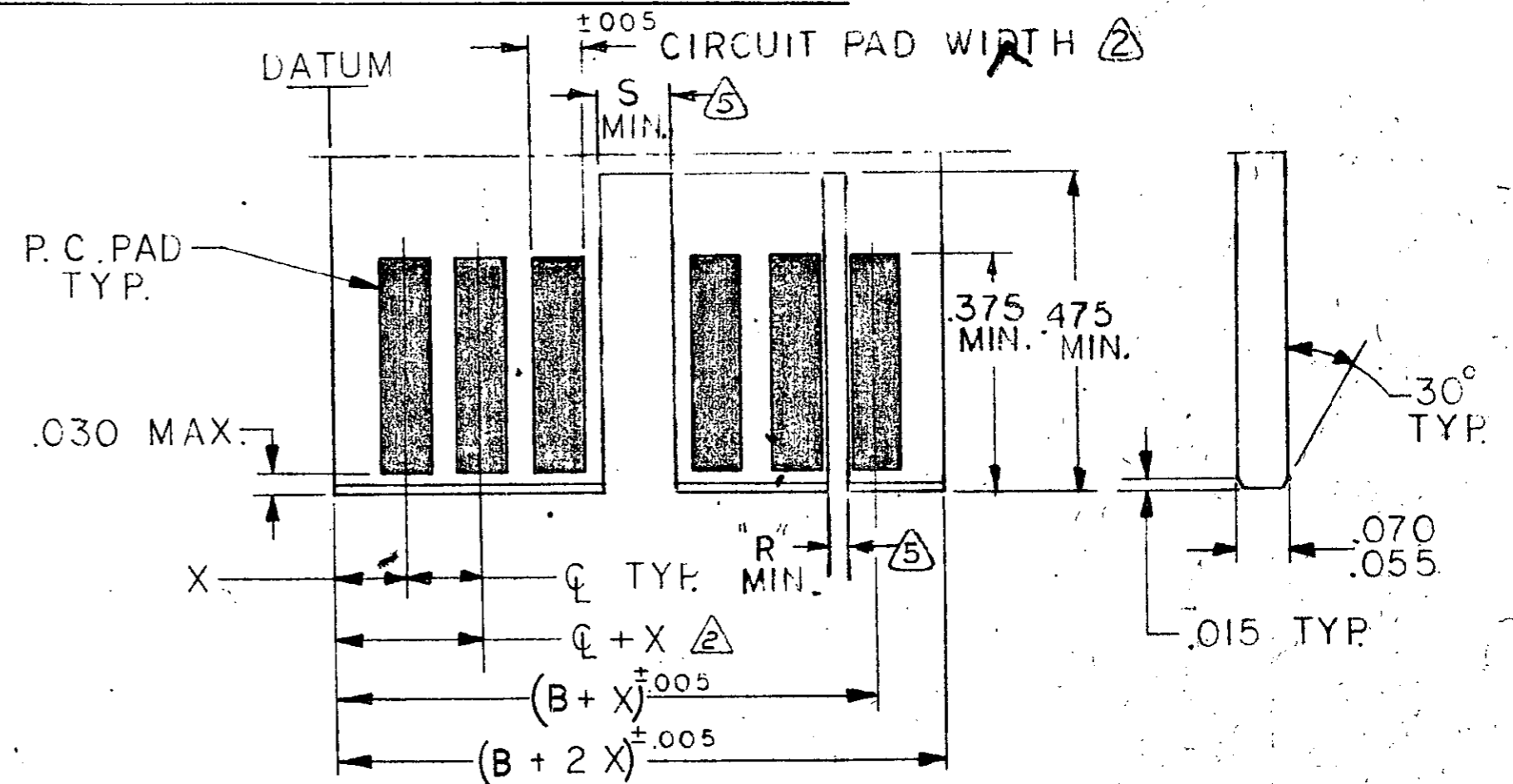


BOARD LAYOUT FOR USE WITH CUSTOMER SUPPLIED CARD GUIDE

THE SLOT FOR INTER-CONTACT KEYING PLUGS MUST BE CENTERED BETWEEN THE PRINTED CIRCUIT PADS, WHILE THE SLOT FOR ON-CONTACT KEYING PLUGS MUST BE CENTERED ON THE AREA OF A PRINTED CIRCUIT PAD.

| INTER-CONTACT KEYING PLUG. | "R" FOR CENTER LINE SPACING | "S" FOR CENTER LINE SPACING |
|----------------------------|-----------------------------|-----------------------------|
| 530030-1                   | .050                        | .125-.150-.156              |
| 530030-2                   | .040                        | .100                        |

| ON CONTACT KEYING PLUG. | "S" FOR CENTER LINE SPACING |
|-------------------------|-----------------------------|
| 583714-1                | .129 .100-.125              |
| 583714-2                | .160 .150-.156              |



DAUGHTER BOARD LAYOUT

- MAX. ALLOWABLE WARPAGE OF MOTHER BOARD NOT TO EXCEED .005/IN.
- MAX. ALLOWABLE BOW OF DAUGHTER BOARD NOT TO EXCEED .010/IN. THICKNESS OF MOTHER BOARD IS .062 FOR DOUBLE SLOTTED CARD GUIDES AND .104 MAX. FOR ALL OTHER MOUNTING CONDITIONS.
- EACH PAD LOCATION INCREASES BY C ±.005 WITH A NON-CUMULATIVE TOLERANCE OF ±.005.
- CIRCUIT PAD WIDTH - .045 FOR .100 C  
.072 FOR .125 C  
.072 FOR .150 C  
.080 FOR .156 C
- DIMENSIONS APPLY TO BOTH SIDES OF DAUGHTER BOARD.
- C INCREMENTS ON MOTHER BOARD HAVE ±.003 NON-CUMULATIVE TOLERANCE.
- X IS A CUSTOMER CONTROLLED DIMENSION EXCEPT FOR END CAP ASSEMBLIES WHERE X = C - .008

|   |                                      |   |
|---|--------------------------------------|---|
| UNLESS OTHERWISE SPECIFIED, DIMENSIONS ARE IN INCHES TOLERANCES ON : DECIMALS ± .005 ANGLES ± | CONTRACT NO.                         | <b>AMP</b><br>AMP INCORPORATED<br>HARRISBURG, PENNSYLVANIA      |
|   | DR<br><i>Prunkle 1-30-73</i>         |   |
| MATERIAL  | CHK<br><i>M Ziegler 2-5-73</i>       | NAME<br>HOUSING ASSEMBLY<br>TWIN LEAF CONNECTOR<br>.156 CENTERS |
|   | APPD<br><i>Larry M Brown 2-14-73</i> | REL<br><i>T.G. Frump 3/13/73</i>                                |
|   | DSGN APPD                            | SIZE<br>C   |
|   | OTHER APPD                           | CODE IDENT NO.<br>00779   |
|   |                                      | NUMBER<br>583660  |
|   |                                      | SCALE #   |
|   |                                      | SHEET 2 OF 2 SHTS.  |