



Chipsmall Limited consists of a professional team with an average of over 10 year of expertise in the distribution of electronic components. Based in Hongkong, we have already established firm and mutual-benefit business relationships with customers from,Europe,America and south Asia,supplying obsolete and hard-to-find components to meet their specific needs.

With the principle of “Quality Parts,Customers Priority,Honest Operation,and Considerate Service”,our business mainly focus on the distribution of electronic components. Line cards we deal with include Microchip,ALPS,ROHM,Xilinx,Pulse,ON,Everlight and Freescale. Main products comprise IC,Modules,Potentiometer,IC Socket,Relay,Connector.Our parts cover such applications as commercial,industrial, and automotives areas.

We are looking forward to setting up business relationship with you and hope to provide you with the best service and solution. Let us make a better world for our industry!



Contact us

Tel: +86-755-8981 8866 Fax: +86-755-8427 6832

Email & Skype: info@chipsmall.com Web: www.chipsmall.com

Address: A1208, Overseas Decoration Building, #122 Zhenhua RD., Futian, Shenzhen, China

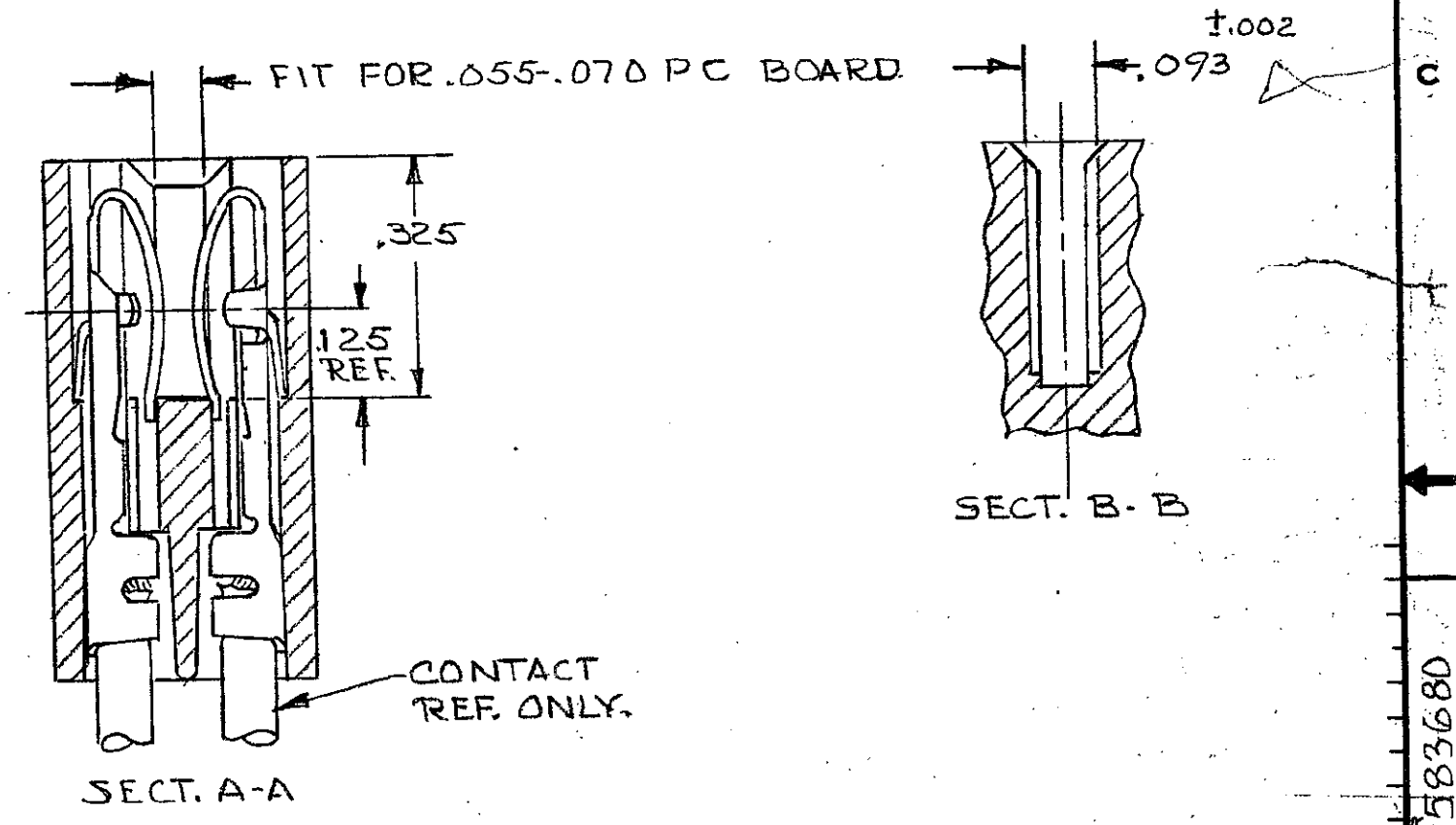
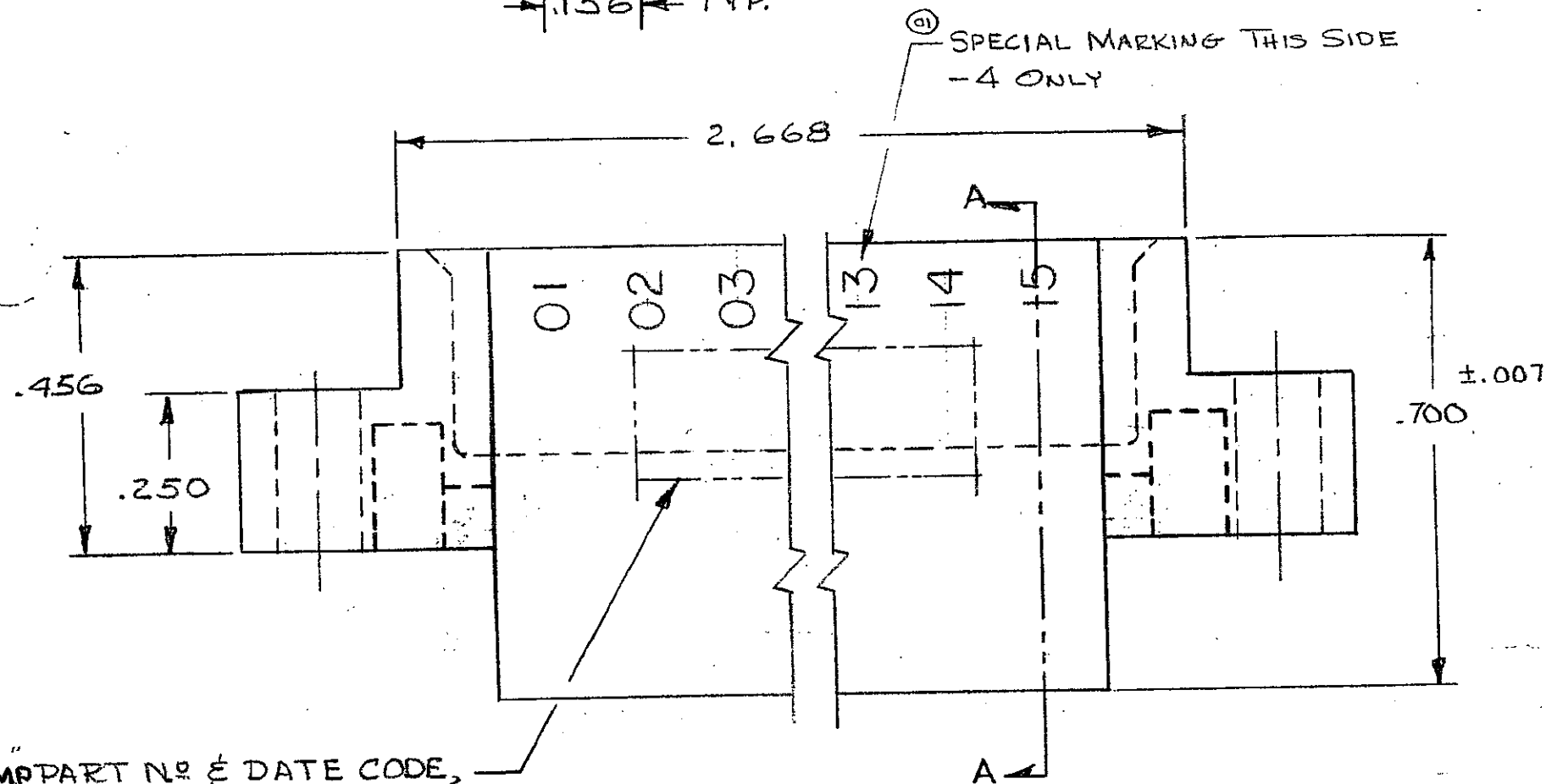
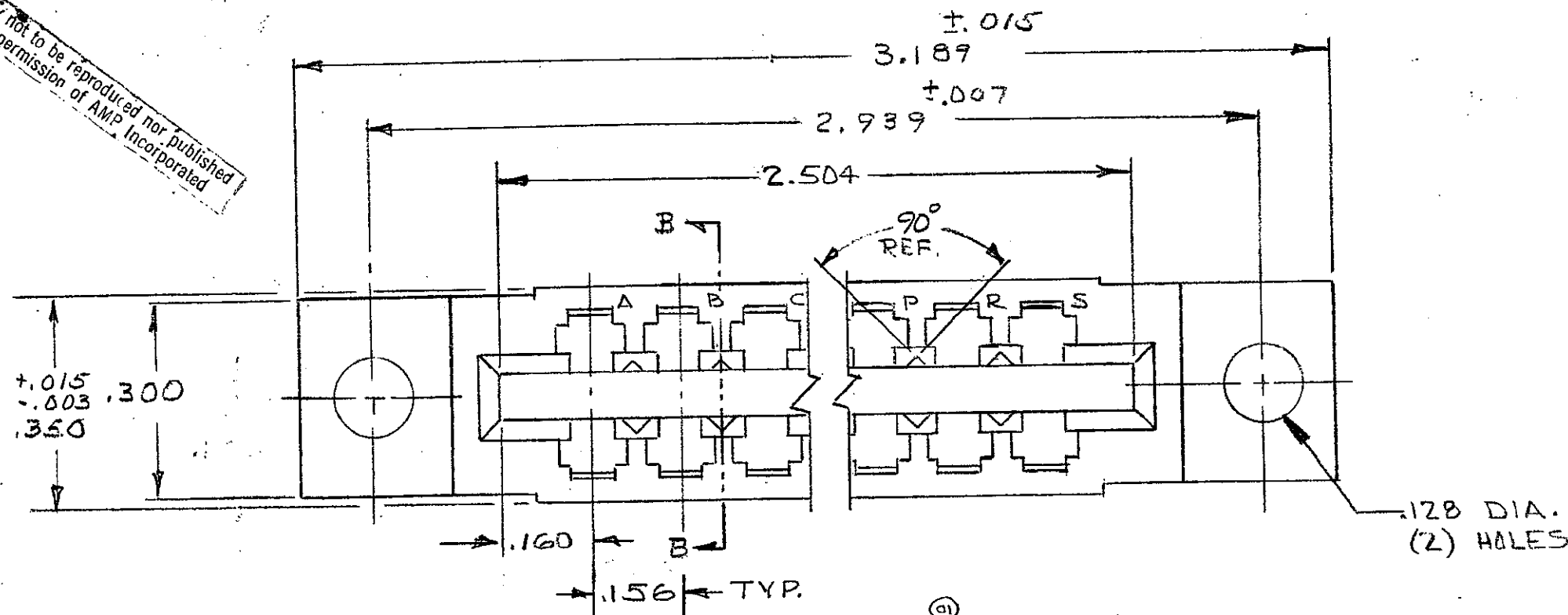


© 1970 BY AMP INCORPORATED. ALL RIGHTS RESERVED. AMP PRODUCTS COVERED BY PATENTS AND/OR PATENTS PENDING.

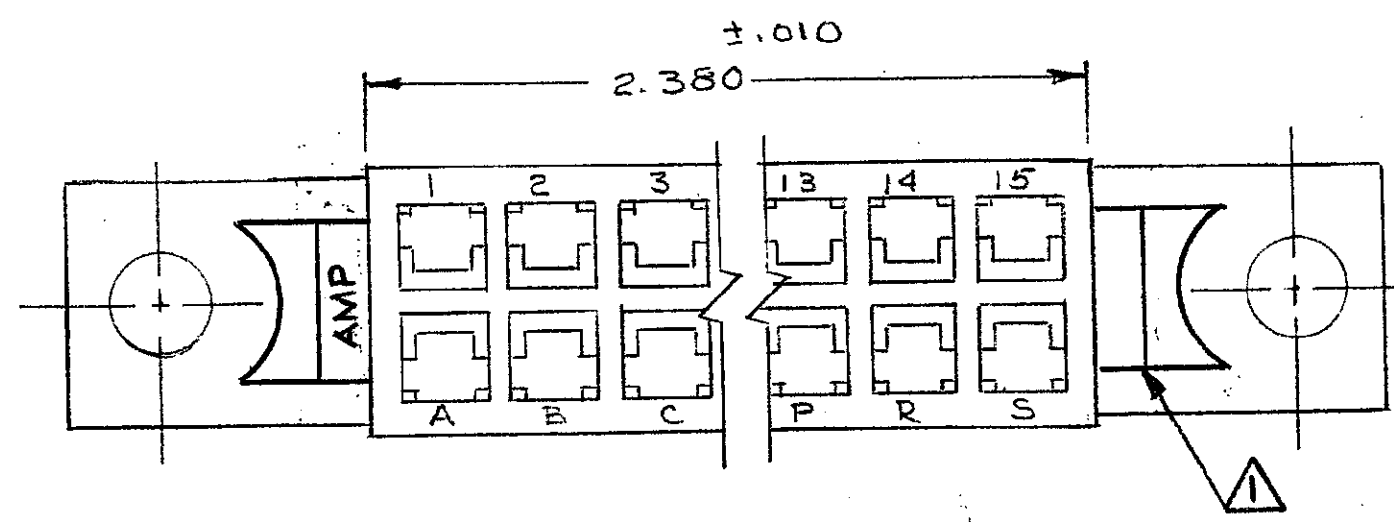
583680-1: 1.A.S SHOWN

OBSOLETE ~~583680-4:1 SPECIAL MARKING~~

REVISIONS				
ZONE	LTR	DESCRIPTION	DATE	APPROVED
	0	RELEASED WAS 5112-236-1 CUST.	JW 12-30-70	D.H.
	a1	ADDED - 4 \pm SPECIAL MKG (-4 WAS 5112-280)	DRF 11-10-71	D.H.
	A	REVISED MAT'L 4657	DR 1-9-74	DR M.S.
	B	REV PER ADO702	5/13/85	CP / [unclear]
	C	REV PER AD 2118	3/88	LEW
	D	REV PER AD 3180	1/89	W / [unclear]
	E	REV PER 0010-0337-95	10-17-95	P.B.
	F	REV PER EC 0320-349-97	25 NOV 97	NS



HOT STAMP PART NO & DATE CODE, IN THIS AREA, PER 115-9009.



VOID CORING PERMISSIBLE AT AMP'S OPTION REF ONLY

UNLESS OTHERWISE SPECIFIED, DIMENSIONS ARE IN INCHES TOLERANCES ON: DECIMALS \pm .005 ANGLES \pm		CONTRACT NO.		AMP INCORPORATED HARRISBURG, PENNSYLVANIA	
MATERIAL GLASS FILLED NYLON OR POLYESTER COLOR: BLACK		DR <i>Runkle</i> 2-10-70	NAME HOUSING, AMP LEAF, 15 DUAL.		
		CHK <i>S. Heide</i> 1-5-71	NUMBER 583680		
		APPD <i>J Kaufman</i> 1-6-71	SIZE C	CODE IDENT NO. 00779	
		REL <i>Heide</i> 1-6-71	SCALE 4-1		SHEET 1 OF 1
		DSGN APPD	CUSTOMER DRAWING		
		OTHER APPD			

This drawing is not to be reproduced nor published without written permission of AMP Incorporated

NUMBER 583680