



Chipsmall Limited consists of a professional team with an average of over 10 year of expertise in the distribution of electronic components. Based in Hongkong, we have already established firm and mutual-benefit business relationships with customers from,Europe,America and south Asia,supplying obsolete and hard-to-find components to meet their specific needs.

With the principle of “Quality Parts,Customers Priority,Honest Operation,and Considerate Service”,our business mainly focus on the distribution of electronic components. Line cards we deal with include Microchip,ALPS,ROHM,Xilinx,Pulse,ON,Everlight and Freescale. Main products comprise IC,Modules,Potentiometer,IC Socket,Relay,Connector.Our parts cover such applications as commercial,industrial, and automotives areas.

We are looking forward to setting up business relationship with you and hope to provide you with the best service and solution. Let us make a better world for our industry!



Contact us

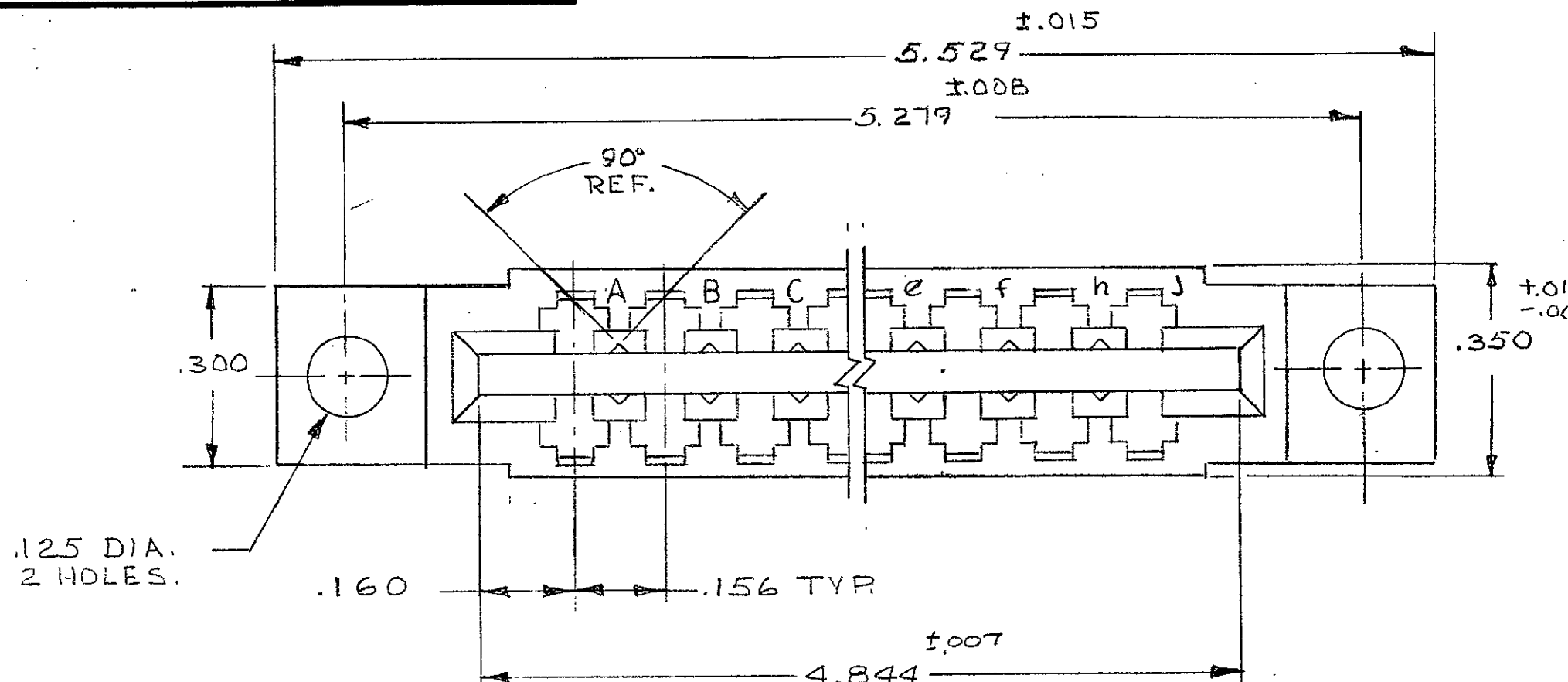
Tel: +86-755-8981 8866 Fax: +86-755-8427 6832

Email & Skype: info@chipsmall.com Web: www.chipsmall.com

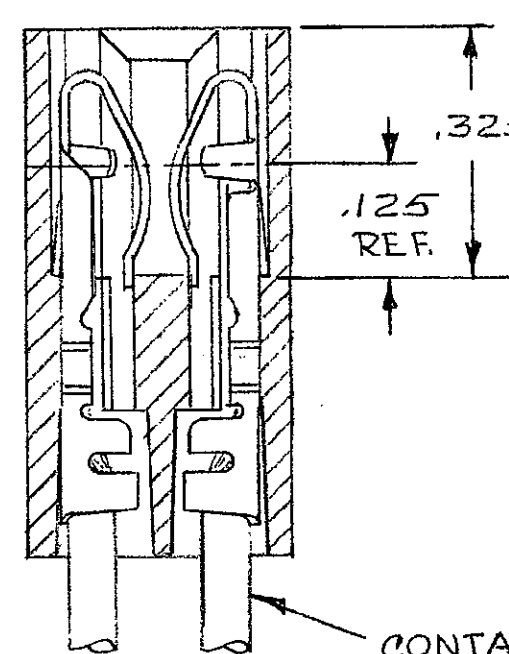
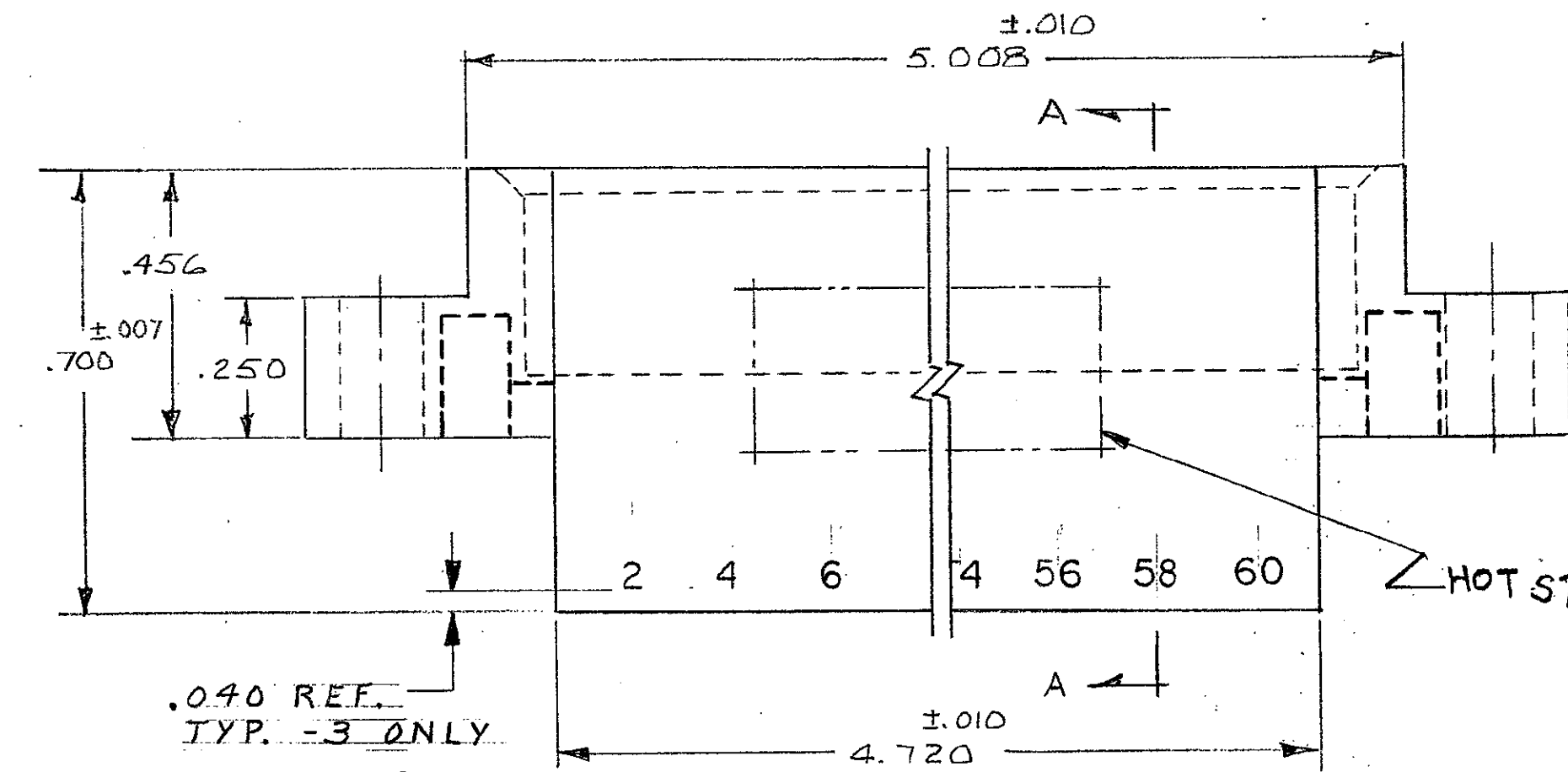
Address: A1208, Overseas Decoration Building, #122 Zhenhua RD., Futian, Shenzhen, China



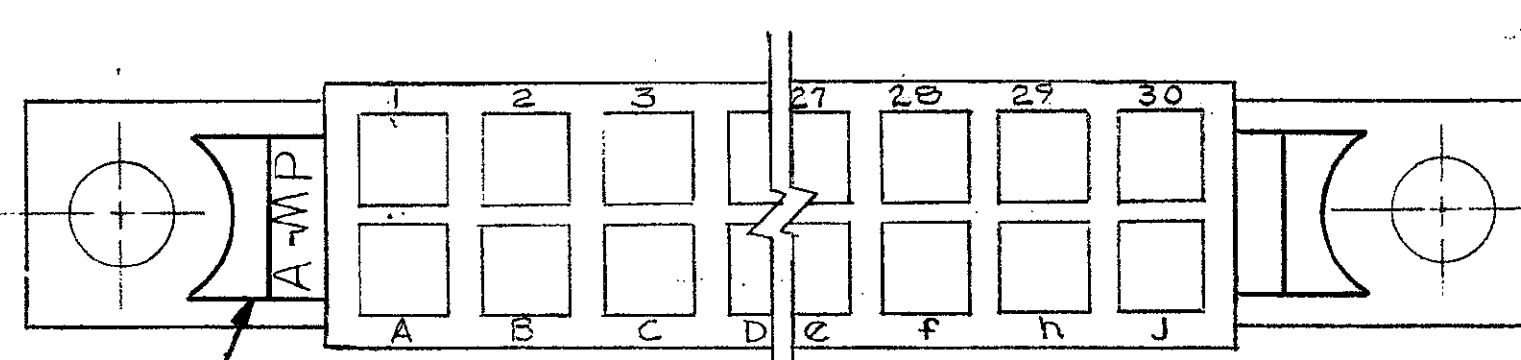
REVISIONS				
ZONE	LTR	DESCRIPTION	DATE	APPROVED
	01	RELEASED WAS 5112-256 CUST.	DR. 1-19-71	DR.
	A	REVISED MAT'L 4657	DR. 1-9-76	DR m.s.
	A1	ADDED -3 4783	m.s. 5-6-76	DR
	A2	REVISED 4920	m.s. 9-9-76	DR
	B	REV PER ADO70Z	5/3/85	CD/R/NS
	B1	REV PER AD 1087	2-7-86	
	C	REV PER AD 3180	1/89	W/R/DR
	D	REV PER 0010-0337-95	10-17-95	P.B./
	E	REV PER EC 0320-349-97	25 NOV 97	NS



583685-1.1. WITHOUT SPECIAL MARKING.
 OBSOLETE 583685-3.1. SAME AS 1 EXCEPT:
 SPECIAL MARKING.



HOT STAMP PART NO & DATE CODE, STAMPED IN THIS APPROX. AREA PER 119-9009.



1. .055 - .070 P.C BOARD THICKNESS.
 2. VOID CORING PERMISSIBLE AT AMP'S OPTION REF ONLY

UNLESS OTHERWISE SPECIFIED, DIMENSIONS ARE IN INCHES TOLERANCES ON : DECIMALS ±.005 ANGLES ±	CONTRACT NO.	AMP INCORPORATED HARRISBURG, PENNSYLVANIA	
	DR <i>Bumble 1-19-71</i>	NAME HOUSING, AMP LEAF, 30 POSITION, DUAL.	
	CHK <i>D.S. Koide 1-19-71</i>	SIZE C	CODE IDENT NO. 00779
	APPD <i>J. Kaufman 1-20-71</i>	NUMBER 583685	SHEET 1 of 1
MATERIAL GLASS FILLED NYLON OR POLYESTER COLOR: BLACK	REL <i>R. Shurman 1-21-71</i>	SCALE NTS	
	DSGN APPD	CUSTOMER DRAWING	
	OTHER APPD		