



Chipsmall Limited consists of a professional team with an average of over 10 year of expertise in the distribution of electronic components. Based in Hongkong, we have already established firm and mutual-benefit business relationships with customers from,Europe,America and south Asia,supplying obsolete and hard-to-find components to meet their specific needs.

With the principle of "Quality Parts,Customers Priority,Honest Operation,and Considerate Service",our business mainly focus on the distribution of electronic components. Line cards we deal with include Microchip,ALPS,ROHM,Xilinx,Pulse,ON,Everlight and Freescale. Main products comprise IC,Modules,Potentiometer,IC Socket,Relay,Connector.Our parts cover such applications as commercial,industrial, and automotives areas.

We are looking forward to setting up business relationship with you and hope to provide you with the best service and solution. Let us make a better world for our industry!



## Contact us

Tel: +86-755-8981 8866 Fax: +86-755-8427 6832

Email & Skype: info@chipsmall.com Web: www.chipsmall.com

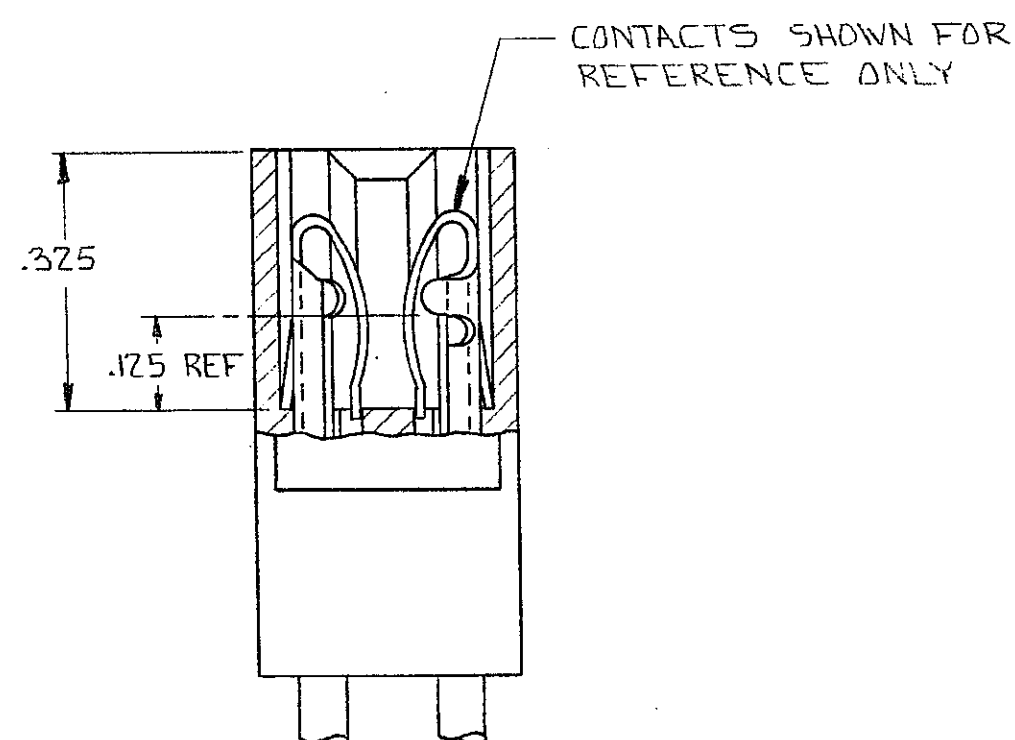
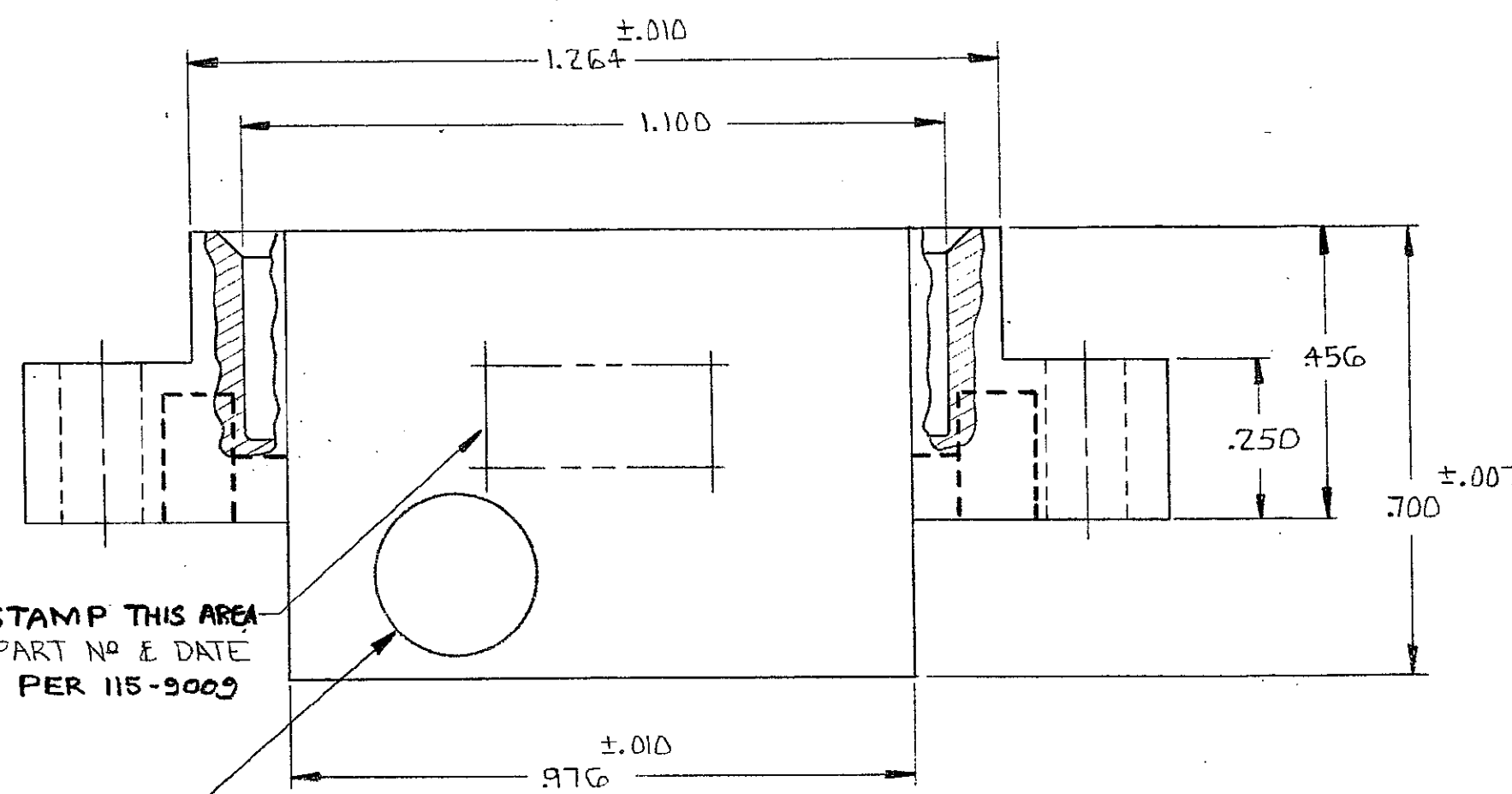
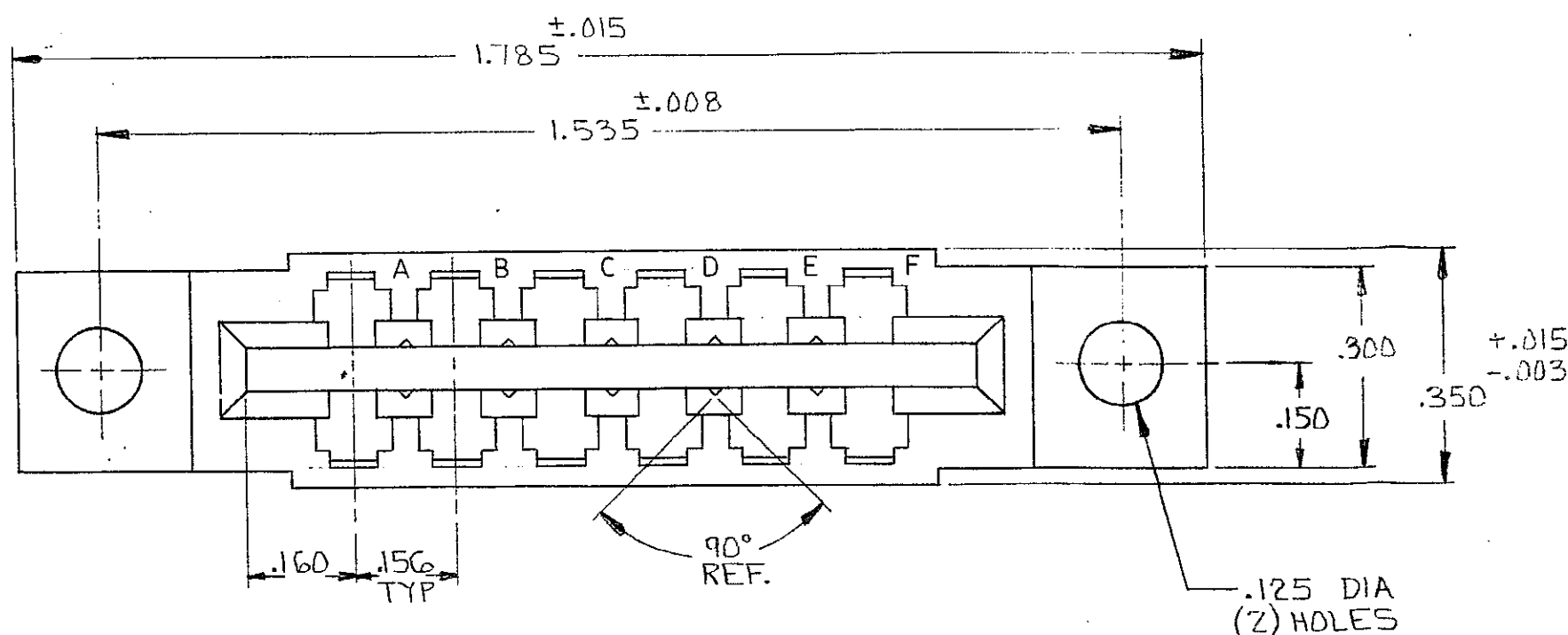
Address: A1208, Overseas Decoration Building, #122 Zhenhua RD., Futian, Shenzhen, China



© 1977 BY AMP INCORPORATED. ALL RIGHTS RESERVED. AMP PRODUCTS COVERED BY PATENTS AND/OR PATENTS PENDING.

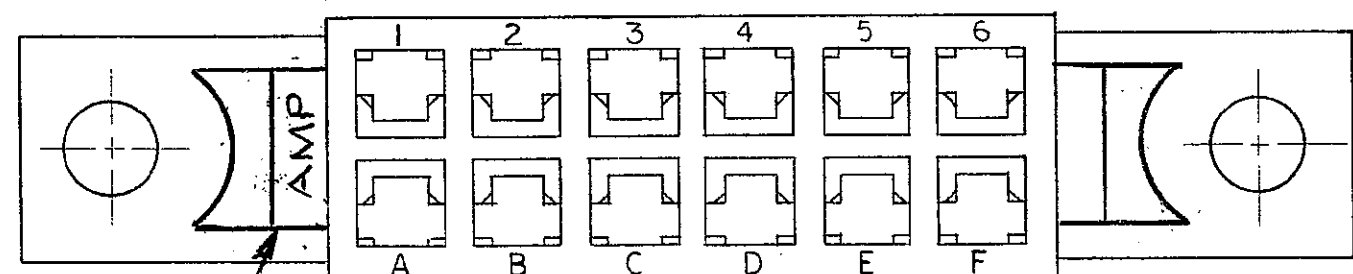
OBsolete ~~583722-1~~ 1. AS SHOWN  
~~583722-3~~ 1. SAME AS 1 EXCEPT  
WITH SPECIAL MARKING

REVISIONS				
ZONE	LTR	DESCRIPTION	DATE	APPROVED
	0	RELEASED WAS 5112-132-2 CUST.	J.W. 6-4-71	
	01	ADDED -2	4178 M.S. 7-3-74	M.Z.
	A	REVISED MAT'L.	4657 DR 1-9-76	DR.
	B	REVISED NOTE 2	7490 PZ 8-7-81	
	C	REV PER ADO702	9/14/85	CP
	D	REV PER AD 1735	7-22-89	LBW
	E	REV PER AD 3180	1/89	LLJ/HWR
	F	REV PER 0010-0337-95	10-17-95	P.B.
	G	REV PER EC 0320-349-97	25 NOV 97	NS



583722-3 ONLY

- 1. ACCEPTS .055 TO .070 THICK P.C. BOARD.
- △ .250 ±.015 DIA. WHITE DOT INK STAMPED IN LOWER LEFT HAND CORNER ON EITHER SIDE OF HOUSING
- △ VOID CORING PERMISSIBLE AT AMP'S OPTION REF ONLY



UNLESS OTHERWISE SPECIFIED, DIMENSIONS ARE IN INCHES TOLERANCES ON: DECIMALS ±.005 ANGLES ± #	CONTRACT NO.		<b>AMP</b> AMP INCORPORATED HARRISBURG, PENNSYLVANIA	
	DR	6/4/71		
	CHK	6/11/71	NAME	HOUSING, AMP LEAF, 6 POSITION, DUAL .156 E
	APPD	6/11/71	SIZE	C
MATERIAL HOUSING : GLASS FILLED NYLON OR POLYESTER COLOR: BLACK	REL	6-18-71	CODE IDENT NO.	00779
DSGN APPD	OTHER APPD	NUMBER	583722	
SCALE			SHEET 1 OF 1	

CUSTOMER DRAWING

NUMBER 583722