



Chipsmall Limited consists of a professional team with an average of over 10 year of expertise in the distribution of electronic components. Based in Hongkong, we have already established firm and mutual-benefit business relationships with customers from,Europe,America and south Asia,supplying obsolete and hard-to-find components to meet their specific needs.

With the principle of “Quality Parts,Customers Priority,Honest Operation,and Considerate Service”,our business mainly focus on the distribution of electronic components. Line cards we deal with include Microchip,ALPS,ROHM,Xilinx,Pulse,ON,Everlight and Freescale. Main products comprise IC,Modules,Potentiometer,IC Socket,Relay,Connector.Our parts cover such applications as commercial,industrial, and automotives areas.

We are looking forward to setting up business relationship with you and hope to provide you with the best service and solution. Let us make a better world for our industry!



Contact us

Tel: +86-755-8981 8866 Fax: +86-755-8427 6832

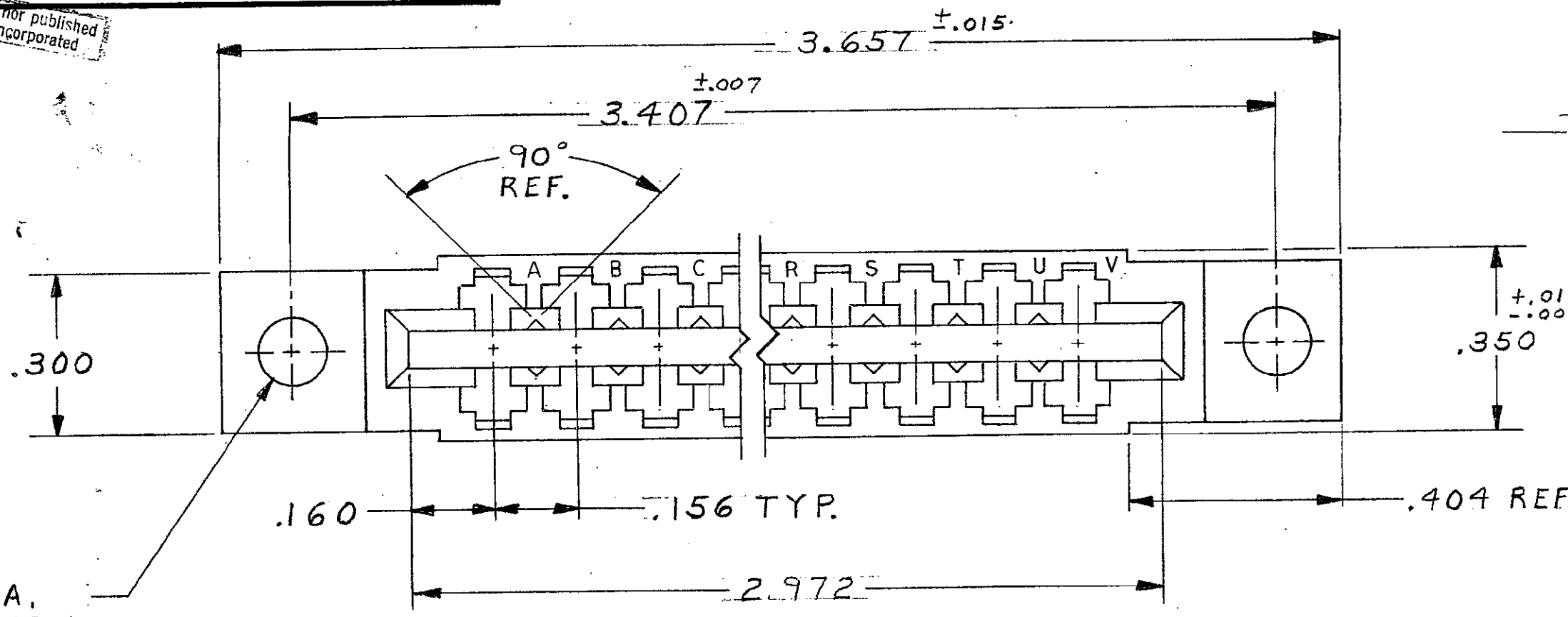
Email & Skype: info@chipsmall.com Web: www.chipsmall.com

Address: A1208, Overseas Decoration Building, #122 Zhenhua RD., Futian, Shenzhen, China

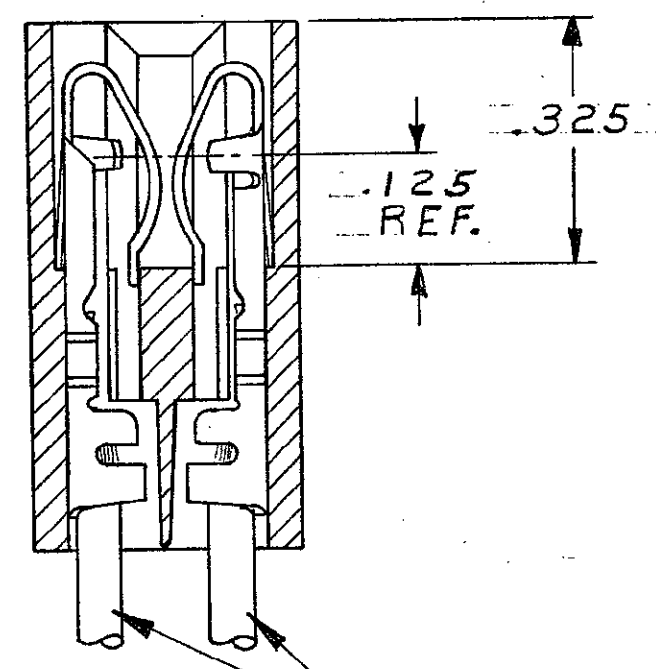
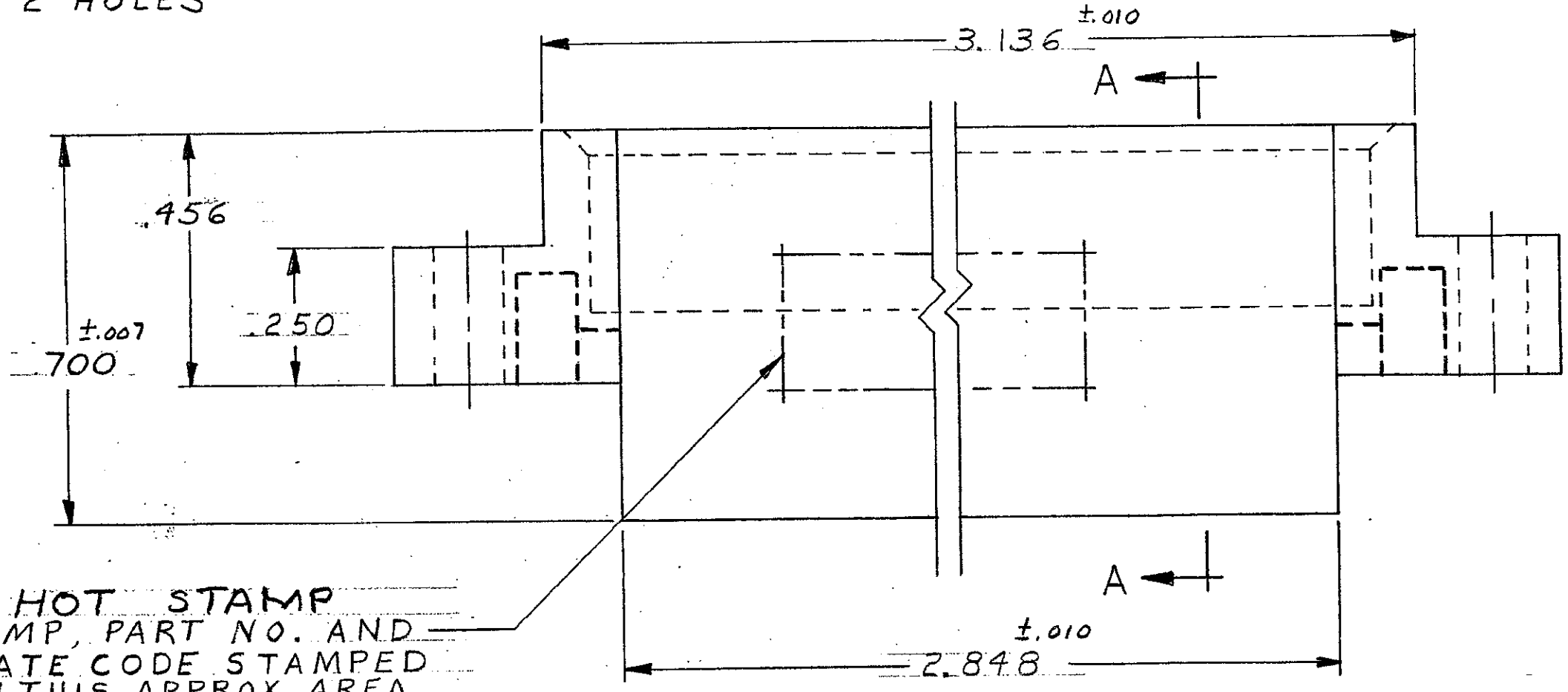


© 1970 BY AMP INCORPORATED. ALL RIGHTS RESERVED. AMP PRODUCTS COVERED BY PATENTS AND/OR PATENTS PENDING.

REVISIONS				
ZONE	LTR	DESCRIPTION	DATE	APPROVED
	01	ADDED - 3 WAS 5112-320-2 CUST. 3827 M.S.	6-8-73	M.Z.
	A	REVISED MAT'L 4657-	1-9-76	DR
	B	REV PER AD0702	5/14/85	CP / H.W. RELL
	C	REV PER AD 3180	1/89	AD / H.W. RELL
	D	REV PER 0010-0337-95	10-17-85	P.B.
	E	REV PER EC 0320-349-97	25 NOV 97	N/S
	E1	REVISED PER - ECO-09-026444	27NOV09	KK AEG

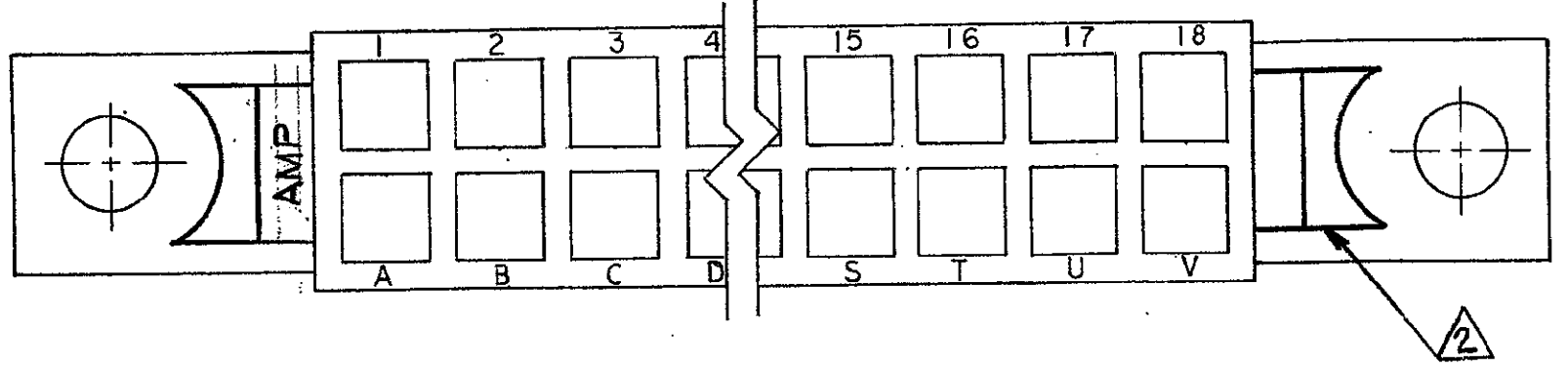


583725-1 1. AS SHOWN
~~583725-3 1. SAME AS -1 EXCEPT .156 DIA. MTG. HOLES.~~



SECT. A-A

HOT STAMP
 AMP, PART NO. AND
 DATE CODE STAMPED
 IN THIS APPROX. AREA.
 PER 115-9009.



- 1. 0.055 - 0.070 P.C. BOARD THICKNESS
- 2. VOID CORING PERMISSIBLE AT AMP'S OPTION REF ONLY
- 3. OBSOLETE PARTS: OBSOLETE CIS STREAMLINING PER D.RENAUD/D.SINISI

UNLESS OTHERWISE SPECIFIED, DIMENSIONS ARE IN INCHES TOLERANCES ON : DECIMALS ±.005 ANGLES ±	CONTRACT NO.	AMP INCORPORATED HARRISBURG, PENNSYLVANIA	
	DR <i>M. Smith</i> 10-1-70		
MATERIAL GLASS FILLED NYLON OR POLYESTER COLOR: BLACK.	CHK <i>D.S. Heide</i> 4/30/71	NAME HOUSING, AMP LEAF, 18 POSITION, DUAL.	
	APPD <i>J. Kaufman</i> 4/30/71	SIZE C	CODE IDENT NO. NUMBER 00779 583725
REL <i>R. Shawman</i> 4/30/71	DSGN APPD	SCALE 4-1	SHEET 1 OF 1
OTHER APPD	CUSTOMER DRAWING		