



Chipsmall Limited consists of a professional team with an average of over 10 year of expertise in the distribution of electronic components. Based in Hongkong, we have already established firm and mutual-benefit business relationships with customers from,Europe,America and south Asia,supplying obsolete and hard-to-find components to meet their specific needs.

With the principle of “Quality Parts,Customers Priority,Honest Operation,and Considerate Service”,our business mainly focus on the distribution of electronic components. Line cards we deal with include Microchip,ALPS,ROHM,Xilinx,Pulse,ON,Everlight and Freescale. Main products comprise IC,Modules,Potentiometer,IC Socket,Relay,Connector.Our parts cover such applications as commercial,industrial, and automotives areas.

We are looking forward to setting up business relationship with you and hope to provide you with the best service and solution. Let us make a better world for our industry!



Contact us

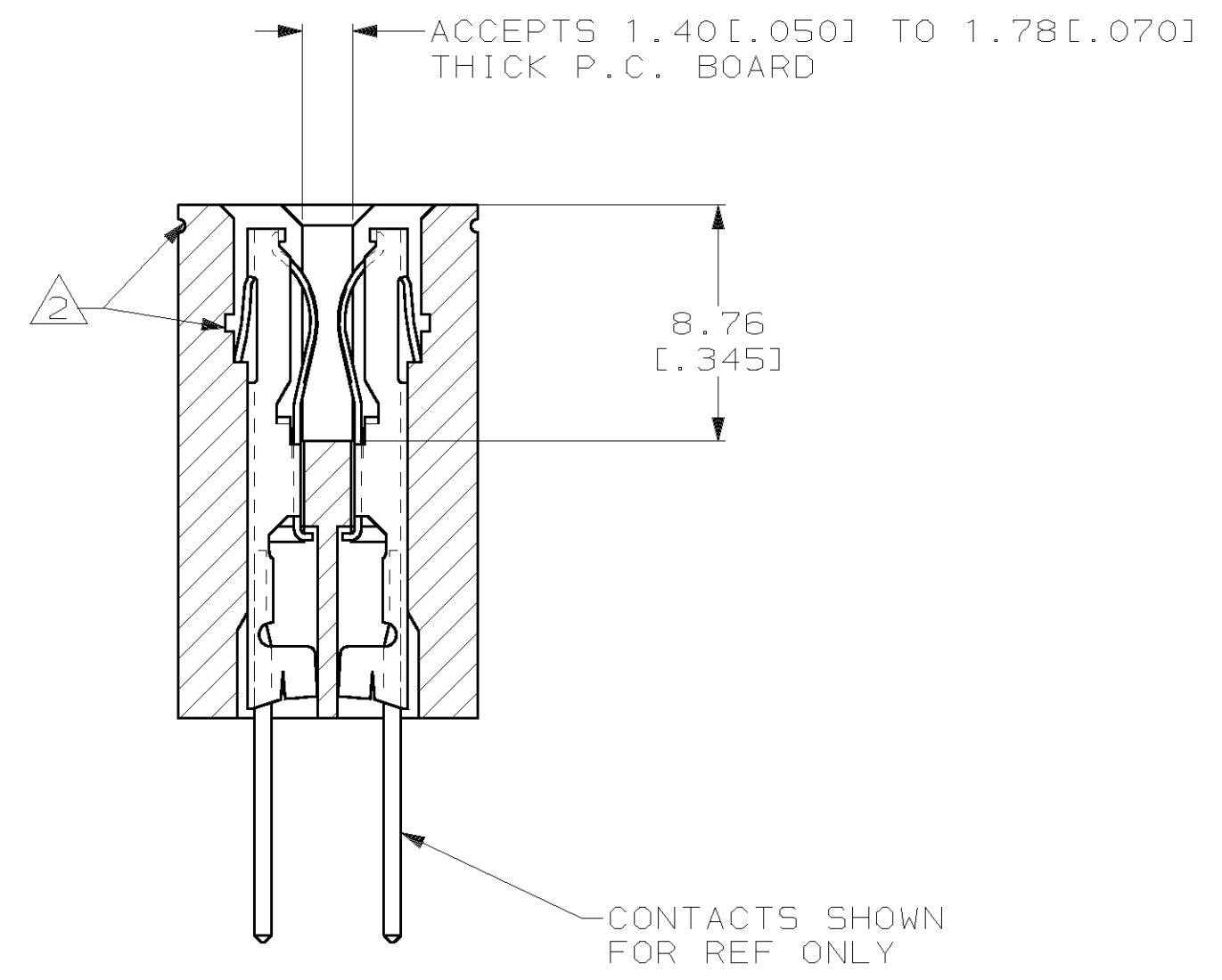
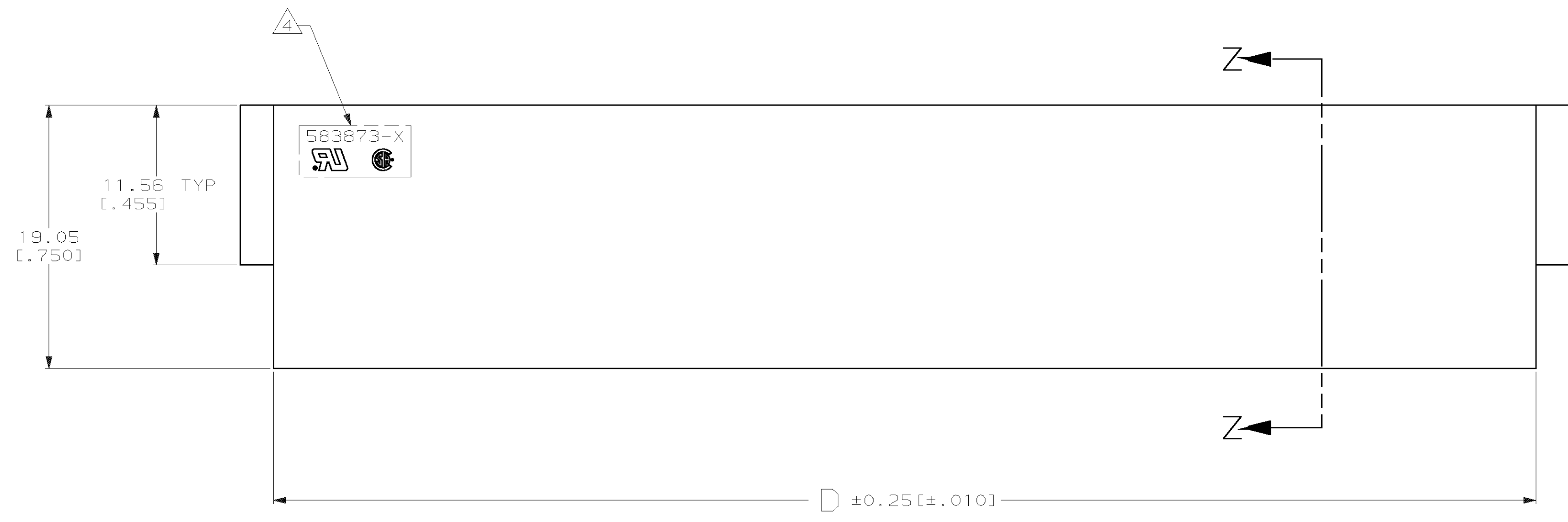
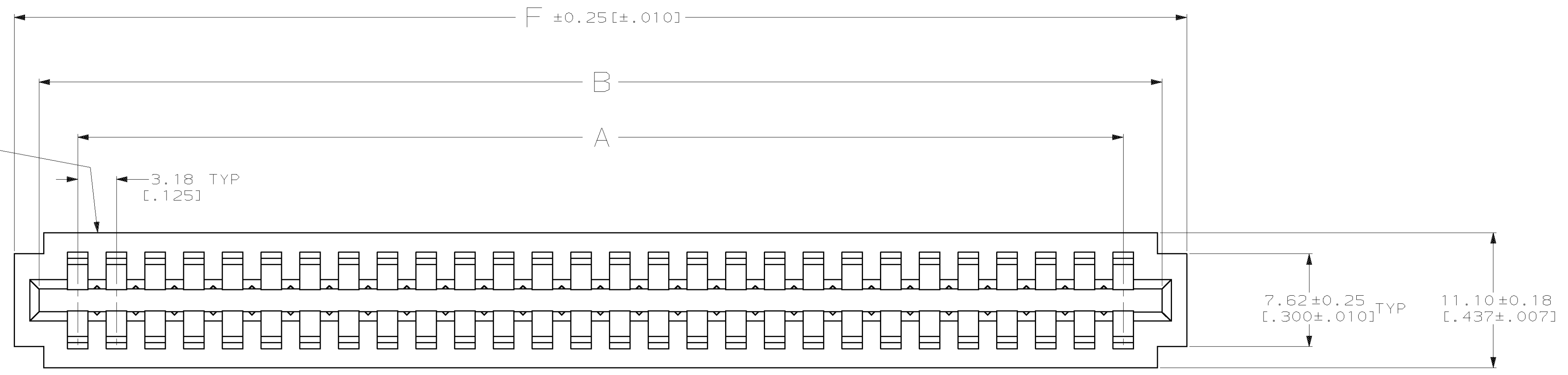
Tel: +86-755-8981 8866 Fax: +86-755-8427 6832

Email & Skype: info@chipsmall.com Web: www.chipsmall.com

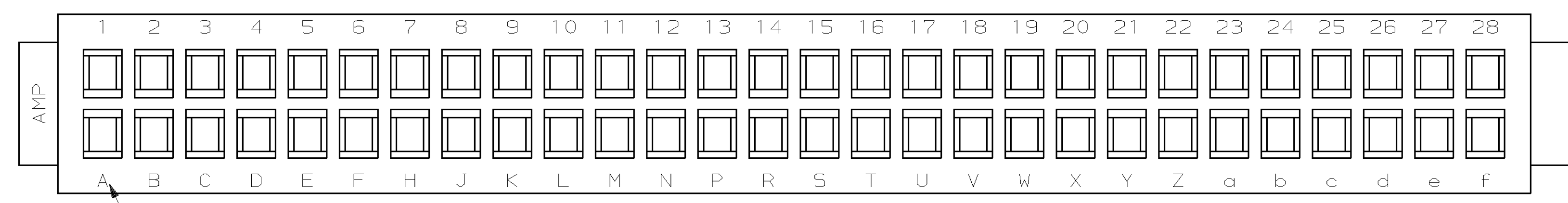
Address: A1208, Overseas Decoration Building, #122 Zhenhua RD., Futian, Shenzhen, China



LOC	DIST	P	F	ZONE	LTR	DESCRIPTION	DATE	APPD
AD	00							
					N	REDRAWN PER 0010-0052-94	3/4/94	HR
					P	REVISED PER 0010-0683-94	9/20/94	HR
					R	REVISED RER 0010-0812-95	9-22-95	PEB
					S	REVISED RER 0010-0862-95	9/27/95	RB HR
					T	REVISED PER 0010-0818-95	1-4-95	PB HR
					U	REV PER EC 0320-349-97	31 OCT 97	NS
					V	REV PER EC 0652-84-98	09 SEP 98	HR
					W	REV PER EC 0652-0008-99	03/08/99	CB



SECTION Z-Z



THIS DRAWING IS A CONTROLLED DOCUMENT FOR AMP INCORPORATED. IT IS SUBJECT TO CHANGE AND THE CONTROLLING ENGINEERING ORGANIZATION SHOULD BE CONTACTED FOR THE LATEST REVISION.

DO NOT SCALE PRINT. UNLESS SPECIFIED DIMENSIONS IN mm [INCHES] TOLERANCES - ON : 2 PLC DEC ± - 3 PLC DEC ± 0.13[.005] ANGLES ± -		DR 12-9-92 J GALLUCCI B6	PART NO		
MATERIAL GLASS FILLED POLYESTER COLOR: BLACK	APPD 3/4/94 H ROSE	APPD 3/4/94 M THUMMA	AMP AMP Incorporated Harrisburg, PA 17105-3508		
FINISH -	APPLICATION SPEC -	PRODUCT SPEC -	NAME HOUSING, CRIMP SNAP TWIN LEAF, .125¢ WITHOUT MOUNTING EARS		
	WEIGHT -	SCALE 4:1	SIZE D	CAGE CODE 00779	DRAWING NO C-583873
				SHEET 1 OF 2	

LOC		DIST		P		ZONE		LTR		REVISIONS		
AD	00									DESCRIPTION	DATE	APPD
										W SEE SHEET 1	-	-

- ① FIRST 22 POSITIONS MARKED WITH UPPER CASE LETTERS, FOLLOWED BY LOWER CASE LETTERS, FOLLOWED BY UPPERCASE AA, AB, AC ETC. CHARACTERS G, I, O AND Q ARE OMITTED.
- ② PULL GROOVES OPTIONAL THESE LOCATIONS REF ONLY.
- ③ HOUSING PART NUMBER, UL & CSA LOGO'S TO BE MOLDED IN THIS AREA. UL LOGO PER 1-18838-3, CSA LOGO PER 1-18839-3.
- ④ SPECIAL MARKING STAMPED BOTH SIDES FOR 2-583873-3
- ⑤ DATE CODE TO BE MOLDED IN THIS AREA



2-583783-3 ④

OBSOLETE	④	96.14	91.31	92.08	85.73	28	2-583783-3
		[3.785]	[3.595]	[3.625]	[3.375]		
OBSOLETE		102.49	97.66	98.43	92.08	30	2-583783-1
		[4.035]	[3.845]	[3.875]	[3.625]		
		146.94	142.11	142.88	136.53	44	1-583783-9
		[5.785]	[5.595]	[5.625]	[5.375]		
OBSOLETE		134.24	129.41	130.18	123.83	40	1-583783-7
		[5.285]	[5.095]	[5.125]	[4.875]		
OBSOLETE		105.66	100.84	101.60	95.25	31	1-583783-5
		[4.160]	[3.970]	[4.000]	[3.750]		
OBSOLETE		96.14	91.31	92.08	85.73	28	1-583783-3
		[3.785]	[3.595]	[3.625]	[3.375]		
OBSOLETE		86.61	81.79	82.55	76.20	25	1-583783-1
		[3.410]	[3.220]	[3.250]	[3.000]		
		77.09	72.26	73.03	66.68	22	583783-9
		[3.035]	[2.845]	[2.875]	[2.625]		
OBSOLETE		64.39	59.56	65.41	53.98	18	583783-7
		[2.535]	[2.345]	[2.575]	[2.125]		
		54.86	50.04	50.80	44.45	15	583783-5
		[2.160]	[1.970]	[2.000]	[1.750]		
OBSOLETE		38.99	34.16	34.93	28.58	10	583783-3
		[1.535]	[1.345]	[1.375]	[1.125]		
		26.29	21.46	22.23	15.88	6	583783-1
		[1.035]	[.845]	[.875]	[.625]		
		F	D	B	A	POSN	PART NUMBER

DO NOT SCALE PRINT. UNLESS SPECIFIED DIMENSIONS IN mm [INCHES]		DR 12-9-92 J GALLUCCI B6		AMP AMP Incorporated Harrisburg, PA 17105-3508	
TOLERANCES ON:	CHK 3/4/94 H ROSE	NAME			
2 PLC DEC ± -	APPD 3/4/94 H ROSE	HOUSING, CRIMP SNAP TWIN LEAF, .125¢ WITHOUT MOUNTING EARS			
3 PLC DEC ± -	APPD 3/4/94 M THUMMA	SIZE	CAGE CODE	DRAWING NO	
ANGLES ± -	PRODUCT SPEC	D	00779	C-583873	
		WEIGHT	SCALE	SHEET	
		-	4:1	20F2	

THIS DRAWING IS A CONTROLLED DOCUMENT FOR AMP INCORPORATED. IT IS SUBJECT TO CHANGE AND THE CONTROLLING ENGINEERING ORGANIZATION SHOULD BE CONTACTED FOR THE LATEST REVISION.