



Chipsmall Limited consists of a professional team with an average of over 10 year of expertise in the distribution of electronic components. Based in Hongkong, we have already established firm and mutual-benefit business relationships with customers from,Europe,America and south Asia,supplying obsolete and hard-to-find components to meet their specific needs.

With the principle of “Quality Parts,Customers Priority,Honest Operation,and Considerate Service”,our business mainly focus on the distribution of electronic components. Line cards we deal with include Microchip,ALPS,ROHM,Xilinx,Pulse,ON,Everlight and Freescale. Main products comprise IC,Modules,Potentiometer,IC Socket,Relay,Connector.Our parts cover such applications as commercial,industrial, and automotives areas.

We are looking forward to setting up business relationship with you and hope to provide you with the best service and solution. Let us make a better world for our industry!



Contact us

Tel: +86-755-8981 8866 Fax: +86-755-8427 6832

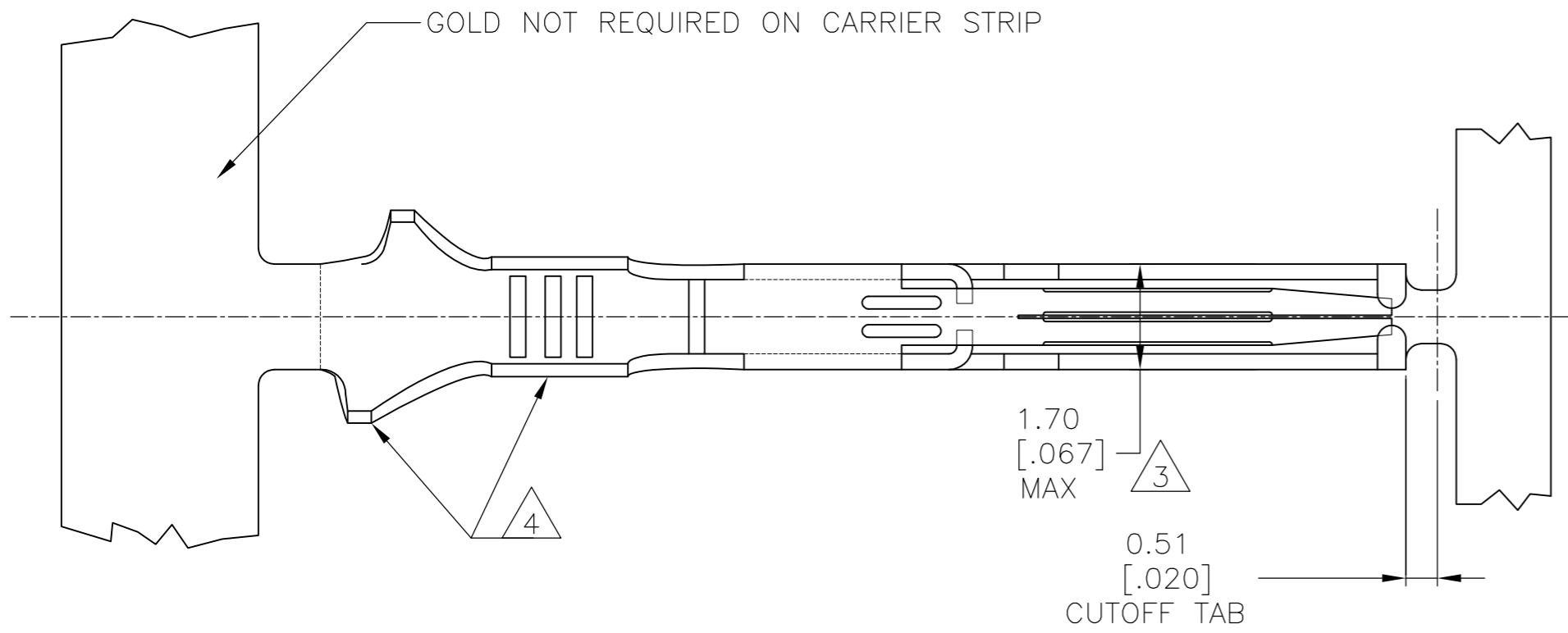
Email & Skype: info@chipsmall.com Web: www.chipsmall.com

Address: A1208, Overseas Decoration Building, #122 Zhenhua RD., Futian, Shenzhen, China

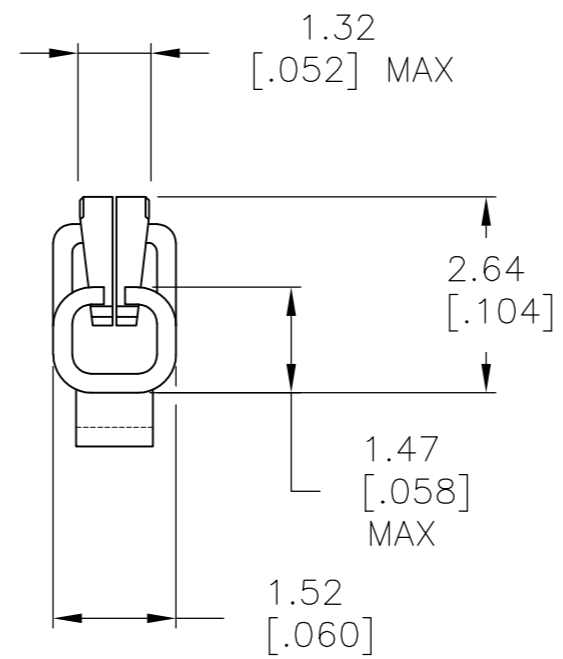
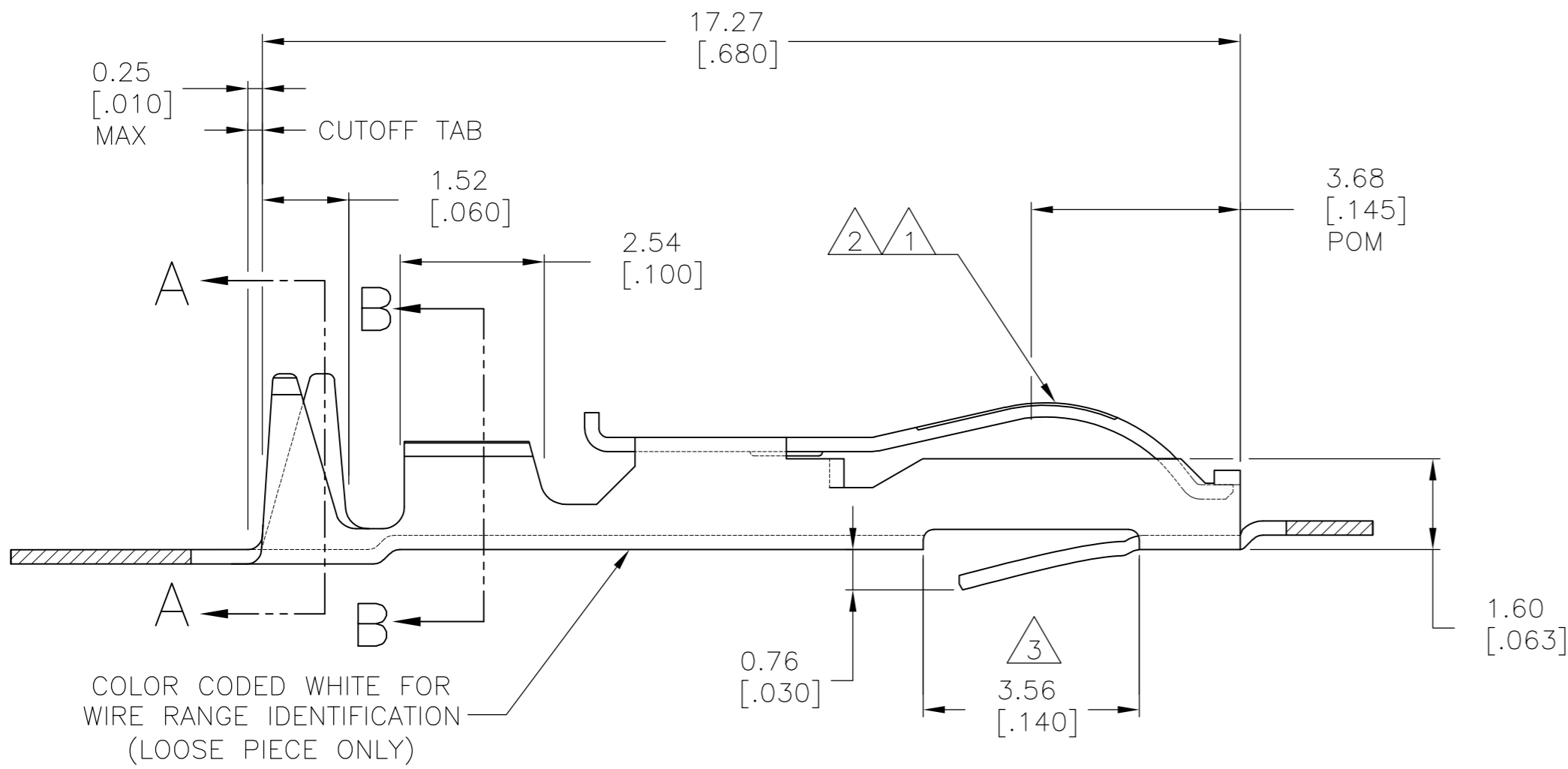


THIS DRAWING IS UNPUBLISHED. RELEASED FOR PUBLICATION
 © COPYRIGHT BY TYCO ELECTRONICS CORPORATION. ALL RIGHTS RESERVED.

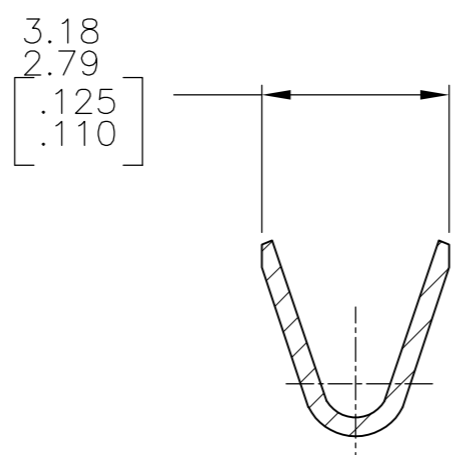
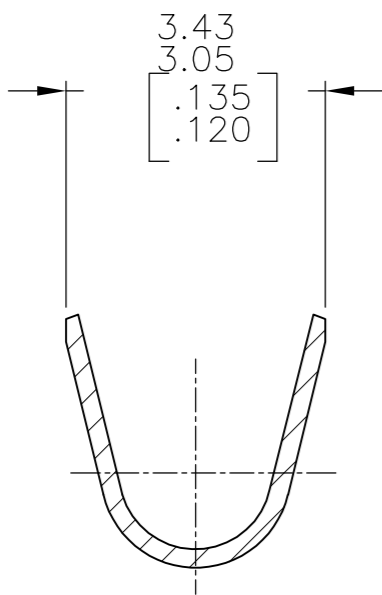
LOC		DIST		REVISIONS			
P	LTR	DESCRIPTION		DATE	DWN	APVD	
	N1	REVISED PER ECO-10-000443		15JAN10	KK	AEG	



- 1 .000050 GOLD OVER .000050 NICKEL IN CONTACT AREA. REMAINDER OF CONTACT GOLD FLASH OVER NICKEL.
- 2 .000030 GOLD OVER .000030 NICKEL IN CONTACT AREA. REMAINDER OF CONTACT GOLD FLASH OVER NICKEL.
- 3 .067 MAX ALLOWED IN LOCKING LATCH AREA FOR .140 REF LENGTH.
- 4 TIN-LEAD IN CRIMP AREA.
- 5 OBSOLETE
- 6 CRIMP TWIN LEAF CONTACTS WITH 20-16 AWG WIRE RANGE TO BE USED ONLY WITH .125CL & 156 CL CRIMP TWIN LEAF HOUSINGS.
- 7 TIN IN CRIMP AREA.



COLOR CODED WHITE FOR WIRE RANGE IDENTIFICATION (LOOSE PIECE ONLY)



5-583875-5	-	2 7	5-583875-6
583875-5	-	2 4	583875-6
583875-2	583875-4	1	583875-3
STRIP PART # STD REELING LEFT TO RIGHT	STRIP PART # REELING RIGHT TO LEFT	FINISH	LOOSE PIECE

THIS DRAWING IS A CONTROLLED DOCUMENT.

DIMENSIONS: mm [INCHES]	TOLERANCES UNLESS OTHERWISE SPECIFIED:	DWN: A. STAUB BG 02AUG93	CHK: H ROSE 07MAR94	APVD: H ROSE 07MAR94	NAME: CONTACT-TWIN LEAF (CRIMP-SNAP)
0 PLC ± - 1 PLC ± - 2 PLC ± - 3 PLC ± .005 4 PLC ± - ANGLES ± -		APPLICATION SPEC		SIZE: A2 CAGE CODE: 00779 DRAWING NO: C=583875	
MATERIAL: PHOS BRONZE	FINISH: SEE TABLE	WEIGHT: -		RESTRICTED TO: -	
CUSTOMER DRAWING				SCALE: 10:1	SHEET: 1 OF 1

SECTION A-A
INSULATION RANGE
.073-.090 DIA

SECTION B-B
WIRE RANGE
#16-#20