



Chipsmall Limited consists of a professional team with an average of over 10 year of expertise in the distribution of electronic components. Based in Hongkong, we have already established firm and mutual-benefit business relationships with customers from,Europe,America and south Asia,supplying obsolete and hard-to-find components to meet their specific needs.

With the principle of “Quality Parts,Customers Priority,Honest Operation,and Considerate Service”,our business mainly focus on the distribution of electronic components. Line cards we deal with include Microchip,ALPS,ROHM,Xilinx,Pulse,ON,Everlight and Freescale. Main products comprise IC,Modules,Potentiometer,IC Socket,Relay,Connector.Our parts cover such applications as commercial,industrial, and automotives areas.

We are looking forward to setting up business relationship with you and hope to provide you with the best service and solution. Let us make a better world for our industry!



## Contact us

Tel: +86-755-8981 8866 Fax: +86-755-8427 6832

Email & Skype: info@chipsmall.com Web: www.chipsmall.com

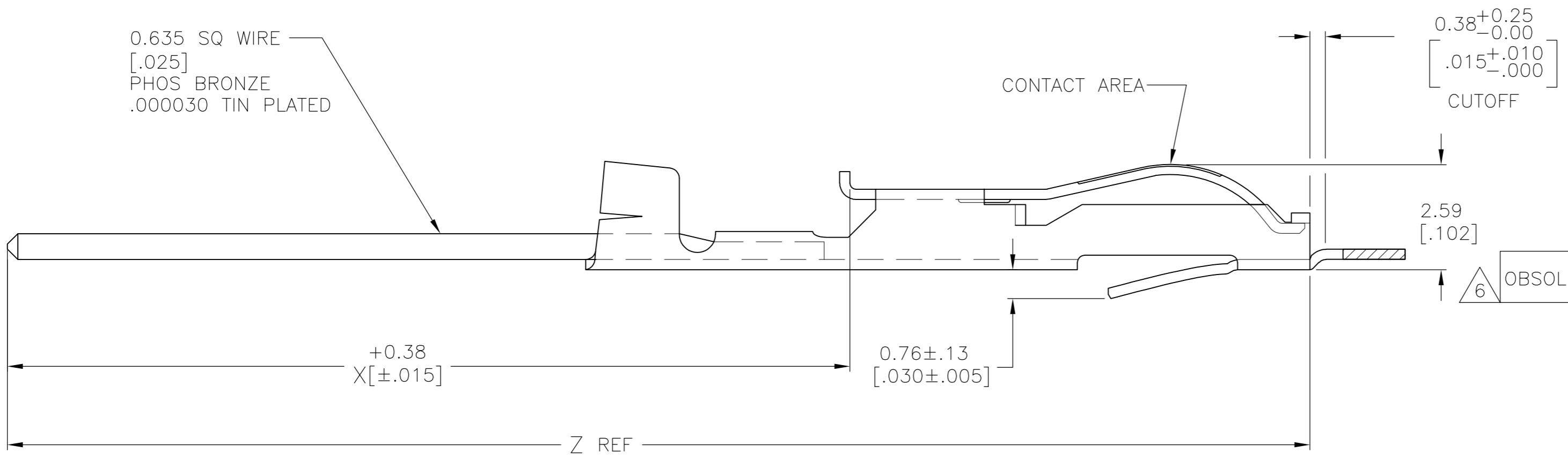
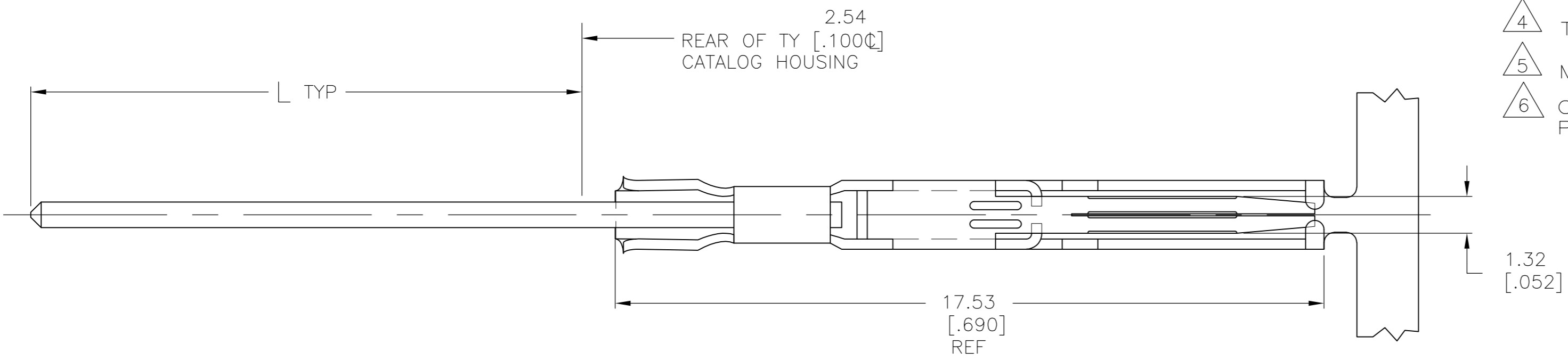
Address: A1208, Overseas Decoration Building, #122 Zhenhua RD., Futian, Shenzhen, China



THIS DRAWING IS UNPUBLISHED. RELEASED FOR PUBLICATION  
 © COPYRIGHT BY TYCO ELECTRONICS CORPORATION. ALL RIGHTS RESERVED.

LOC	DIST	REVISIONS					
AD	00	P	LTR	DESCRIPTION	DATE	DWN	APVD
		M1		REVISED PER ECO-09-024927	06NOV09	KK	AEG

- 1 .000015 GOLD OVER .000030 NICKEL IN CONTACT AREA, REMAINDER OF CONTACT IS NICKEL PLATED.
- 2 .000050 GOLD OVER .000030 NICKEL IN CONTACT AREA, REMAINDER OF CONTACT IS NICKEL PLATED.
- 3 OBSOLETE
- 4 TIN-LEAD PLATED
- 5 MATTE TIN PLATED
- 6 OBSOLETE PARTS: OBSOLETE CIS STREAMLINING PER D.RENAUD/D.SINISI



1	17.78 [.700]	24.87 [.969]	36.17 [1.424]	5-583879-9
1	9.02 [.355]	16.13 [.635]	27.43 [1.080]	5-583879-8
1	13.59 [.535]	20.32 [.800]	31.62 [1.245]	5-583879-6
1	13.59 [.535]	20.32 [.800]	31.62 [1.245]	5-583879-4
1	4.32 [.170]	11.46 [.451]	22.76 [.896]	5-583879-2
6	4.32 [.170]	11.46 [.451]	22.76 [.896]	5-583879-1
1	17.78 [.700]	24.87 [.979]	36.17 [1.424]	583879-9
1	9.02 [.355]	16.13 [.635]	27.43 [1.080]	583879-8
1	13.59 [.535]	20.32 [.800]	31.62 [1.245]	3 4 583879-7
1	13.59 [.535]	20.32 [.800]	31.62 [1.245]	4 583879-6
1	13.59 [.535]	20.32 [.800]	31.62 [1.245]	4 583879-4
1	4.32 [.170]	11.46 [.451]	22.76 [.896]	4 583879-2
1	4.32 [.170]	11.46 [.451]	22.76 [.896]	4 583879-1
FINISH	L	X	Z	PART NUMBER

THIS DRAWING IS A CONTROLLED DOCUMENT.

DWN: A. STAUB BG 02AUG93  
 CHK: H ROSE 07MAR94  
 APVD: H ROSE 07MAR94

TOLERANCES UNLESS OTHERWISE SPECIFIED:  
 0 PLC ± -  
 1 PLC ± -  
 2 PLC ± -  
 3 PLC ± -  
 4 PLC ± -  
 ANGLES ± -

MATERIAL: PHOS BRONZE  
 FINISH: SEE TABLE

NAME: CONTACT, CRIMP TWIN LEAF, WITH .025 SQ POST

SIZE: A2  
 CAGE CODE: 00779  
 DRAWING NO: C=583879

RESTRICTED TO: -

CUSTOMER DRAWING  
 SCALE: 10:1  
 SHEET: 1 OF 1  
 REV: M1

D  
C  
B  
A