



Chipsmall Limited consists of a professional team with an average of over 10 year of expertise in the distribution of electronic components. Based in Hongkong, we have already established firm and mutual-benefit business relationships with customers from,Europe,America and south Asia,supplying obsolete and hard-to-find components to meet their specific needs.

With the principle of “Quality Parts,Customers Priority,Honest Operation,and Considerate Service”,our business mainly focus on the distribution of electronic components. Line cards we deal with include Microchip,ALPS,ROHM,Xilinx,Pulse,ON,Everlight and Freescale. Main products comprise IC,Modules,Potentiometer,IC Socket,Relay,Connector.Our parts cover such applications as commercial,industrial, and automotives areas.

We are looking forward to setting up business relationship with you and hope to provide you with the best service and solution. Let us make a better world for our industry!



Contact us

Tel: +86-755-8981 8866 Fax: +86-755-8427 6832

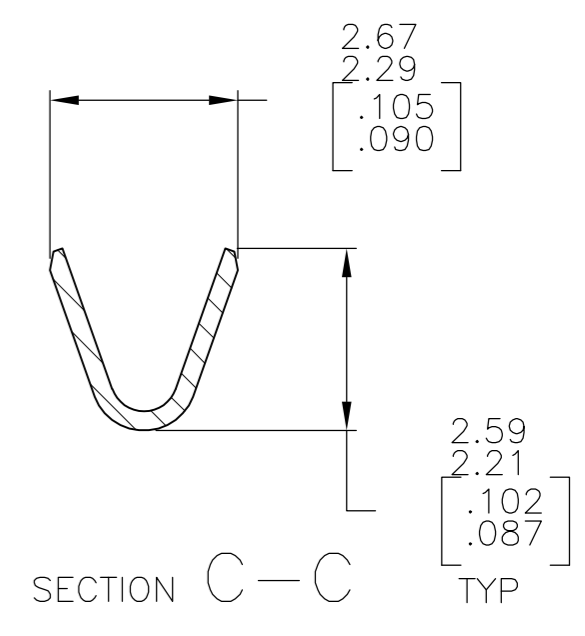
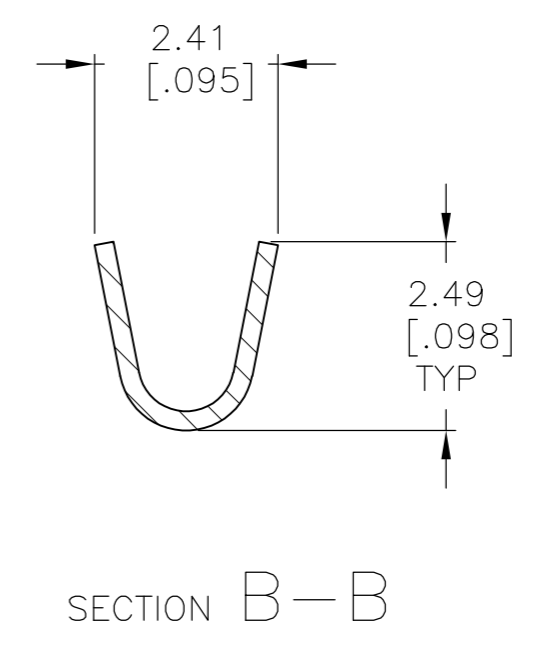
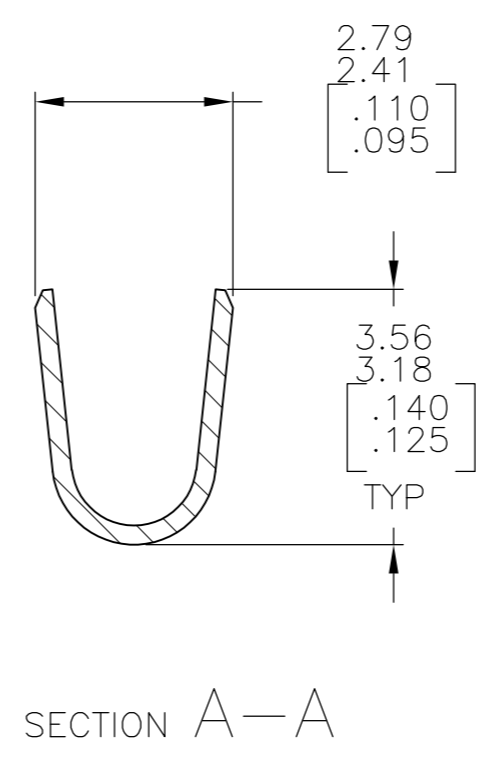
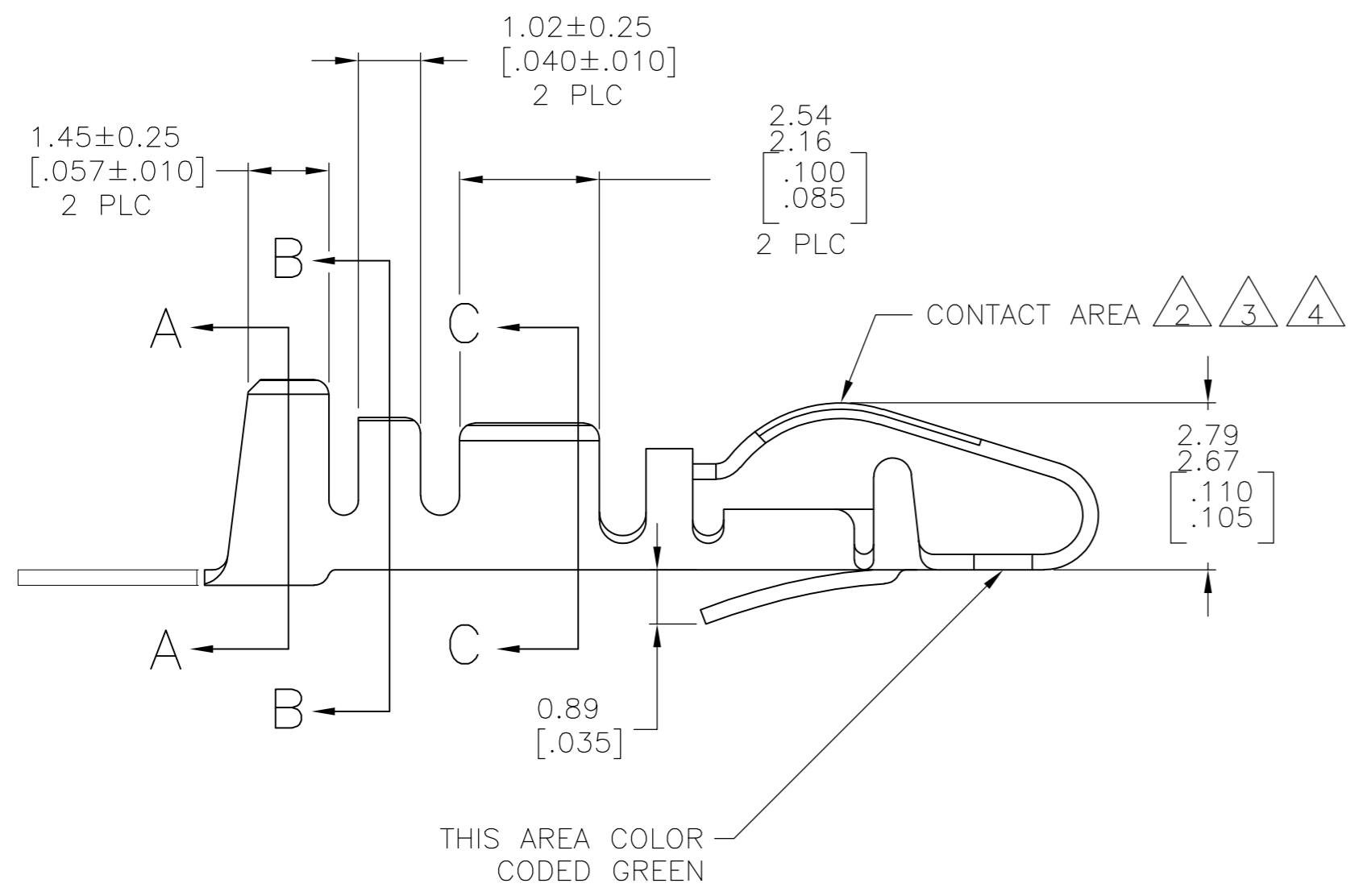
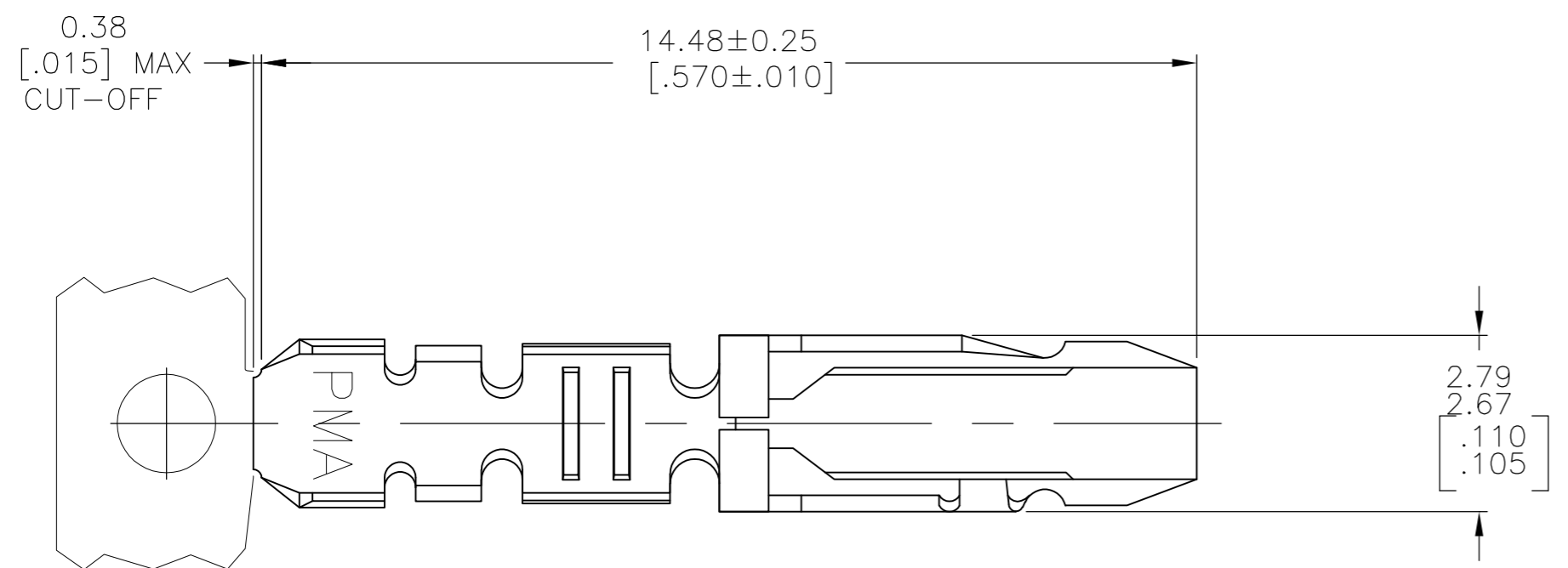
Email & Skype: info@chipsmall.com Web: www.chipsmall.com

Address: A1208, Overseas Decoration Building, #122 Zhenhua RD., Futian, Shenzhen, China



THIS DRAWING IS UNPUBLISHED. RELEASED FOR PUBLICATION
 © COPYRIGHT BY TYCO ELECTRONICS CORPORATION. ALL RIGHTS RESERVED.

LOC	DIST	REVISIONS			
P	LTR	DESCRIPTION	DATE	DWN	APVD
J		ECO-05-004683	19JAN06	BSV	MM
J1		REVISED PER ECO-09-021510	12SEP09	KK	AEG



- 1 PHOSPHOR BRONZE.
- 2 2.54µm[.000100] MIN TIN-LEAD OVER 1.27µm[.000050] MIN NICKEL.
- 3 0.76µm[.000030] MIN GOLD IN CONTACT AREA, GOLD FLASH ON REMAINDER OF CONTACT, BOTH OVER 1.27µm[.000050] MIN NICKEL.
- 4 0.38µm[.000015] MIN GOLD IN CONTACT AREA OVER 1.27µm[.000050] MIN NICKEL.
- 5. INSULATION RANGE: 1.40-2.03[.055-.080] DIA.
- 6 2.54µm[.000100] MIN MATTE TIN PLATE OVER 1.27µm[.000050] MIN NICKEL.
- 7 OBSOLETE PARTS: OBSOLETE CIS STREAMLINING PER D.RENAUD/D.SINISI

OBSOLETE	6	5-583989-2
	4	583989-4
	3	583989-3
OBSOLETE	2	583989-2
FINISH		PART NUMBER

THIS DRAWING IS A CONTROLLED DOCUMENT.		DWN D.HARDY 28 AUG 97	Tyco Electronics Corporation Harrisburg, Pa 17105-3608	
DIMENSIONS: mm		CHK R.STONE 04 SEP 97	NAME CONTACT, 22-18 AWG, AMP-LEAF TM	
TOLERANCES UNLESS OTHERWISE SPECIFIED:		APVD N.SCHROLL 05 SEP 97	SIZE A2 CAGE CODE 00779 DRAWING NO C=583989 RESTRICTED TO	
0 PLC ± -		PRODUCT SPEC -	SCALE 10:1 SHEET 1 OF 1 REV J1	
1 PLC ± -		APPLICATION SPEC -		
2 PLC ± 0.13 [.005]		WEIGHT -		
3 PLC ± -		CUSTOMER DRAWING		
4 PLC ± -				
ANGLES ± -				
FINISH SEE TABLE				

583989

A