



Chipsmall Limited consists of a professional team with an average of over 10 year of expertise in the distribution of electronic components. Based in Hongkong, we have already established firm and mutual-benefit business relationships with customers from,Europe,America and south Asia,supplying obsolete and hard-to-find components to meet their specific needs.

With the principle of “Quality Parts,Customers Priority,Honest Operation,and Considerate Service”,our business mainly focus on the distribution of electronic components. Line cards we deal with include Microchip,ALPS,ROHM,Xilinx,Pulse,ON,Everlight and Freescale. Main products comprise IC,Modules,Potentiometer,IC Socket,Relay,Connector.Our parts cover such applications as commercial,industrial, and automotives areas.

We are looking forward to setting up business relationship with you and hope to provide you with the best service and solution. Let us make a better world for our industry!



## Contact us

Tel: +86-755-8981 8866 Fax: +86-755-8427 6832

Email & Skype: info@chipsmall.com Web: www.chipsmall.com

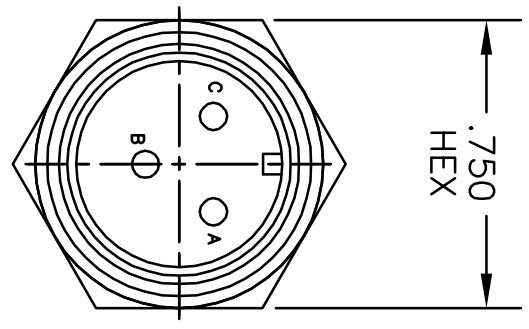
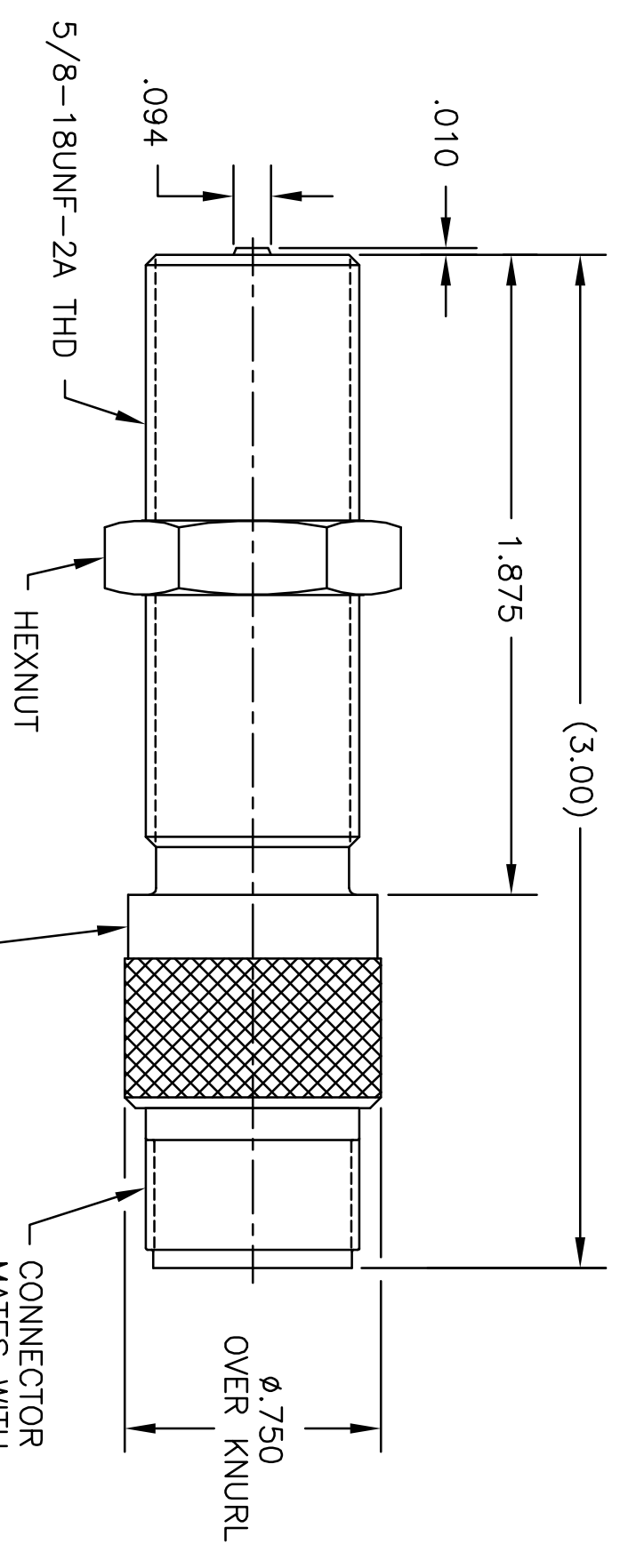
Address: A1208, Overseas Decoration Building, #122 Zhenhua RD., Futian, Shenzhen, China



ELECTRICAL CHARACTERISTICS @ 25°C			
PARAMETER	MIN	MAX	UNIT
SUPPLY VOLTAGE	10	30	V
SUPPLY CURRENT	-	24	mA
OUTPUT VOLTAGE LOW	-	600	mV
OUTPUT VOLTAGE HIGH	-	V <sub>cc</sub>	V
DUTY CYCLE	20	80	%
OPERATING TEMP	-40	80	°C
OPERATING GAP	-	IN	SEE SENSITIVITY CURVES
MAX SINK CURRENT	-	80	mA
FREQUENCY RESPONSE	0	10	KHz
OUTPUT LEAKAGE CURRENT	-	15	nA
REVERSE POLARITY:	30	VDC	V <sub>cc</sub> = V <sub>OUT</sub> = 30V
INSTALLATION TORQUE	-	20	FT-LB

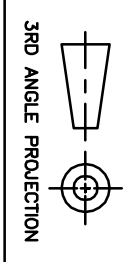
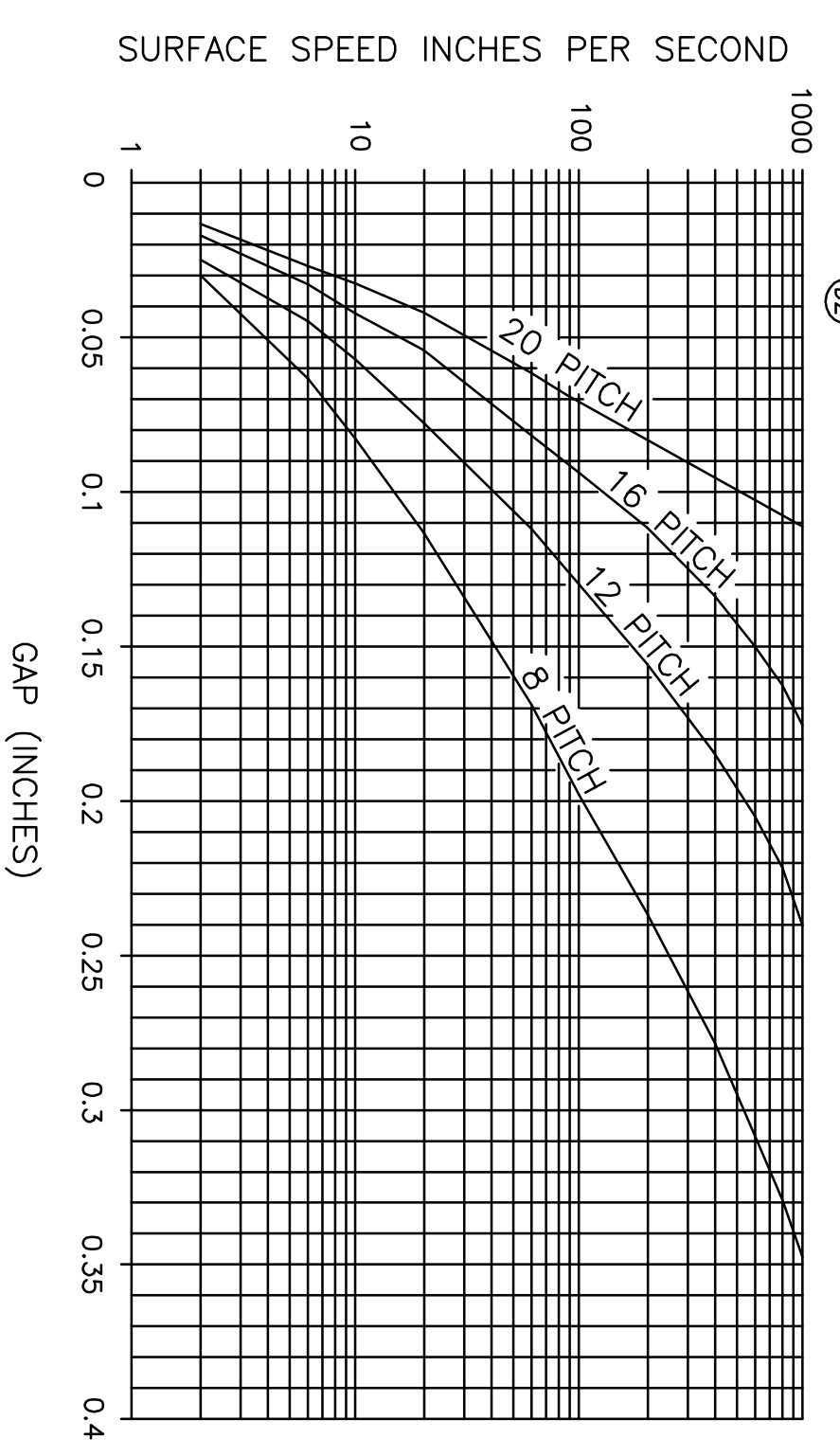
- NOTES:  
 1. FINAL TEST 100% & RECORD PER 109486.  
 2. FINAL TEST GAP: .110 WITH A 20 PITCH GEAR. (B) (D)

REVISIONS				
ZONE	REV.	DESCRIPTION	DATE	APPROVED
A	1	PRODUCTION RELEASE CNT13925	7/25/95	JJA
B	1	.105 GAP WAS .130 CNT15052	2/9/96	PEP
C	1	DEL PER 109333	5/20/98	QEQ
D1	1	TEST GAP .110 WAS .105 CNT0578	11/10/98	QEQ
D2	1	REVISED SENSITIVITY CURVES		QEQ



PIN A = + SUPPLY  
 PIN B = - SUPPLY  
 PIN C = OUTPUT

SENSITIVITY CURVES @ ROOM TEMP. (TYPICAL)



UNLESS OTHERWISE SPECIFIED  
 DIMENSIONS ARE IN INCHES  
 XX DECIMAL ± .010  
 XX FRACTIONS ± .005  
 FRACTIONS ± 1/32  
 ANGLES ± 5'  
 ROUNDS TO .008 FIN  
 1/2" MACHINED PARTS  
 CHECK SHARP CORNERS  
 .005/.015 NO BURS

DO NOT SCALE DRAWING	
CHKD.	Q.C.
ENGR.	MAP
MFG.	CLK
APPROVAL BY ELECTRO CORPORATION.	

DRAWN		KLS		9/7/94	
CHKD.	QEQ	ENGR.	JJA	MFG.	MAP
MFG.	MAP	APPROVAL BY ELECTRO CORPORATION.			

ELECTRO CORPORATION		MODEL DWG. NO.		58426HV	
SIZE	FSCM NO.	SCALE	2-1	DRAWING INTERPRETATION	SHEET 1 OF 1
81692					

MODEL DWG. NO.	58426HV
REV	D
SH	1

UNCONTROLLED COPY. REVISIONS WILL NOT BE AUTOMATICALLY UPDATED. CONFIRM APPROPRIATE REVISION LEVEL WITH ELECTRO CORPORATION.